



SPY TRACKER TAG™

Protect your stuff AND find your stuff!

Ages 6 and up
10534

Requires 2-AAA (LR03) batteries, not included
AND 2-CR2032 Coin Cell batteries, included

IMPORTANT: Please read this instruction sheet carefully and keep it for future reference.

The Spy Tracker Tag comes with One Tracker Tag Receiver and Two Tracker Tags (transmitters) (See Fig 1).

How to use Tracker Tags in ALARM Mode: (to PROTECT Your Stuff)

Step 1: Turn on the Tracker Tag Receiver and move the switch to the A (Alarm) position. Then turn on one or both Tracker Tags you wish to use (See Fig 2).

Hint: you can use both Tracker Tags at the same time in Alarm mode!

Step 2: Now your Tracker Tag is sending a live signal to the Tracker Tag Receiver. You can place the Tracker Tag on your Backpack, Smartphone, Pet, Lunchbox or anything you want to protect!

Step 3: Keep the Tracker Tag Receiver close to you and Listen for the beeping Alarm and flashing LED Light to alert you that your Tracker Tag is on the move (and so must be your very important possession)....NOW GO CATCH THE THIEF!

Tip #1: When the Tracker Tags are within 1 to 5 meters away (3-16 feet) then the Tag is in the "safe zone" but if the Tag moves beyond that distance the alarm will start to beep...now you can protect your stuff even when it is out of sight!

Tip #2: the Tracker Tags work best within 20 meters (65 feet) of the Tracker Tag Receiver.

How to use Tracker Tags in SEARCH Mode: (to FIND Your Stuff)

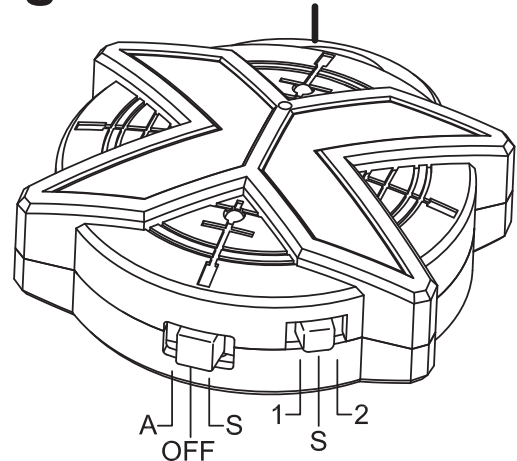
Step 1: Synchronize a Tracker Tag with the receiver by first turning on the Tracker Tag #1 and then turn on the Tracker Tag Receiver "Tag selector switch" to the #1 Tag position. The Tracker Tag will blink rapidly until it is synchronized. When it stops blinking set the Tracker Tag Receiver Mode switch to the S (SEARCH) position (See Fig 2).

Step 2: Now your Tracker Tag is sending a live signal to the Tracker receiver. You can place the Tracker Tag on People, Pets, or Things and then Track them or even Find them by following the Beeping signal.

Step 3: Holding the Tracker Tag Receiver in your hand, start walking in any direction. If you are getting closer to the Tracker Tag the Receiver will Beep more frequently to let you know you are going in the right direction (Have you ever played the game of Hot & Cold?). 1 Beep means you are far away, 2 beeps means you are getting closer, Listen carefully for the Steady Beeping and you are now very, very close and you have found the Tracker Tag (it is within 1 meter of you).

Tip: the Tracker Tags work best in the SEARCH mode within 20 meters of the Tracker Tag receiver.

Fig 1 Tracker Tag Receiver



Tracker Tags

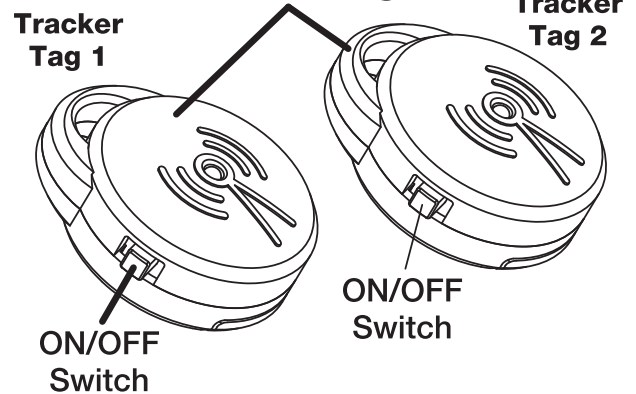
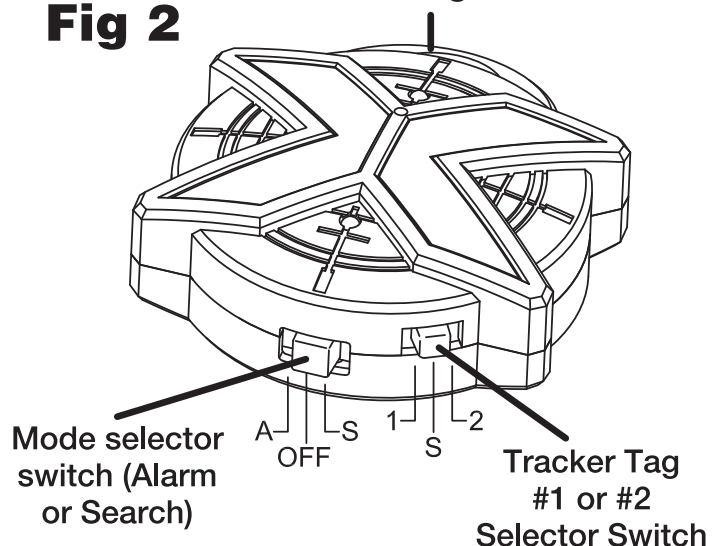


Fig 2

Tracker Tag Receiver



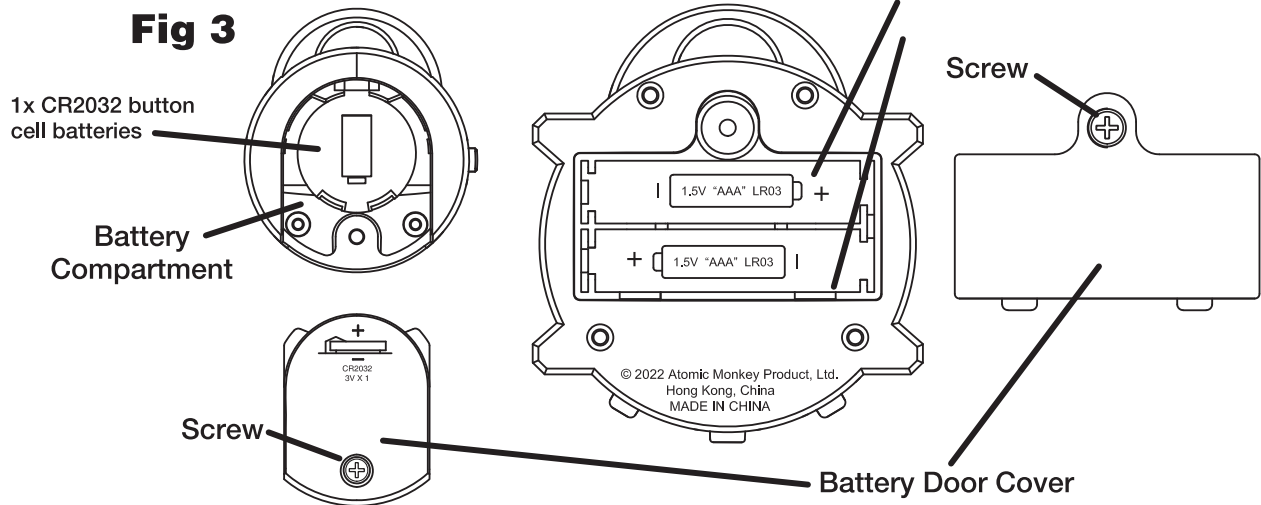
BATTERY SAFETY INFORMATION:

- Only adults should install and replace batteries. Do not recharge non-rechargeable batteries.
- Remove dead or exhausted batteries.
- Insert batteries correctly. Match positive and negative signs.
- The supply terminals are not to be short circuited.
- Do not use rechargeable batteries.
- Do not mix alkaline, standard (carbon-zinc), or rechargeable (nickel-cadmium) batteries.
- Do not mix old and new batteries.
- Only the batteries of the same or equivalent type recommended to be used.
- Do not dispose of batteries in a fire; they may explode. Dispose of batteries safely.

ATTENTION ADULTS - TO REPLACE BATTERIES (Fig 3)

SpyX Tracker Tags each require one CR2032 Coin Cell battery, included.
SpyX Tracker Tag Receiver requires 2-AAA (LR03) batteries, not included.

Locate the Battery Doors on the back of the Tracker Tag or the Tracker Tag Receiver
Use a small Phillips head screwdriver to loosen the screw and remove the BATTERY DOOR COVER (Fig.3).
Remove all old batteries.
Place new batteries in compartments as shown
Replace the battery cover and tighten screw.



FCC ID:2AB4XAMP10534R/ 2AB4XAMP10534T

FCC Statement:

This device complies with part 15 of the FCC Rules. Operation is subject to the following two conditions:(1)This device may not cause harmful interference, and (2) this device must accept any interference received, including interference that may cause undesired operation.

Any Changes or modifications not expressly approved by the party responsible for compliance could void the user's authority to operate the equipment.

Note: This equipment has been tested and found to comply with the limits for a Class B digital device, pursuant to part 15 of the FCC Rules.

These limits are designed to provide reasonable protection against harmful interference in a residential installation. This equipment generates, uses and can radiate radio frequency energy and, if not

installed and used in accordance with the instructions, may cause harmful interference to radio communications. However, there is no guarantee that interference will not occur in a particular installation. If this equipment does cause harmful interference to radio or television reception, which can be determined by turning the equipment off and on, the user is encouraged to try to correct the interference by one or more of the following measures:

- Reorient or relocate the receiving antenna.
- Increase the separation between the equipment and receiver.
- Connect the equipment into an outlet on a circuit different from that to which the receiver is connected.
- Consult the dealer or an experienced radio/TV technician for help.

SAR Exemption Statement :

This device measured RF output power is less than the SAR exclusion threshold value for human head and body. Therefore, SAR test is not necessary.

This device contains licence-exempt transmitter(s)/receiver(s) that comply with Innovation, Science and Economic Development Canada's licence-exempt RSS(s).

Operation is subject to the following two conditions:

- (1) This device may not cause interference.
- (2) This device must accept any interference, including interference that may cause undesired operation of the device

IC: 11864A-AMP10534R

IC: 11864A-AMP10534T

CAN ICES-003/ NMB-003

WARNING:
CHOKING HAZARD - Small parts.
Not for children under 3 years.

WARNING:
Changes or modifications to these units not expressly approved by the party responsible for compliance could void the user's authority to operate the equipment.

WARNING:
This product contains a coin battery. The battery is hazardous and the battery can cause severe or fatal injuries in 2 hours or less if it is swallowed or placed inside any part of the body.



IF YOU HAVE ANY QUESTIONS, PLEASE CONTACT US AT www.atomicmonkeyproducts.com/help

WARNING:
Dispose of used batteries immediately. Keep new and used batteries away from children. If you think batteries might have been swallowed or placed inside any part of the body, seek immediate medical attention.

© 2023 Atomic Monkey Products, Ltd. Hong Kong, China. All rights reserved. PRINTED IN CHINA

Product specifications subject to change.

SPY TRACKER TAG 10534-IS-US