



WALKIE TALKIES™

Spy Communications!

Ages 6 and up
10526
SpyX Walkie Talkies

Each walkie talkie requires three (3) 1.5V AAA (LR03) batteries, not included.

Important: Please save this instruction sheet. It contains valuable product information.

Talk to fellow spies in secret!

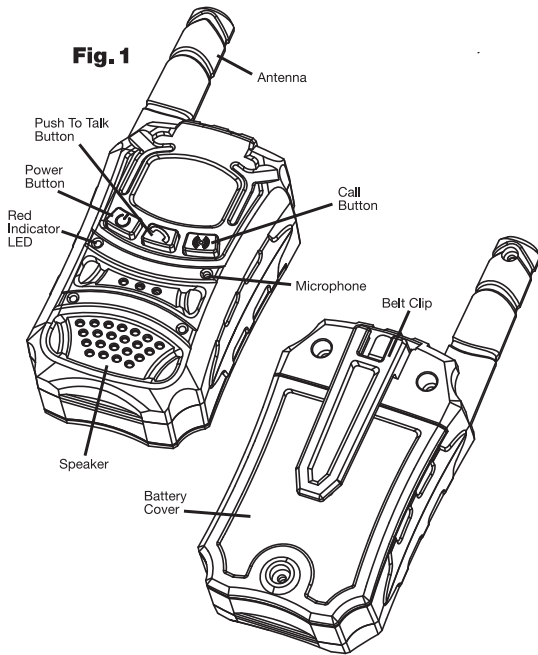
1. Turn on each walkie talkie by pressing and holding POWER button for 2 seconds. The red indicator LED will be turned on. The walkie talkie is now ready to play with!
2. To speak to the other agent, push and hold down the PUSH TO TALK button. Release the button when you are not talking

Hint: Press the CALL button to alert the other agent with a "beep".

Tip: When finished playing with the SpyX walkie talkies, please press and hold power button for 2 seconds to turn off.

BATTERY SAFETY INFORMATION

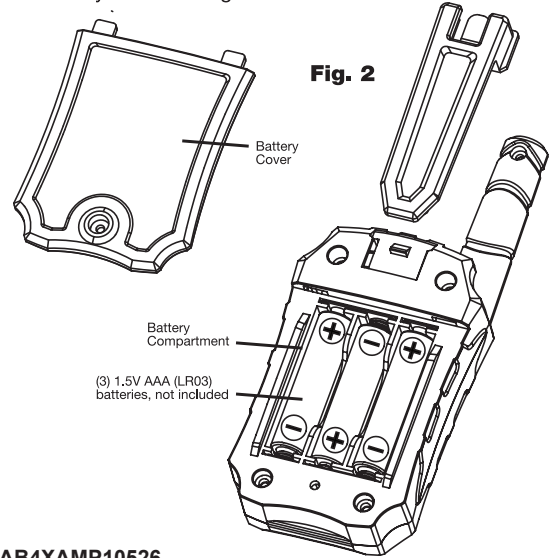
- Only adults should install and replace batteries.
- Do not recharge non-rechargeable batteries.
- Remove dead or exhausted batteries.
- Insert batteries correctly. Match positive and negative signs.
- The supply terminals are not to be short circuited.
- Do not use rechargeable batteries.
- Do not mix alkaline, standard (carbon-zinc), or rechargeable (nickel-cadmium) batteries.
- Do not mix old and new batteries.
- Only the batteries of the same or equivalent type recommended to be used.
- Do not dispose of batteries in a fire; they may explode.
- Dispose of batteries safely.



ATTENTION ADULTS—TO INSTALL AND REPLACE BATTERIES

Each walkie talkie requires three (3) 1.5V AAA (LR03) batteries, not included.

- Use a small phillips head screwdriver to loosen the screw and remove the battery cover (Fig. 2).
- Remove all old batteries.
- Place new batteries in compartments as shown (Fig. 2).
- Replace the battery cover and tighten screw.



FCC ID:2AB4XAMP10526

SAFETY INFORMATION

Your wireless hand-held portable transceiver contains a low power transmitter. When the PTT button is pushed (or the VOX mode is enable) it sends out radio frequency (RF) signals. The device is authorized to operate at a duty factor not to exceeds 50%. In August 1996, the Federal Communications Commissions (FCC) adopted RF exposure guidelines with safety levels for hand-held wireless devices.

The device operates on GMRS (General Mobile Radio Service) frequencies, which require an FCC (Federal Communications Commission) license. You must be licensed prior to transmitting on all channels, which comprise of GMRS channels. Serious penalties could result for unlicensed use of GMRS channels, in violation of FCC rules, as stipulated in the Communications Act's Sections 501 and 502 (amended).

You will be issued a call sign by the FCC, which should be used for station identification when operating the radio on GMRS channels. You should also cooperate by engaging in permissible transmissions only, avoiding channel interference with other GMRS users, and being prudent with the length of their transmission time.

To obtain a license or ask questions about the license application, contact the FCC at 1-888-CALL FCC or go to the FCC's website: <http://www.fcc.gov> and request form 605.

BATTERY SAFETY INFORMATION

- Only adults should install and replace batteries.
- Do not recharge non-rechargeable batteries.
- Remove dead or exhausted batteries.
- Insert batteries correctly. Match positive and negative signs.
- The supply terminals are not to be short circuited.
- Do not use rechargeable batteries.
- Do not mix alkaline, standard (carbon-zinc), or rechargeable (nickel- cadmium) batteries.
- Do not mix old and new batteries.
- Only the batteries of the same or equivalent type recommended to be used.
- Do not dispose of batteries in a fire; they may explode.
- Dispose of batteries safely.

Important:

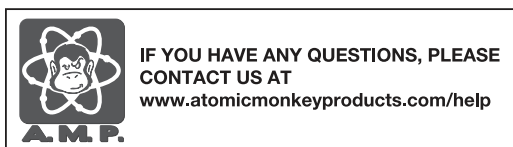
To maintain compliance with the FCC's RF exposure guidelines hold the transmitter at least 1 inch (2.5 centimeters) from your face and speak in a normal voice, with the antenna pointed up and away.

Do not use your transceiver with a damaged antenna. Unauthorized antennas, modifications or attachments could damage the transmitter and may violate FCC regulations.

This device is supplied by power source of (3) three 1.5V AAA (LR03) batteries. Please remove the batteries if the device is not used for a long time.

WARNING!

Do not hold close to the ear. Misuse may damage hearing.



Product specifications subject to change.
SPYX WALKIE TALKIES
10526-IS-US

WARNING:
CHOKING HAZARD—Small parts.
Not for children under 3 years.