



ROLL-IN SPY BUG™

Listen up to 50 feet (15 meters) away!

Ages 6 and up
10519

Roll-in Bug Requires two AA (LR06) Batteries, not Included.
Receiver requires 2 AAA (LR03) Batteries, not included.

Important: Please save this instruction sheet. It contains valuable product information.

How to hear conversations, secrets and more with the Roll-in Spy Bug.

1. Turn on the Roll-in Transmitter by moving the switch on the bottom of the roll-in ball (Fig. 2) to the "on" position
2. Turn on the Audio Receiver by moving the switch on the side of the receiver to the "on" position (Fig. 1)
3. Find a subject or group of subjects that you want listen to and gently roll in the Spy Bug across the floor so it is positioned in a good spot for picking up sounds and voices. **Note that the Microphone will usually be pointing in the "up" position when it stops rolling. However the microphone will still pick up and transmit sounds even when the microphone is not in the "up" position.**
4. Clip the Audio Receiver on your pocket or belt and unwrap the Ear Bud cord from the storage groove on the Audio receiver (Fig. 1)
5. Place the ear bud gently in your ear and you are now able to hear the sounds from the location of the roll-in transmitter!

Tip: You can also place the Roll-in Transmitter in a good location ahead of time so you are able to listen in to any sounds or conversations. Example on a bookshelf, kitchen counter or desk.

Tip: When finished playing with the Roll-in Spy Bug please turn off both the transmitter and receiver to save battery life!

BATTERY SAFETY INFORMATION

- Only adults should install and replace batteries.
- Do not recharge non-rechargeable batteries.
- Remove dead or exhausted batteries.
- Insert batteries correctly. Match positive and negative signs.
- The supply terminals are not to be short circuited.
- Do not use rechargeable batteries.
- Do not mix alkaline, standard (carbon-zinc), or rechargeable (nickel- cadmium) batteries.
- Do not mix old and new batteries.
- Only the batteries of the same or equivalent type recommended to be used.
- Do not dispose of batteries in a fire; they may explode.
- Dispose of batteries safely.

ATTENTION ADULTS— TO INSTALL AND REPLACE BATTERIES

SpyX ROLL-IN SPY BUG requires two AA (LR06) Batteries, not Included.

The Receiver requires 2 AAA (LR03) Batteries, not included. Locate the battery compartment on the base of the Roll-in Transmitter. (Fig. 2)

and on the back of the Audio Receiver (Fig. 3).

Use a small Phillips head screwdriver to loosen the screw, and remove the BATTERY COVER (Fig. 2 and Fig. 3).

Remove all old batteries.

Place new batteries in compartment as shown.

Replace the battery cover and tighten screw.

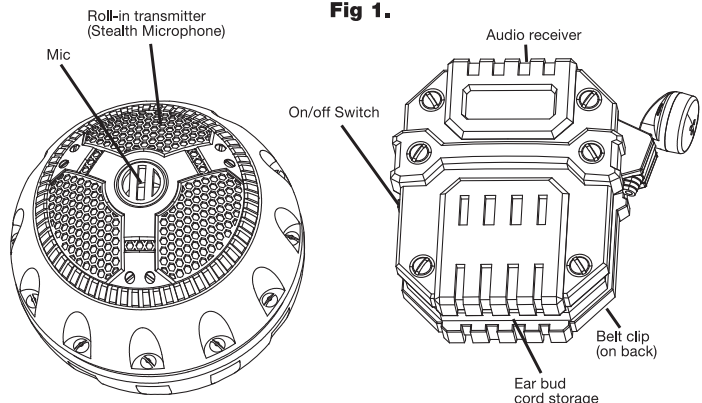


Fig 1.

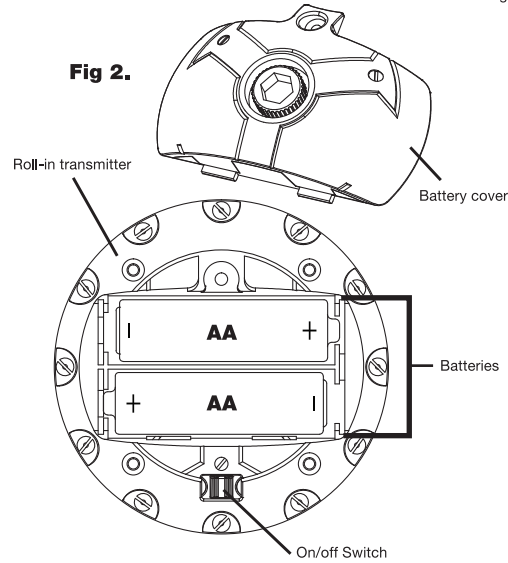


Fig 2.

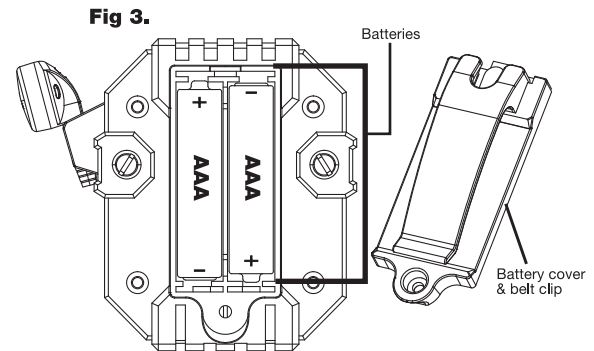


Fig 3.

FCC ID:2AB4XAMP10519T

FCC ID:2AB4XAMP10519R

Changes or modifications not expressly approved by the party responsible for compliance could void the user's authority to operate the equipment


This device complies with part 15 of the FCC rules. Operation is subject to the following two conditions:

- (1) this device may not cause harmful interference, and
- (2) this device must accept any interference received, including interference that may cause undesired operation.

NOTE: This equipment has been tested and found to comply with the limits for a Class B digital device, pursuant to part 15 of the FCC Rules. These limits are designed to provide reasonable protection against harmful interference in a residential installation. This equipment generates uses and can radiate radio frequency energy and, if not installed and used in accordance with the instructions, may cause harmful interference to radio communications. However, there is no guarantee that interference will not occur in a particular installation. If this equipment does cause harmful interference to radio or television reception, which can be determined by turning the equipment off and on, the user is encouraged to try to correct the interference by one or more of the following measures:

- Reorient or relocate the receiving antenna.
- Increase the separation between the equipment and receiver.
- Connect the equipment into an outlet on a circuit different from that to which the receiver is connected.
- Consult the dealer or an experienced radio/TV technician for help.

Product specifications subject to change.
ROLL-IN SPY BUG 10519-IS-US



IF YOU HAVE ANY QUESTIONS, PLEASE CONTACT US AT
www.atomicmonkeyproducts.com/help

WARNING:
CHOKING HAZARD—Small parts.
Not for children under 3 years.