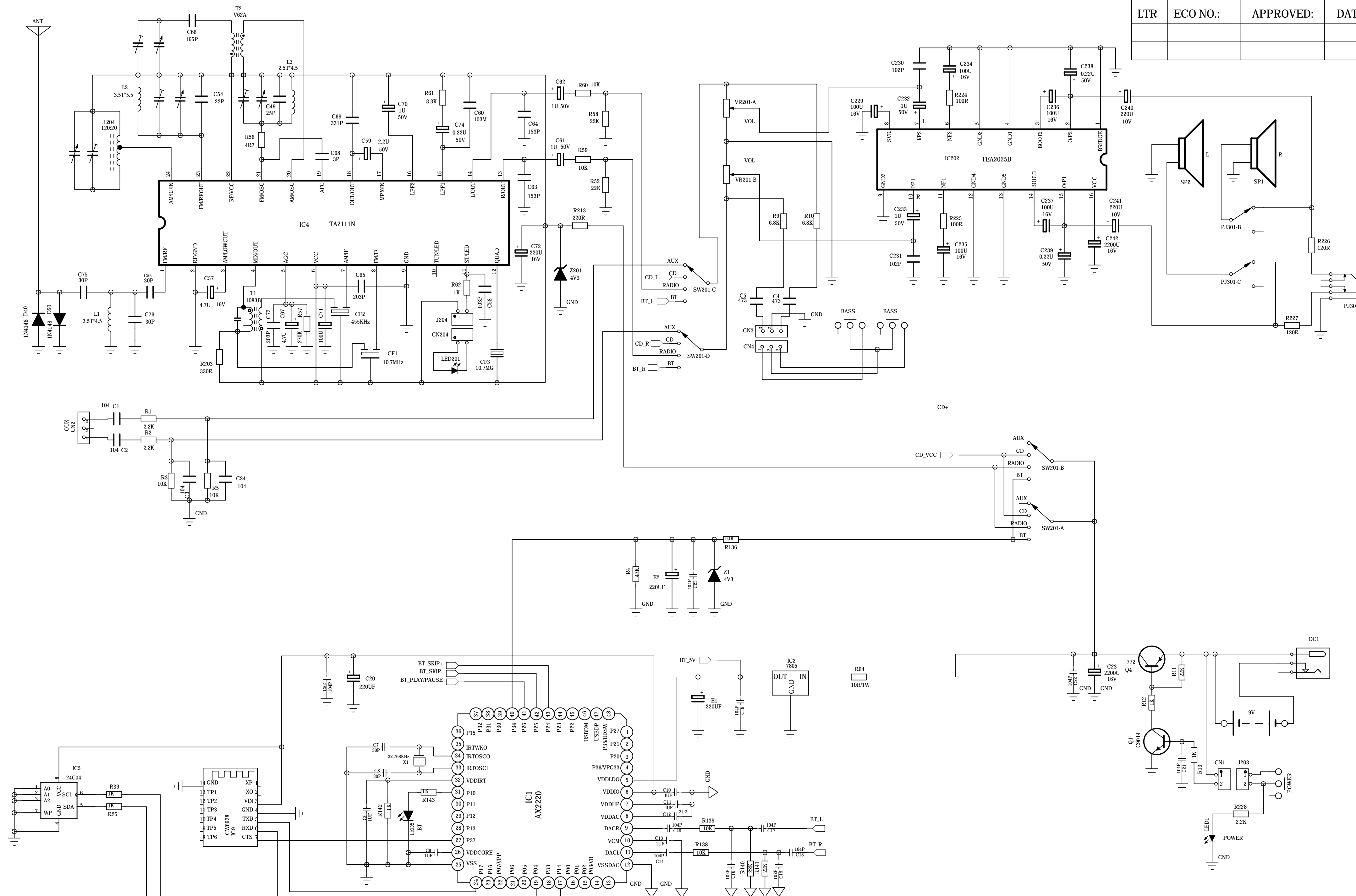
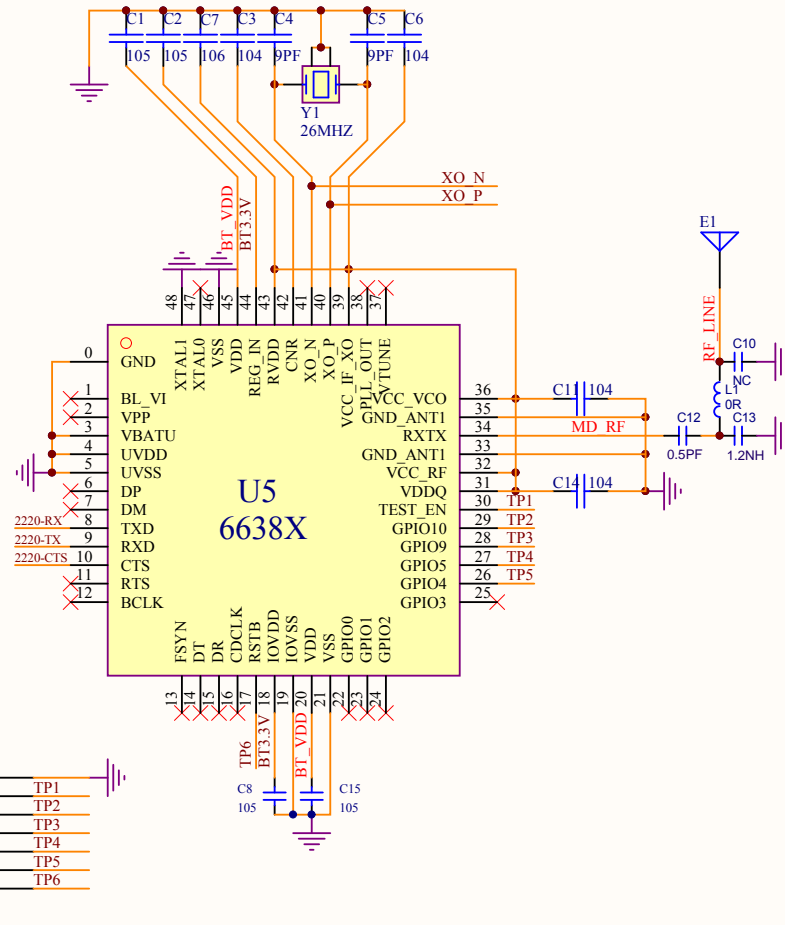


LTR	ECO NO.:	APPROVED:	DATE:





Title		
Size	Number	Revision
A4		
Date:	2013/1/21	Sheet of
File:	E:\BT-BOOMBOX\..6638	V112:SchDoc