

---

**Bluetooth Digital AM/FM Dual Alarm Clock Radio  
with USB Charging Port**





**MODEL: JCR-298  
USER MANUAL**

**PLEASE READ THIS USER MANUAL COMPLETELY BEFORE OPERATING THIS UNIT  
AND RETAIN THIS BOOKLET FOR FUTURE REFERENCE**

# WARNING

TO PREVENT FIRE OR SHOCK HAZARD, DO NOT USE THIS PLUG WITH AN EXTENSION CORD, RECEPTACLE OR OTHER OUTLET UNLESS THE BLADES CAN BE FULLY INSERTED TO PREVENT BLADE EXPOSURE. TO PREVENT FIRE OR SHOCK HAZARD, DO NOT EXPOSE THIS APPLIANCE TO RAIN OR MOISTURE.

 <p>The lightning flash with arrowhead symbol, within an equilateral triangle is intended to alert the user to the presence of uninsulated dangerous voltage within the product enclosure that may be of sufficient magnitude to constitute a risk of electric shock to persons.</p>	<p style="text-align: center;"><b>CAUTION</b></p> <p style="text-align: center;"><b>RISK OF ELECTRIC SHOCK</b> <b>DO NOT OPEN</b></p> <p>CAUTION TO REDUCE THE RISK OF ELECTRIC SHOCK, DO NOT REMOVE COVER (OR BACK). NO USER-SERVICEABLE PARTS INSIDE. REFER SERVICING TO QUALIFIED SERVICE PERSONNEL.</p>	 <p>The exclamation point within an equilateral triangle is intended to alert the user to the presence of important operating and maintenance (servicing) instructions in the literature accompanying the appliance.</p>
---	---	---

The Rating plate is located at the bottom enclosure of the apparatus

## IMPORTANT SAFETY INSTRUCTIONS

1. Read these instructions.
2. Keep these instructions.
3. Heed all warnings.
4. Follow all instructions.
5. Do not use this apparatus near water.
6. Clean only with dry cloth.
7. Do not block any ventilation openings. Install in accordance with the manufacturer's instructions.
8. Do not install near any heat sources such as radiators, heat registers, stoves, or other apparatus (including amplifiers) that product heat.
9. AC adaptor is used as disconnect device and it should remain readily operable during intended use. In order to disconnect the apparatus from the mains completely, the AC adaptor should be disconnected from the mains socket outlet completely.
10. Only use attachments/accessories specified by the manufacturer.
11. Use only with a cart, stand, tripod, bracket, or table recommended by the manufacturer, or sold with the product. When a cart is used, use caution when moving the cart/apparatus combination to avoid injury from tip-over.
12. Unplug this apparatus during lightning storms or when unused for a long period of time.
13. Refer all servicing to qualified service personnel. Servicing is required when the apparatus has been damaged in any way, such as power-supply cord or plug is damaged, liquid has been spilled or objects have fallen into the apparatus, the apparatus has been exposed to rain or moisture, does not operate normally, or has been dropped.
14. This appliance shall not be exposed to dripping or splashing water and that no object filled with liquids such as vases shall be placed on the apparatus.
15. Do not overload wall outlet. Use only power source as indicated.



16. Use replacement part as specified by the manufacturer.
17. Upon completion of any service or repairs to this product, ask the service technician to perform safety checks.
18. Power Sources - This product should be operated only from the type of power source indicated on the marking label. If you are not sure of the type of power supply to your home, consult your product dealer or local power company. For products intended to operate from battery power, or other sources, refer to the operating instruction.
19. Object and Liquid Entry - Never push objects of any kind into this product through openings as they may touch dangerous voltage points or short-out parts that could result in a fire or electric shock. Never spill liquid of any kind on the product.
20. Damage Requiring Service - Unplug this product from the wall outlet and refer servicing to qualified service personnel under the following conditions:
  - a) When the power-supply cord or plug is damaged,
  - b) If liquid has been spilled, or objects have fallen into the product,
  - c) If the product has been exposed to rain or water,
  - d) If the product does not operate normally by following the operating instructions. Adjust only those controls that are covered by the operating instructions as an improper adjustment of other controls may result in damage and will often require extensive work by a qualified technician to restore the product to its normal operation.
  - e) If the product has been dropped or damaged in any way, and
  - f) When the product exhibits a distinct change in performance - this indicates a need for service.
21. The battery shall not be exposed to excessive heat such as sunshine, fire or the like.
22. Minimum distances of 4 inches around the apparatus for sufficient ventilation.
23. The ventilation should not be impeded by covering the ventilation openings with items, such as newspapers, tablecloths, curtains, etc.
24. No open flame sources, such as lit candles, should be placed on the product.
25. The use of apparatus in moderate climates.
26. Attention should be drawn to the environmental aspects of battery disposal

**SAVE THESE INSTRUCTIONS**

# COMPLIANCE WITH FCC REGULATIONS

FCC ID: 2AB4KMETYH8106

This device complies with Part 15 of the FCC Rules. Operation is subject to the following two conditions:

- (1) This device may not cause harmful interference, and
- (2) This device must accept any interference received, including interference that may cause undesired operation.

This equipment has been tested and found to comply with the limits for a class B digital device, pursuant to Part 15 of the FCC Rules. These limits are designed to provide reasonable protection against harmful interference in a residential installation. This equipment generates uses and can radiate radio frequency energy and, if not installed and used in accordance with the instructions, may cause harmful interference to radio communications. However, there is no guarantee that interference will not occur in a particular installation. If this equipment does cause harmful interference to radio or television reception, which can be determined by turning the equipment off and on, the user is encouraged to try to correct the interference by one or more of the following measures:

- Reorient or relocate the receiving antenna.
- Increase the separation between the equipment and receiver.
- Connect the equipment into an outlet on a circuit different from that to which the receiver is connected.
- Consult the dealer or an experienced radio/TV technician for help.

**CAUTION:** Changes or modifications not expressly approved by the party responsible for compliance could void the user's authority to operate the equipment.

The equipment complies with FCC radiation exposure limits set forth for an uncontrolled environment. The equipment should be installed and operated with minimum distance 20cm between the radiator & your body.

## PROTECT YOUR FURNITURE!!

This system is equipped with non-skid rubber 'feet' to prevent the product from moving when you operate the controls. These 'feet' are made from non-migrating rubber material specially formulated to avoid leaving any marks or stains on your furniture. However certain types of oil-based furniture polishes, wood preservatives, or cleaning sprays may cause the rubber 'feet' to soften and leave marks or a rubber residue on the furniture.

To prevent any damage to your furniture we strongly recommend that you purchase small self-adhesive felt pads, available at hardware stores and home improvement centers everywhere, and apply these pads to the bottom of the rubber 'feet' before you place the product on fine wooden furniture.

## DEAR JENSEN® CUSTOMER

Selecting fine audio equipment such as the unit you've just purchased is only the start of your musical enjoyment. Now it's time to consider how you can maximize the fun and excitement your equipment offers. This manufacturer and the Electronic Industries Association's Consumer Electronics Group want you to get the most out of your equipment by playing it at a safe level. One that lets the sound come through loud and clear without annoying blaring or distortion and, most importantly, without affecting your sensitive hearing.

Sound can be deceiving. Over time your hearing "comfort level" adapts to higher volumes of sound. So what sounds "normal" can actually be loud and harmful to your hearing. Guard against this by setting your equipment at a safe level BEFORE your hearing adapts.

### To establish a safe level:

- Start your volume control at a low setting.
- Slowly increase the sound until you can hear it comfortably and clearly, and without distortion.

### Once you have established a comfortable sound level:

- Set the dial and leave it there.

Taking a minute to do this now will help to prevent hearing damage or loss in the future. After all, we want you listening for a lifetime.

### We Want You Listening for a Lifetime

Used wisely, your new sound equipment will provide a lifetime of fun and enjoyment. Since hearing damage from loud noise is often undetectable until it is too late, this manufacturer and the Electronic Industries Association's Consumer Electronics Group recommend you avoid prolonged exposure to excessive noise.



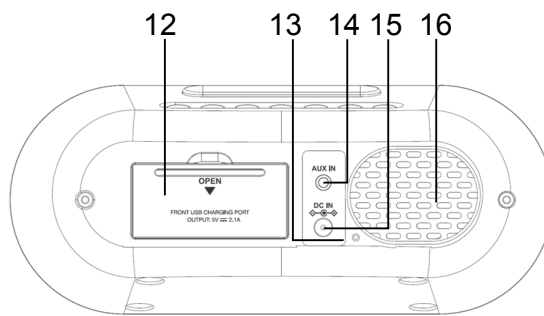
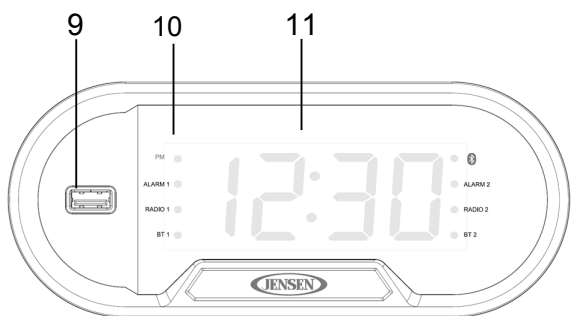
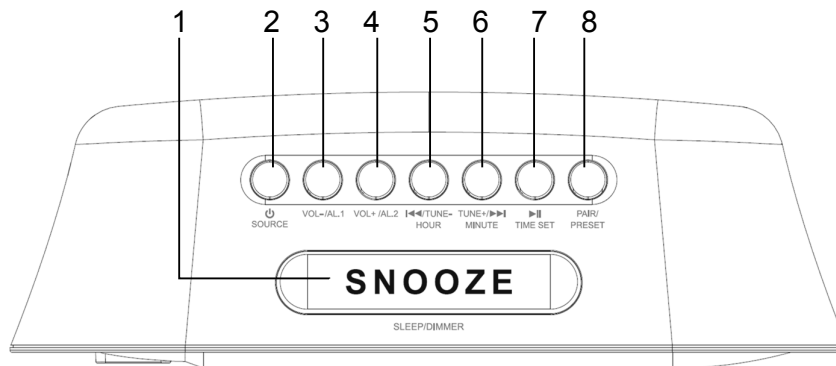
### Customer's Record:

The serial number of this product is found on its bottom. You should note the serial number of this unit in the space provided as a permanent record of your purchase to aid in identification in the event of theft or loss.

**Model Number: JCR-298**

**Serial Number:**

## LOCATION OF CONTROLS



- |                                  |                     |
|----------------------------------|---------------------|
| 1 SNOOZE / SLEEP / DIMMER BUTTON | 9 USB CHARGING PORT |
| 2 SOURCE / STANDBY BUTTON        | 10 PM INDICATOR     |
| 3 VOL - / ALARM 1 BUTTON         | 11 LED DISPLAY      |
| 4 VOL + / ALARM 2 BUTTON         | 12 BATTERY DOOR     |
| 5 SKIP BACKWARD  / TUNE - BUTTON | 13 FM ANTENNA       |
| 6 SKIP FORWARD  / TUNE + BUTTON  | 14 AUX IN JACK      |
| 7 PLAY/PAUSE  / TIME SET BUTTON  | 15 DC IN JACK       |
| 8 BLUETOOTH PAIR / PRESET BUTTON | 16 SPEAKER          |

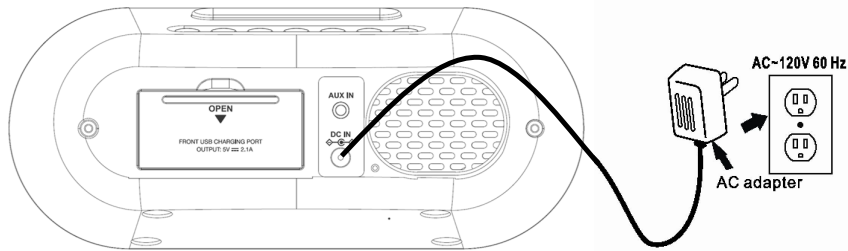
## POWER SOURCE (AC ADAPTOR ONLY)

The JCR-298 is powered by an external AC-DC adaptor with an output of DC 5V  $\text{---}$  3A

The unit is also equipped with a battery back-up system for the clock that is powered by DC 3V  $\text{---}$  2 x AAA batteries (Not included).

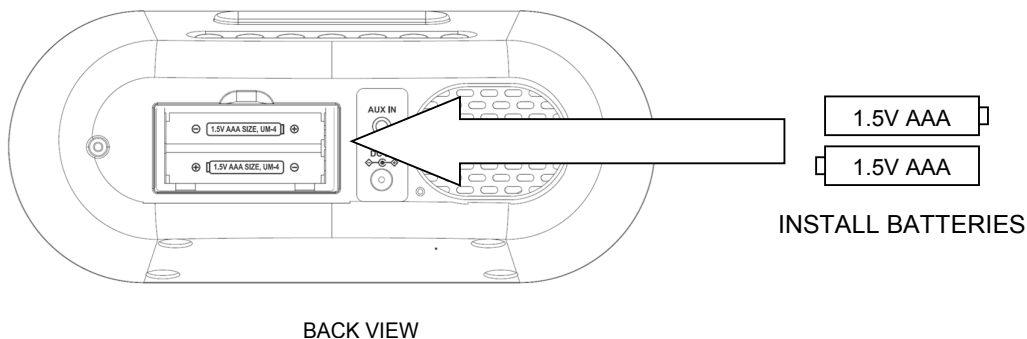
## POWER CONNECTION

1. Plug the cord of the power adaptor into the DC IN JACK (#15) located on the back of the JCR-298.
2. Plug the power adaptor into a household wall socket. The unit is powered up and in standby mode when you see the display turn on and begin flashing.



## Battery Back-up system

- The radio is equipped with a battery back-up system. It requires 2 x AAA batteries (Not included).
- Open the BATTERY DOOR (#12) on the back of the unit. Insert the batteries into the battery compartment and make sure the positive and negative (+ or -) sides of the batteries are in contact with the corresponding terminals in the battery compartment. Replace the BATTERY DOOR (#12).



- If a power outage occurs, the unit automatically switches to the battery power supply and keeps the clock settings.
- When replacing the battery, do not disconnect the power adaptor. Otherwise, all clock and alarm settings will be lost.

### Note:

The unit will still operate without the batteries installed, but the time and alarm settings will be lost and have to be reset in the event of a power interruption or failure.

### CAUTIONS:

1. Do not mix old and new batteries.
2. Only use good quality/name brand batteries.
3. Do not mix alkaline, standard (carbon-zinc) or rechargeable (nickel-cadmium) batteries.

4. If the unit is not going to be used for an extended period of time, please remove the batteries. Using old, leaking or cheaply made batteries can cause damage to the unit and may void the warranty.
5. Do not dispose of batteries in fire, batteries may explode or leak.
6. Batteries shall not be exposed to excessive heat such as sunshine, fire or the like.
7. Replace all the batteries at the same time, no matter exhausted or not, every 2 years at the same time to avoid possible battery leakage.
8. Do not try to recharge batteries not intended to be recharged; they can overheat, rupture and leak. (Follow battery manufacturer's directions).
9. Only an adult should replace the batteries.

## STANDBY MODE

Standby Mode is when the unit is first plugged into an AC power source (display flashing) or after all the settings have been made and the time is showing on the display. Standby mode is also enabled when the Bluetooth/Radio/AUX are off, no buttons are pressed and no alarms are sounding.

## CLOCK SETTING

The LED DISPLAY (#11) will be flashing when the unit is plugged in for the first time. The unit is now in standby mode.

### Setting the Time:

1. In standby mode, press and hold the TIME SET BUTTON (#7) until the hour digits of the clock display begin to flash.



2. Repeatedly tap the SKIP BACKWARD ◀◀ BUTTON (#5) or SKIP FORWARD ▶▶ BUTTON (#6) to set the hour.

Press and hold the buttons for fast advance/reverse setting. Make sure the correct AM or PM time is selected when setting the hour.

**Note:** The PM INDICATOR (#10) is located in the upper left part of the display. The PM INDICATOR (#10) will light when the hour digits selected are for PM time. The PM INDICATOR (#10) will be off when the hour digits selected are for AM time.

3. Press the TIME SET BUTTON (#7) to confirm the time and the minute digits will flash.

4. Repeatedly tap the SKIP BACKWARD ◀◀ BUTTON (#5) or SKIP FORWARD ▶▶ BUTTON (#6) to set the minute.



Press and hold the buttons for fast reverse/advance setting.

5. Tap the TIME SET BUTTON (#7) to confirm and complete the setting. The display will stop flashing.

### Note:

The unit will automatically save the settings and exit the time set mode if you do not press any buttons within 10 seconds.



## ALARM OPERATION

The JCR-298 features a dual alarm clock.

### Setting the alarms:

1. In standby mode, press and hold the ALARM 1 BUTTON (#3), the hour of the alarm time will flash.
2. Tap the SKIP BACKWARD ◀◀ BUTTON (#5) or SKIP FORWARD ▶▶ BUTTON (#6) to set the hour. Press and hold the buttons for fast reverse/advance setting. Make sure the correct AM or PM time is selected when setting the hour.



**Note:** The PM INDICATOR (#10) is located in the upper left part of the display. The PM INDICATOR (#10) will light when the hour digits selected are for PM time. The PM INDICATOR (#10) will be off when the hour digits selected are for AM time.

3. Tap the ALARM 1 BUTTON (#3) to confirm the hour setting, the minute digits will flash to prompt for input.
4. Tap the SKIP BACKWARD ◀◀ BUTTON (#5) or SKIP FORWARD ▶▶ BUTTON (#6) to set the minute. Press and hold the button for fast reverse/advance setting.
5. Tap the ALARM 1 BUTTON (#3) to confirm the minute setting.
6. Tap the ALARM 1 BUTTON (#3) repeatedly to select the wake up option (ALARM 1, Radio 1 or BT 1) and complete the ALARM 1 setting.
7. Setting the ALARM 2 time uses the same steps above, but using the ALARM 2 BUTTON (#4) in place of the ALARM 1 BUTTON (#3).



Note: The unit will automatically save the settings and return to Standby mode if you do not tap any button within 10 seconds.

### Setting the “wake to” alarm source:

1. In Standby mode, tap the ALARM 1 BUTTON (#3). The ALARM 1 time will flash on the display and the current ALARM 1 status indicator will light on the left side of the display.
2. Repeatedly tap the ALARM 1 BUTTON (#3) to select the alarm source.  
Wake to Alarm – ALARM 1 indicator lights.  
Wake to Radio – RADIO 1 indicator lights.  
Wake to Bluetooth – BT1 indicator lights.  
Alarm OFF – All ALARM 1 indicators (ALARM 1/ RADIO 1/ BT1) on the left side of the display are OFF.
3. Setting ALARM 2 will follow the same steps as ALARM 1 above, but you will be using the ALARM 2 BUTTON (#4) and the ALARM 2 indicators will be on the right side of the display.

### Waking to Alarm - Turning the “wake to” Alarm ON:

- A beeping Alarm will automatically turn on when the alarm time is reached. The corresponding ALARM 1 or ALARM 2 indicator will flash.
- The volume level of the alarm will start out low and gradually increase to maximum volume.
- Press the SNOOZE BUTTON (#1) to temporarily turn off the alarm, or press the SOURCE/STANDBY BUTTON (#2) to turn the alarm off.
- If no buttons are pressed when the alarm is sounding, it will continue sounding for 60 minutes and then turn off automatically.

### **Wake to Radio (AM or FM) - Turning the “wake to” Radio ON:**

- The Radio will automatically turn on when the alarm time is reached. The corresponding RADIO 1 or RADIO 2 indicator will flash.
- The unit will start playing the last radio station you listened to when the wake time is reached, so make sure the station is set to the one you want to wake up to.
- The volume level will start out low and gradually increase to maximum volume.
- Press the SNOOZE BUTTON (#1) to temporarily turn off the radio, or press the SOURCE/STANDBY BUTTON (#2) to turn the radio off.
- If no buttons are pressed when the radio is playing, it will continue playing for 60 minutes and then turn off automatically.

### **Wake to Bluetooth - Turning the “wake to” Bluetooth ON:**

**NOTE:** In order to wake to a Bluetooth device, the device must be paired with the JCR-298 prior to using the wake to Bluetooth.

- The Bluetooth Device will automatically connect with the last connected Bluetooth device and resume playback when the alarm time is reached. The corresponding BT 1 or BT 2 indicator will flash.
- The unit will resume playing the last music or audio you listened to on the Bluetooth device when the wake time is reached.
- The volume level will start out low and gradually increase to maximum volume.
- Press the SNOOZE BUTTON (#1) to temporarily turn off the Bluetooth device, or press the SOURCE/STANDBY BUTTON (#2) to turn the Bluetooth device off.
- If no buttons are pressed when the Bluetooth device is playing, it will continue playing for 60 minutes and then turn off automatically.

**NOTE:** The JCR-298 will automatically switch to WAKE TO ALARM if it cannot connect with the Bluetooth device or if the Bluetooth device was not paired properly.

### **Review the Alarm time setting:**

In standby mode, tap the ALARM 1 / ALARM 2 BUTTONS (#3 / #4) once. The corresponding alarm indicator and alarm time will be flashing on the display. The unit will automatically return to standby mode if no buttons are pressed within 5 seconds.

### **Turning the daily alarms OFF:**

- In Standby mode, repeatedly tap the ALARM 1 BUTTON (#3) to step through the “wake to” options shown on the left side of the display.  
Alarm 1 -> Radio 1 -> BT1 -> OFF (all indicators off and returns to the current time)
- The ALARM 1 time will flash on the display as you step through the options.
- All ALARM 1 options are disabled when the indicators are off and the current time is showing on the display.
- Turning off ALARM 2 will follow the same steps as ALARM 1 above, but you will be using the ALARM 2 BUTTON (#4) and the ALARM 2 indicators will be on the right side of the display.

### **Notes:**

- For setting a one-day alarm, set the desired alarm time the day before following the “**Setting the alarms**” section above.
- The alarm will sound the next day at the set alarm time.
- After turning off the alarm, follow the “**Turning the daily alarms OFF**” section above to prevent the alarm from sounding again the next day.

## SNOOZE FUNCTION

When the alarm sounds, tap the SNOOZE BUTTON (#1) to temporarily turn off the alarm and activate the snooze function. The alarm will stop and turn on again 9 minutes later. This can be repeated when the alarm sounds again.

Notes:

- The corresponding AL1 or AL2 alarm indicator will flash during the snooze period.
- To cancel the snooze period and the alarm, press the SOURCE/ STANDBY BUTTON (#2).

## RADIO OPERATION

**Listening to the radio:**

1. Tap the SOURCE/STANDBY BUTTON (#2) to turn the unit on.
2. If you repeatedly tap the SOURCE/STANDBY BUTTON (#2), you will step through the different modes available: FM Radio -> AM Radio -> Bluetooth (bt) -> AUX
3. Tap the SOURCE/STANDBY BUTTON (#2) repeatedly to select either FM or AM radio mode.
4. The FM or AM frequency will show on the LED display (#11).
5. **Manual Tuning:** Repeatedly tap the SKIP BACKWARD ◀◀ BUTTON (#5) or SKIP FORWARD ▶▶ BUTTON (#6) to manually adjust the frequency.
6. **Automatic Tuning:** Press and hold the SKIP BACKWARD ◀◀ BUTTON (#5) or SKIP FORWARD ▶▶ BUTTON (#6) to automatically tune to the next or previous available station.
7. Tap the VOL - / + BUTTONS (#3 / #4) to obtain the desired volume level.
8. Press and hold the SOURCE/STANDBY BUTTON (#2) to turn the radio off.

**Notes:**

- Use **Manual Tuning** to select weaker stations that might be skipped during Automatic Tuning.
- If the Automatic Tuning does not stop on the exact frequency of the station, for example, it stops on 88.9 MHz instead of 88.8 MHz, use the manual tuning method to “fine tune” to the exact frequency of the desired station.
- When in radio mode, the display will automatically switch back to show the time after a few seconds.
- When listening to the radio, you can check the frequency of the station you are listening by tapping the SKIP BACKWARD ◀◀ BUTTON (#5) or SKIP FORWARD ▶▶ BUTTON (#6) once. The unit will automatically return to Standby mode if you do not tap any button within 10 seconds.







### TIPS FOR BEST RADIO RECEPTION

AM - The AM antenna is built inside the radio. If AM reception is weak, change the position of the unit until the internal antenna picks up the strongest signal.

FM - If FM reception is weak, fully extend the FM ANTENNA (#13) and vary the position and location of the antenna until you find the strongest signal.




### **To set / recall the radio presets:**

The unit allows you to store up to 10 FM stations and 10 AM stations for easy recall at any time.




1. If you repeatedly tap the SOURCE/STANDBY BUTTON (#2), you will step through the different modes available: FM Radio -> AM Radio -> Bluetooth (bt) -> AUX
2. Tap the SOURCE/STANDBY BUTTON (#2) repeatedly to select either FM or AM radio mode.
3. Tap the SKIP BACKWARD  BUTTON (#5) or SKIP FORWARD  BUTTON (#6) to select the desired station.
4. Press and hold the PAIR / PRESET BUTTON (#8) until "PXX" shows on the LED DISPLAY (#11).
5. Tap the SKIP BACKWARD  BUTTON (#5) or SKIP FORWARD  BUTTON (#6) to select a preset number (P01-P10).
6. Press the PAIR / PRESET BUTTON (#8) again to confirm the preset.
7. Repeat steps 2 through 6 to preset up to 10 stations.
8. To recall one of the preset stations already programmed, tap the PAIR / PRESET BUTTON (#8) repeatedly until you reach the desired preset number/radio station.
9. You can also recall one of the preset stations by pressing the PAIR / PRESET BUTTON (#8) once and then press the SKIP BACKWARD  BUTTON (#5) or SKIP FORWARD  BUTTON (#6) to select a preset station.

## **BLUETOOTH OPERATION**

### **Pairing a Bluetooth enabled device with the JCR-298.**

1. Tap the SOURCE/STANDBY BUTTON (#2) to turn the unit on.
2. If you repeatedly tap the SOURCE/STANDBY BUTTON (#2), you will step through the different modes available: FM Radio -> AM Radio -> Bluetooth (bt) -> AUX
3. Tap the SOURCE/STANDBY BUTTON (#2) repeatedly to select Bluetooth mode.
4. "bt" will show on the LED DISPLAY (#11) and the Bluetooth  indicator will turn on and flash.
5. Turn on the Bluetooth function of your device and enable the search or scan function to find the JCR-298.
6. Select the JCR-298 from the device list when it appears on your device's screen. If required, enter the pass code "0000" to pair (link) the JCR-298 with your device.
7. If you are pairing (linking) your computer to the JCR-298 using Bluetooth, you may need to set the JCR-298 as your computer's default sound device.
8. After pairing the JCR-298 with your Bluetooth device successfully, The Bluetooth  indicator will light steadily.
9. If you want the JCR-298 to pair with another Bluetooth device, press and hold the PAIR / PRESET BUTTON (#8) until the Bluetooth  indicator flashes. The unit will go into Pairing/Discoverable mode.
10. Repeat steps 4 & 5.

Now you can play music from your Bluetooth device wirelessly to the JCR-298.

1. Select a song and press the Play/Pause Button on your Bluetooth device or PLAY/PAUSE  (#7) on the JCR-298 to play or pause the Bluetooth device playback.
2. Tap the SKIP BACKWARD  BUTTON (#5) or SKIP FORWARD  BUTTON (#6) to select the Previous or Next track.
3. Slowly adjust both the volume controls on the JCR-298 and on the Bluetooth device until you reach a comfortable listening level.

Notes:

- Refer to the manual of your cell phone, tablet PC, computer or other Bluetooth enabled devices for Bluetooth operation since it may vary from model to model.
- If your Bluetooth enabled device does not support A2DP profile, it will not play the music through the speaker, even if paired (linked).
- Remember to turn off the JCR-298 when you have finished listening.
- Don't forget to switch off the power of your external audio device as well.

## AUX IN OPERATION

You can play other music sources (iPod, MP3 or other digital audio players) through the speaker of the JCR-298 by connecting the AUX IN JACK (#14) to your external player's audio out jack or headphone jack.

1. Plug one end of an audio cable (not included) into the AUX IN JACK (#14) and the other end of the cable to the headphone jack of your digital audio player.
2. Tap the SOURCE/STANDBY BUTTON (#2) to turn the unit on.
3. If you repeatedly tap the SOURCE/STANDBY BUTTON (#2), you will step through the different modes available:  
FM Radio -> AM Radio -> Bluetooth (bt) - > AUX
4. Tap the SOURCE/STANDBY BUTTON (#2) repeatedly to select AUX mode.
5. "AUX" will show on the LED Display (#11).
6. Turn on and start playing the external device you plugged into the AUX IN JACK (#14).
7. Slowly adjust both the volume controls of the JCR-298 and the external device until you reach a comfortable listening level.

Notes:

- If you connect the unit to the Line-Out Jack on your external device, you only need to adjust the volume control of your unit. If you connect to the Headphone Jack of your external device, you may need to adjust both the volume controls of your external device and the unit to obtain the desirable listening level.
- Remember to turn off the unit when you have finished listening. Don't forget to switch off the power of your external audio device as well.

## SLEEP OPERATION

The SLEEP TIMER feature allows you to turn off the radio automatically after a designated time has elapsed.

1. Select Radio Mode, Bluetooth Mode or AUX Mode and begin playing music from the selected source.
2. Tap the SLEEP BUTTON (#1) to enter sleep mode.
3. Repeatedly tap the SLEEP BUTTON (#1) to select the sleep timer 120 – 90 – 60 – 45 - 30 – 15 – OFF (in minutes). The unit will play for the selected length of time then turn off automatically.
4. To cancel the sleep timer, repeatedly tap the SLEEP BUTTON (#1) until the timer shows OFF.
5. To turn the unit "Off" before the selected length of time, press and hold the SOURCE/STANDBY BUTTON (#2) at any time.

**Note:** Tap the SLEEP BUTTON (#1) once to check the remaining sleep time.

## DIMMER OPERATION

In standby mode, press and hold the DIMMER BUTTON (#1) repeatedly to select the brightness settings of the display (Low or High).

## USB CHARGING

### THE JCR-298 FEATURES A FRONT MOUNTED USB CHARGING PORT (DC 5V $\equiv$ 2.1 A) FOR CHARGING YOUR CELL PHONE.

1. Plug the standard end of the USB cable (not included) into the USB CHARGING PORT (#9) located on the front of the unit. Plug the other end of the cable into the device you wish to charge.
2. Observe the battery charge indicator on your device to make sure the charging process starts normally.
3. Unplug the cable when your device is fully charged.

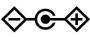
### WARNING!

- The USB port located on the front of the unit is designed for a smart phone or portable device battery charging only and does not support data transfer or connection to a computer.
- Don't connect the USB port of the unit to another USB charger. It may damage both units and void the warranty.

## CARE AND MAINTENANCE

- Clean the radio with a soft damp cloth and let all parts dry completely after cleaning.
- Do not use any aggressive cleaners, brushes with nylon bristles, sharp or metallic cleaning utensils, knives, hard scrapers and the like. They could damage the surfaces of the radio.
- Do not immerse the radio in water and do not let water get into the housing of the radio.
- Unplug the power adaptor and clean the radio before storage.
- Always store the radio in a dry and clean place.

## SPECIFICATIONS

Power:	AC Adaptor: Input AC 100-240V ~ Output: DC 5V $\equiv$ 3A 
Backup battery:	2 x AAA batteries (not included)
USB Charging:	DC 5V $\equiv$ 2.1A
Frequency Range:	FM 87.5 – 108 MHz AM 520 – 1710 KHz



## TROUBLESHOOTING GUIDE

If you experience difficulties in the use of this clock radio, please check the following or call 1-800-777-5331 for Customer Service and support.

SYMPTOM	POSSIBLE CAUSE	POSSIBLE SOLUTION
Power does not come on	Power adaptor connection is unstable	Reconnect the adaptor
No sound	VOLUME control is turned down	Increase the Volume
Noise or sound distorted on AM or FM broadcast	<ul style="list-style-type: none"> <li>- Station not tuned properly</li> <li>- FM: Antenna is not extended</li> <li>- AM : Internal antenna is not positioned correctly</li> </ul>	<ul style="list-style-type: none"> <li>- Retune Broadcast station</li> <li>- Fully extend the antenna</li> <li>- Reposition the unit until the best reception is obtained</li> </ul>
No charging from the USB port	The USB cable is damaged or not securely attached	Replace the USB cable or try reconnecting it again



At Spectra, environmental and social responsibility is a core value of our business. We are dedicated to continuous implementation of responsible initiatives with an aim to conserve and maintain the environment through responsible recycling.

Please visit us at <http://www.spectrainl.com/green.htm> for more information on Spectra's green initiatives or to find a recycler in your area.

The Bluetooth® word mark and logos are registered trademarks owned by Bluetooth SIG, Inc. and any use of such marks by Spectra Merchandising Intl, Inc. is under license. Other trademarks and trade names are those of their respective owners.

## 90 DAY LIMITED WARRANTY AND SERVICE VALID IN THE U.S.A. ONLY

SPECTRA MERCHANDISING INTERNATIONAL, INC. warrants this unit to be free from defective materials or factory workmanship for a period of 90 days from the date of original customer purchase and provided the product is utilized within the U.S.A. This warranty is not assignable or transferable. Our obligation under this warranty is the repair or replacement of the defective unit or any part thereof, except batteries, when it is returned to the SPECTRA Service Department, accompanied by proof of the date of original consumer purchase, such as a duplicate copy of a sales receipt. You must pay all shipping charges required to ship the product to SPECTRA for warranty service. If the product is repaired or replaced under warranty, the return charges will be at SPECTRA's expense. There are no other express warranties other than those stated herein.

This warranty is valid only in accordance with the conditions set forth below:

1. The warranty applies to the SPECTRA product only while:
  - a. It remains in the possession of the original purchaser and proof of purchase is demonstrated.
  - b. It has not been subjected to accident, misuse, abuse, improper service, usage outside the descriptions and warnings covered within the user manual or non-SPECTRA approved modifications.
  - c. Claims are made within the warranty period.
2. This warranty does not cover damage or equipment failure caused by electrical wiring not in compliance with electrical codes or SPECTRA user manual specifications, or failure to provide reasonable care and necessary maintenance as outlined in the user manual.
3. Warranty of all SPECTRA products applies to residential use only and is void when products are used in a nonresidential environment or installed outside the United States.

This warranty gives you specific legal rights, and you may also have other rights which vary from state to state. TO OBTAIN SERVICE please remove all batteries (if any) and pack the unit carefully and send it freight prepaid to SPECTRA at the address shown below. IF THE UNIT IS RETURNED WITHIN THE WARRANTY PERIOD shown above, please include a proof of purchase (dated cash register receipt) so that we may establish your eligibility for warranty service and repair of the unit without cost. Also include a note with a description explaining how the unit is defective. A customer service representative may need to contact you regarding the status of your repair, so please include your name, address, phone number and email address to expedite the process.

IF THE UNIT IS OUTSIDE THE WARRANTY PERIOD, please include a check for **\$20.00** to cover the cost of repair, handling and return postage. All out of warranty returns must be sent prepaid.

It is recommended that you contact SPECTRA first at 1-800-777-5331 or by email at [custserv@spectraintl.com](mailto:custserv@spectraintl.com) for updated information on the unit requiring service. In some cases, the model you have may be discontinued, and SPECTRA reserves the right to offer alternative options for repair or replacement.

SPECTRA MERCHANDISING INTERNATIONAL, INC.  
4230 North Normandy Avenue, Chicago, IL60634, USA. 1-800-777-5331

To register your product, visit the link on the website below to enter your information.

<http://www.spectraintl.com/wform.htm>



**FCC warning:**

Any Changes or modifications not expressly approved by the party responsible for compliance could void the user's authority to operate the equipment.

Note: This equipment has been tested and found to comply with the limits for a Class B digital device, pursuant to part 15 of the FCC Rules. These limits are designed to provide reasonable protection against harmful interference in a residential installation. This equipment generates uses and can radiate radio frequency energy and, if not installed and used in accordance with the instructions, may cause harmful interference to radio communications. However, there is no guarantee that interference will not occur in a particular installation. If this equipment does cause harmful interference to radio or television reception, which can be determined by turning the equipment off and on, the user is encouraged to try to correct the interference by one or more of the following measures:

- Reorient or relocate the receiving antenna.
- Increase the separation between the equipment and receiver.
- Connect the equipment into an outlet on a circuit different from that to which the receiver is connected.
- Consult the dealer or an experienced radio/TV technician for help.

This equipment complies with FCC radiation exposure limits set forth for an uncontrolled environment. This equipment should be installed and operated with minimum distance 20cm between the radiator & your body.