

SYLVANIA

MODEL NO. SRCD1063BT

BLUETOOTH PORTABLE CD RADIO BOOMBOX

OWNER'S MANUAL



PLEASE READ BEFORE USING THIS UNIT

IMPORTANT SAFETY INSTRUCTIONS



CAUTION
RISK OF ELECTRIC SHOCK
DO NOT OPEN



CAUTION: TO REDUCE THE RISK OF ELECTRIC SHOCK, DO NOT REMOVE COVER (OR BACK). NO USER-SERVICEABLE PARTS INSIDE. REFER SERVICING TO QUALIFIED SERVICE PERSONNEL.



DANGEROUS VOLTAGE:

The lightning flash with arrowhead symbol, within an equilateral triangle is intended to alert the user to the presence of uninsulated dangerous voltage within the product's enclosure that may be of sufficient magnitude to constitute a risk of electric shock to persons.



ATTENTION:

The exclamation point within an equilateral triangle is intended to alert the user to the presence of important operating and maintenance (servicing) instructions in the literature accompanying the appliance.



DANGER:

Invisible and hazardous laser radiation when open and interlock failed or defeated. Avoid direct exposure to beam.



This equipment is a Class II or double insulated electrical appliance. It has been designed in such a way that it does not require a safety connection to electrical earth.

FCC WARNING:

This equipment may generate or use radio frequency energy. Changes or modifications to this equipment may cause harmful interference unless the modifications are expressly approved in the instruction manual. The user could lose the authority to operate this equipment if an unauthorized change or modification is made.

SURGE PROTECTORS:

It is recommended to use a surge protector for AC connection. Lightning and power surges ARE NOT covered under warranty for this product.

LASER SAFETY: This unit employs a laser. Only qualified service personnel should attempt to service this device due to possible eye injury.

CAUTION: USE OF CONTROLS, ADJUSTMENTS OR PERFORMANCE PROCEDURE HEREIN MAY RESULT IN HAZARDOUS RADIATION EXPOSURE.

INFORMATION:

This equipment has been tested and found to comply with the limits for a Class B digital device, pursuant to Part 15 of the FCC Rules. These limits are designed to provide reasonable protection against harmful interference in a residential installation. This equipment generates, uses and can radiate radio frequency energy and, if not installed and used in accordance with the instructions, may cause harmful interference to radio communications. However, there is no guarantee that interference will not occur in a particular installation. If this equipment does cause harmful interference to radio or television reception, which can be determined by turning the equipment off and on, the user is encouraged to try to correct the interference by one or more of the following measures:

- * Reorient or relocate the receiving antenna.
- * Increase the separation between the equipment and receiver.
- * Connect the equipment into an outlet on a circuit different from that to which the receiver is connected.
- * Consult the dealer or an experienced radio/TV technician for help.

IMPORTANT SAFETY INSTRUCTIONS

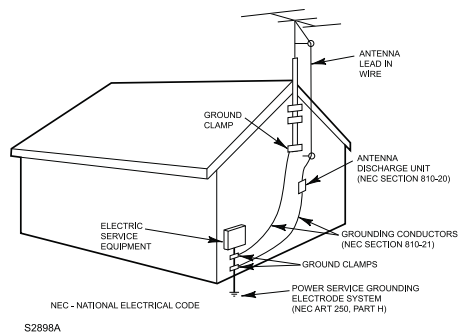
Before using the unit, be sure to read all operating instructions carefully. Please note that these are general precautions and may not pertain to your unit. For example, this unit may not have the capability to be connected to an outdoor antenna.

1. Read these instructions – All the safety and operating instructions should be read before this product is operated.
2. Keep these instructions – The safety and operating instructions should be retained for future reference.
3. Heed all warnings – All warnings on the appliance and in the operating instructions should be adhered to.
4. Follow all instructions – All operating and use instructions should be followed.
5. Do not use this apparatus near water – The appliance should not be used near water or moisture – for example, in a wet basement or near a swimming pool, and the like.
6. Clean only with dry cloth.
7. Do not block any ventilation openings. Install in accordance with the manufacture's instructions.
8. Do not install near any heat sources such as radiators, heat registers, stoves, or other apparatus (including amplifiers) that produce heat.
9. Do not defeat the safety purpose of the polarized or grounding-type plug. A polarized plug has two blades with one wider than the other. A grounding-type plug has two blades and a third grounding prong. The wide blade or the third prong are provided for your safety. If the provided plug does not fit into your outlet, consult an electrician for replacement of the obsolete outlet.
10. Protect the power cord from being walked on or pinched particularly at plugs, convenience receptacles, and the point where they exit from the apparatus.
11. Only use attachments/accessories specified by the manufacturer.
12. Use only with the cart, stand, tripod, bracket, or table specified by the manufacturer, or sold with the apparatus. When a cart is used, use caution when moving the cart/apparatus combination to avoid injury from tip-over.



13. Unplug this apparatus during lightning storms or when unused for long periods of time.
14. Refer all servicing to qualified service personnel. Servicing is required when the apparatus has been damaged in any way, such as power-supply cord or plug is damaged, liquid has been spilled or objects have fallen into the apparatus, the apparatus has been exposed to rain or moisture, does not operate normally, or has been dropped.
15. This apparatus shall not be exposed to dripping or splashing water and that no object filled with liquids such as vases shall be placed on the apparatus.
16. Main plug is used as disconnect device and it should remain readily operable during intended use. In order to disconnect the apparatus completely, the main plug should be disconnected from the main socket outlet completely.
17. Battery shall not be exposed to excessive heat such as sunshine, fire or the like.
18. **OUTDOOR ANTENNA GROUNDING**

If an outside antenna is connected to the product, be sure the antenna system is grounded so as to provide some protection against voltage surges and built-up static charges. Section 810 of the National Electric Code, ANSI/NFPA 70, provides information with respect to proper grounding of the mast and supporting structure, grounding of the lead-in wire to an antenna discharge product, size of grounding conductors, location of antenna discharge product, connection to grounding electrodes and requirements for grounding electrodes.



EXAMPLE OF ANTENNA GROUNDING AS PER NATIONAL ELECTRICAL CODE

IMPORTANT SAFETY INSTRUCTIONS

19. SERVICING

Do not attempt to service this product yourself as opening or removing covers may expose you to dangerous voltage or other hazards. Refer all servicing to qualified service personnel.

20. REPLACEMENT PARTS

When replacement parts are required, be sure the service technician uses replacement parts specified by the manufacturer or those that have the same characteristics as the original part. Unauthorized substitutions may result in fire, electric shock or other hazards.

21. SAFETY CHECK

Upon completion of any service or repairs to this product, ask the service technician to perform safety checks to determine that the product is in proper operating condition.

22. DAMAGE REQUIRING SERVICE

Unplug the product from the wall outlet and refer servicing to qualified service personnel under the following conditions:

- a. When the power-supply cord or plug is damaged.
- b. If liquid has been spilled or objects have fallen into the product.
- c. If the product has been exposed to rain or water.
- d. If the product does not operate normally by following the operating instructions. Adjust only those controls that are covered by the operating instructions, as an adjustment of other controls may result in damage and will often require extensive work by a qualified technician to restore the product to its normal operation.
- e. If the product has been dropped or the cabinet has been damaged.
- f. When the product exhibits a distinct change in performance this indicates a need for service.

23. HEAT

The product should be situated away from heat sources such as radiators, heat registers, stoves or other products (including amplifiers) that produce heat.

24. NOTE TO CATV SYSTEM INSTALLER

This reminder is provided to call the CATV system installer's attention to Article 820-40 of the NEC that provides guidelines for proper grounding and, in particular, specifies that the cable ground shall be connected to the grounding system of the building, as close to the point of cable entry as practical.

Warning:

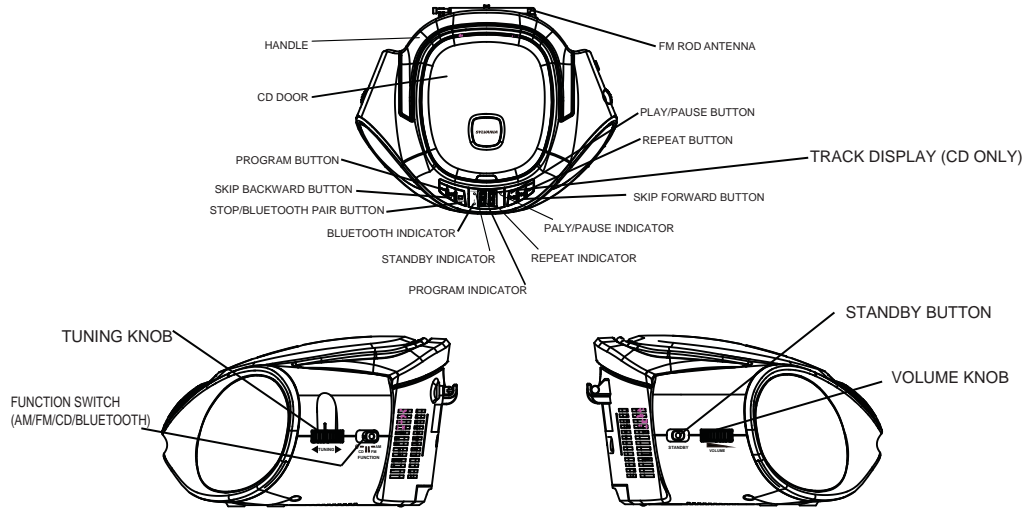
- Changes or modifications to this unit not expressly approved by the party responsible for compliance could void the user's authority to operate the equipment.
- Please refer the information on exterior bottom enclosure for electrical and safety information before installing or operating the apparatus.

Note: This equipment has been tested and found to comply with the limits for a Class B digital device, pursuant to Part 15 of the FCC Rules.

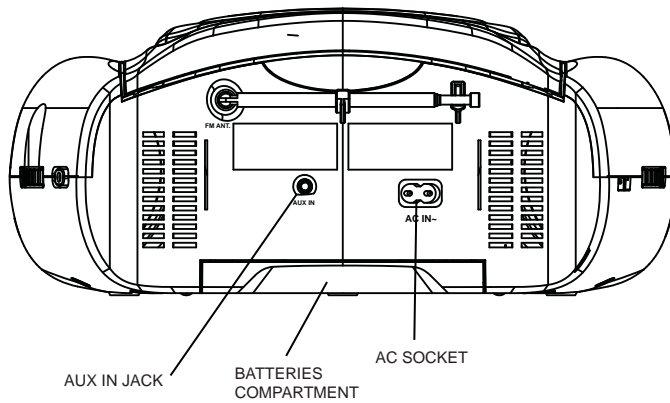
These limits are designed to provide reasonable protection against harmful interference in a residential installation. This equipment generates, uses and can radiate radio frequency energy and, if not installed and used in accordance with the instructions, may cause harmful interference to radio communications. However, there is no guarantee that interference will not occur in a particular installation. If this equipment does cause harmful interference to radio or television reception, which can be determined by turning the equipment off and on, the user is encouraged to try to correct the interference by one or more of the following measures:

- Reorient or relocate the receiving antenna.
- Increase the separation between the equipment and receiver.
- Connect the equipment into an outlet on a circuit different from that to which the receiver is connected.
- Consult the dealer or an experienced radio/TV technician for help.
- This equipment complies with FCC RF radiation exposure limits set forth for an uncontrolled environment.
- This equipment should be installed and operated with a minimum distance of 20 centimeters between the radiator and your body.

Control Location (Top Views)



Control Location (Rear View)



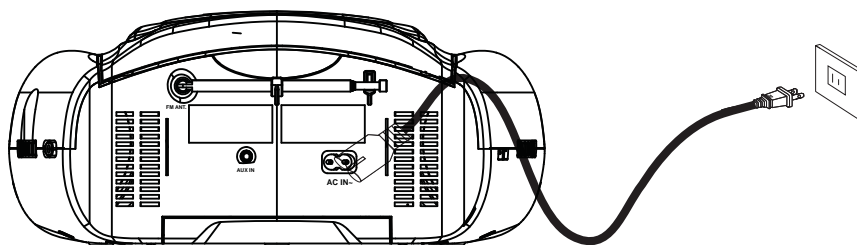
Power Connection

Connecting AC Power

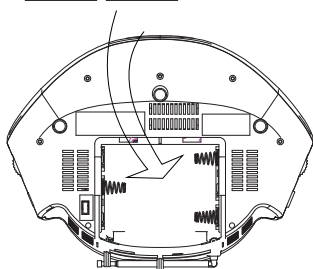
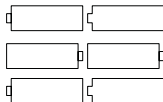
Connect the small end of AC cord to the socket at the back of the main unit and insert the plug of AC cord into standard AC wall outlet.

Caution:

The unit is designed to operate from mains supply of AC 120V~60Hz. If the plug of AC cord does not fit properly, try to turn it over and try again. Do not force it. When the unit is intended for being unused for a long period of the time. Please press the STANDBY button to turn off the unit and unplug the power cord from the AC wall outlet. AC



BATT. SUPPLY: UM-2 / LR14 / SIZE "C" 1.5V x 6



Battery Operation

Before installing batteries (not included), ensure that the unit is disconnected from the mains supply.

Remove the battery compartment cover on the bottom of the unit by sliding the battery cover with the opening direction indicated on the battery cover.

Install 6 pieces of 1.5V (UM2) batteries (not included) by following the polarity markings and then replace the cover.

For battery operation, unplug the AC cord from the AC wall outlet first and then remove the AC cord from the socket at the back of the main unit.

Caution:

There is a danger of explosion if batteries are replaced incorrectly.

Replace batteries with the same type and same brand only.

*When the unit is intended for being unused for a long period of the time, press the **STANDBY** button to turn **OFF** the unit and remove all batteries from the main unit*

Switching On for the first time

Plug into AC power or install batteries by following instructions on the previous **Power Connection** section. The **STANDBY** indicator will lit. Press the **STANDBY** button to turn on the unit. The **STANDBY** indicator will be lighted off.

To turn the unit off, press the **STANDBY** button again to turn the unit off.

Switching between different sources (AM/FM/CD/BLUETOOTH)

After turning on the unit, press and toggle **FUNCTION** switch to select different sound sources.

Adjusting sound volume level

After turning on the unit, turn the **VOLUME** knob to adjust the level of sound volume.

Adjusting the rod antenna

The aerial should be extended to ensure good reception in both **FM** radio modes. It may be necessary to adjust the position of the unit and /or aerial position to achieve the best signal reception.

CD Operation

The unit is designed to play normal music CD disc bearing the correct identification logo. If the disc does not conform to the standard, it may not be played back properly.



Caution:

- Playback of CD-R / CD-RW may depend on recording conditions.
- Do not attach a seal or label to either side (the recordable side or the labeled side) of a CD-R / RW disc. It may cause malfunction.
- Do not load a blank CD-R / RW disc. It will take over 1 minute to read the disc. The disc may be damaged if you try to open the CD Door while reading the disc.
- CD-ROM, CD-I, CDV, VCD, DVD or computer CDs are not possible to be read.

Loading disc

1. Press and toggle the **FUNCTION** button to switch to **CD** mode.
2. Press down the **OPEN/CLOSE AREA** on the CD door on the top of the unit to unlock and open the CD door.
3. Hold the CD disc by its edge with CD graphical side facing up and put it onto the CD compartment after the CD door is opened. Make sure that the disc label is facing up.
4. Close the CD door and make sure the **VOLUME** knob is not in minimum position.

CD playback

After loading the disc, the disc will begin spinning and the total number of the tracks on the disc will be shown on the display, and the first track/file on the CD will be played back automatically.

Remark:

- If there is no disc in the unit, "NO" will be indicated on the display.
- If the CD cannot be read, "NO" will be indicated on the display.

Play/Pause Control

To pause playback temporarily by pressing the **PLAY/PAUSE** button. Music playback will be paused and the current elapsed track number will be shown on the display and the play icon will be blinking. Press the **PLAY/PAUSE** button again to resume playback.

Stop playback

To stop playback, press the **STOP** button on the unit. The total number of tracks of the disc will be displayed.

Skip track

During playback, press the forward or backward **SKIP** buttons to skip to the next or previous tracks.

High-speed music search

During playback, press and hold the forward or backward **SKIP** buttons to skip/search through the current track at high speed in forward or backward directions. When the **SKIP** buttons are released, normal playback speed will be resumed immediately.

CD Operation-Continued

Repeat playback modes (Repeat 1 / Repeat all)

Repeat the Current Track

During playback, press the REPEAT button once to repeat the current CD track.

Repeat All Tracks

During playback, press the REPEAT button twice to repeat the entire album.

Return to normal playback

Press the REPEAT button until NO repeat indicator is displayed. The normal playback will be resumed.

Programmed CD playback

This unit can be programmed to play up to 20 tracks in CD mode. Load the music CD disc onto the CD compartment (without pressing the "PLAY/PAUSE" button)

1. Press **PROGRAM** button once in the stop mode. "P01" will be shown on the display and blinking.
2. Press the **SKIP** buttons to select the desired track to be programmed.
3. Press **PROGRAM** button again to save the selected track/files.
4. Repeat steps 2-3 to program up to 20 tracks.
5. Press the **PLAY/PAUSE** button to play the programmed tracks after programming is completed. The "**PROG**" indicator will lit.
6. To clear program and resume normal playback, press the **STOP** button twice during playback, or open the CD door, or change to next mode to clear the programmed tracks.

Remark:

The unit can store up to 20 tracks in the programmable memories. During the programmed playback, user can still select the "repeat 1 / repeat all" functions.

Bluetooth Operation

1. If the unit has never been paired with a Bluetooth device before, you need to follow the pairing instructions below to link the **SRCD1063BT** with your Bluetooth device.
 - Press the **POWER** button to turn on the unit.
 - Press and toggle the **FUNCTION** button to select Bluetooth mode. The unit will search the paired device with the "BLUETOOTH" Indicator lit.
 - Press and hold the **STOP/PAIR Button** for 4~5 seconds. Then the "BLUETOOTH" Indicator is flashing, the unit will go into Pairing/Discoverable mode.
 - Turn on the Bluetooth function of your Bluetooth device and enable the search or scan function to find the unit.
 - Select "**SRCD1063BT**" from the device list when it appears on your device screen. If required, enter the pass code "0000" to pair (link) the unit with your device.
 - After successfully pairing (linking) the Bluetooth enabled device the "BLUETOOTH" Indicator steadily and a short beep will be heard.

Note: If you can't pair the unit with your Bluetooth enabled device, you can try to turn Off & On the power of your unit to solve the problem.

Radio Operation

The unit is designed to receive FM Stereo / FM and AM radio bands.

1. Switch and toggle the **FUNCTION** button on the top of the unit to switch to AM or FM mode.
2. Adjust the **TUNING** knob on the top of unit to tune the frequency of desired radio station.
3. To turn off the unit power, press the **STANDBY** button to switch off the unit.

Remark:

The unit has built-in AM ferrite bar antenna, which can provide adequate reception in most areas. If the AM reception is weak, try to adjust the location of the unit or relocate the unit to improve the reception. If the FM reception is weak, try to adjust the length and the angle of the FM antenna to improve the signal reception.

AUX IN Operation

Setting up (AUX IN) connection

AUX-IN jack will allow you to connect external music player or external sound source to the main unit.

1. Plug into a 3.5mm audio cable (not included) into your external music player and connect the other end (3.5mm jack) into the **AUX IN** jack on the top of the unit.
2. Make sure your external music player is turned on and start music playback on the music player
3. Adjust **VOLUME** knob to control the sound level of music playback from the speakers on the unit.

Specifications

Power Output	1.2 watt RMS x 2 channels
AC Power	AC120V~60Hz
Battery Size	UM-2 or C-Size batteries x 6 PCS
Radio Frequency	FM: 87.5 – 108MHz , AM: 520- 1710 kHz