



# PHILCO

# 1.8" DUAL ALARM CLOCK RADIO

**With USB Charging and Bluetooth**

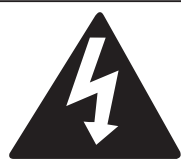
***OWNER'S MANUAL***

PLEASE READ BEFORE OPERATING THIS EQUIPMENT.

**MODEL: PAR1018BT-GR**

Size: 148.5(W) x 210(H)mm (A5)

# SAFETY INSTRUCTIONS

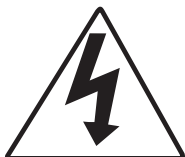


## CAUTION

RISK OF ELECTRIC SHOCK  
DO NOT OPEN



**CAUTION:** TO REDUCE THE RISK OF ELECTRIC SHOCK, DO NOT REMOVE COVER (OR BACK). NO USER-SERVICEABLE PARTS INSIDE. REFER SERVICING TO QUALIFIED SERVICE PERSONNEL.



**DANGEROUS VOLTAGE:**  
The lightning flash with arrowhead symbol, within an equilateral triangle is intended to alert the user to the presence of uninsulated dangerous voltage within the product's enclosure that may be of sufficient magnitude to constitute a risk of electric shock to persons.



**ATTENTION:**  
The exclamation point within an equilateral triangle is intended to alert the user to the presence of important operating and maintenance (servicing) instructions in the literature accompanying the appliance.

### FCC WARNING:

This equipment may generate or use radio frequency energy. Changes or modifications to this equipment may cause harmful interference unless the modifications are expressly approved in the instruction manual. The user could lose the authority to operate this equipment if an unauthorized change or modification is made.

### SURGE PROTECTORS:

It is recommended to use a surge protector for AC connection. Lightning and power surges ARE NOT covered under warranty for this product.

### INFORMATION:

This equipment has been tested and found to comply with the limits for a Class B digital device, pursuant to Part 15 of the FCC Rules. These limits are designed to provide reasonable protection against harmful interference in a residential installation. This equipment generates, uses and can radiate radio frequency energy and, if not installed and used in accordance with the instructions, may cause harmful interference to radio communications. However, there is no guarantee that interference will not occur in a particular installation. If this equipment does cause harmful interference to radio or television reception, which can be determined by turning the equipment off and on, the user is encouraged to try to correct the interference by one or more of the following measures:

- \* Reorient or relocate the receiving antenna.
- \* Increase the separation between the equipment and receiver.
- \* Connect the equipment into an outlet on a circuit different from that to which the receiver is connected.
- \* Consult the dealer or an experienced radio/TV technician for help.

# SAFETY INSTRUCTIONS

Before using the unit, be sure to read all operating instructions carefully. Please note that these are general precautions and may not pertain to your unit. For example, this unit may not have the capability to be connected to an outdoor antenna.

## 1. READ INSTRUCTIONS

All the safety and operating instructions should be read before the product is operated.

## 2. RETAIN INSTRUCTIONS

The safety and operating instructions should be retained for future reference.

## 3. HEED WARNINGS

All warnings on the product and in the operating instructions should be adhered to.

## 4. FOLLOW INSTRUCTIONS

All operating and use instructions should be followed.

## 5. CLEANING

Unplug this product from the wall outlet before cleaning. Do not use liquid cleaners or aerosol cleaners. Use a dry cloth for cleaning.

## 6. ATTACHMENTS

Do not use attachments not recommended by the product's manufacturer as they may cause hazards.

## 7. WATER AND MOISTURE

Do not use this product near water—for example: near a bathtub, washbowl, kitchen sink or laundry tub; in a wet basement; or near a swimming pool.

## 8. VENTILATION

Slots and openings in the cabinet and in the back or bottom are provided for ventilation, to ensure reliable operation of the product and to protect it from overheating. These openings must not be blocked or covered. The openings should never be blocked by placing the product

## 9. POWER SOURCES

This product should be operated only from the type of power source indicated on the marking label. If you are not sure of the type of power supply to your home, consult your appliance dealer or local power company. For products intended to operate from battery power, or other sources, refer to the operating instructions.

## 10. GROUNDING OR POLARIZATION

This product is equipped with a polarized alternating-current line plug (a plug having one blade wider than the other). This plug will fit into the power outlet only one way. This is a safety feature. If you are unable to insert the plug fully into the outlet, try reversing the plug. If the plug should still fail to fit, contact your electrician to replace your obsolete outlet. Do not defeat the safety purpose of the polarized plug.

## 11. POWER-CORD PROTECTION

Power-supply cords should be routed so that they are not likely to be walked on or pinched by items placed upon or against them, paying particular attention to cords at plugs, convenience receptacles, and the point where they exit from the appliance.

## 12. LIGHTNING

To protect your product from a lightning storm, or when it is left unattended and unused for long periods of time, unplug it from the wall outlet. This will prevent damage to the product due to lightning and power-line surges.

## 13. OVERLOADING

Do not overload wall outlets and extension cords as this can result in a risk of fire or electric shock.

## 14. OBJECT AND LIQUID ENTRY

Never push objects of any kind into this product through openings as they may touch dangerous voltage points or short out parts that could result in fire or electric shock. Never spill or spray any type of liquid on the product.

# SAFETY INSTRUCTIONS

## 15. SERVICING

Do not attempt to service this product yourself as opening or removing covers may expose you to dangerous voltage or other hazards. Refer all servicing to qualified service personnel.

## 16. REPLACEMENT PARTS

When replacement parts are required, be sure the service technician uses replacement parts specified by the manufacturer or those that have the same characteristics as the original part. Unauthorized substitutions may result in fire, electric shock or other hazards.

## 17. SAFETY CHECK

Upon completion of any service or repairs to this product, ask the service technician to perform safety checks to determine that the product is in proper operating condition.

## 18. DAMAGE REQUIRING SERVICE

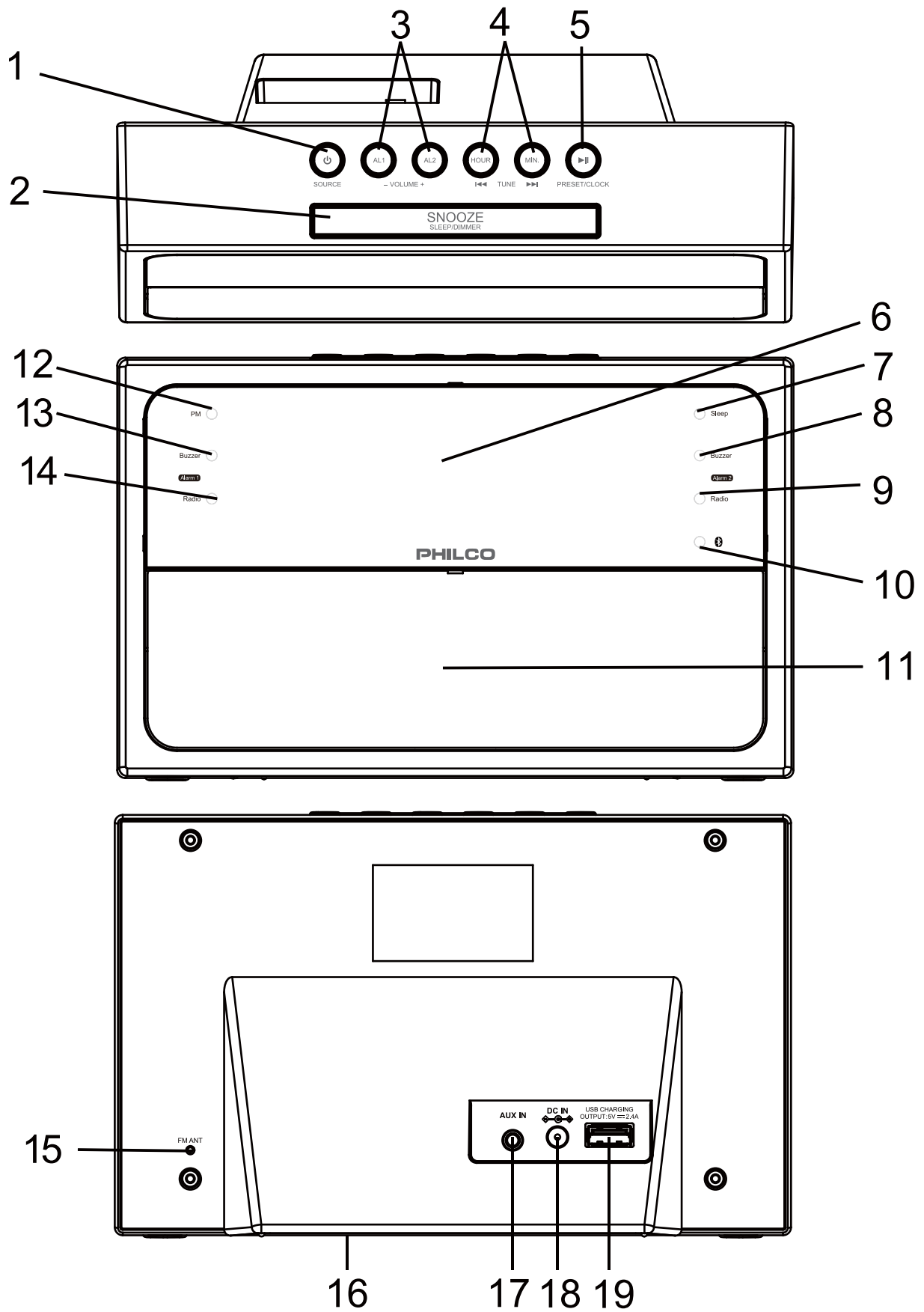
Unplug the product from the wall outlet and refer servicing to qualified service personnel under the following conditions:

- a. When the power-supply cord or plug is damaged.
- b. If liquid has been spilled or objects have fallen into the product.
- c. If the product has been exposed to rain or water.
- d. If the product does not operate normally by following the operating instructions. Adjust only those controls that are covered by the operating instructions, as an adjustment of other controls may result in damage and will often require extensive work by a qualified technician to restore the product to its normal operation.
- e. If the product has been dropped or the cabinet has been damaged.
- f. When the product exhibits a distinct change in performance this indicates a need for service.

## 19. HEAT

The product should be situated away from heat sources such as radiators, heat registers, stoves or other products (including amplifiers) that produce heat.

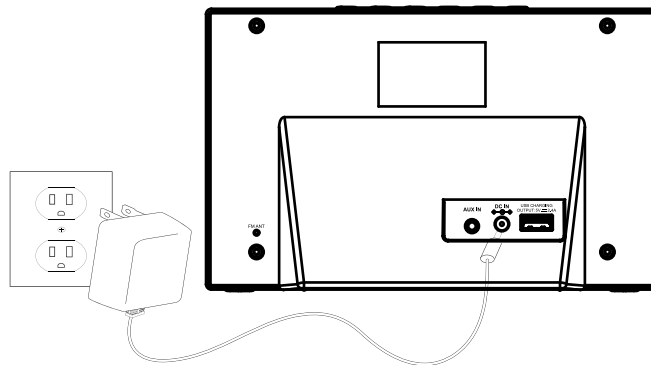
# Control Location



# Control Location

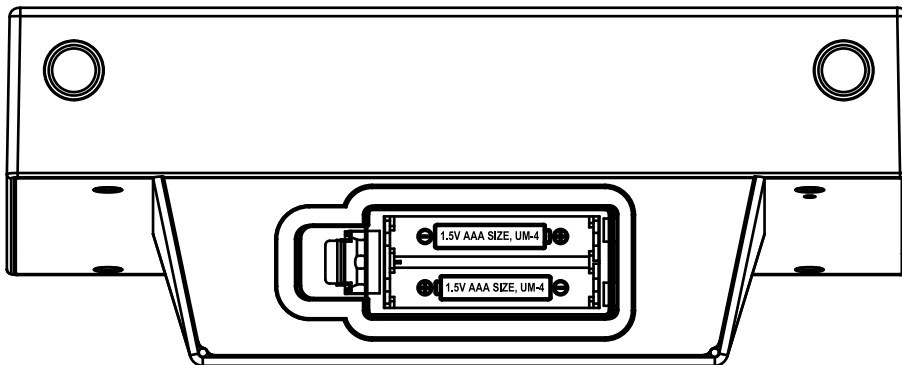
1. POWER ON/OFF & SOURCE BUTTON
2. SNOOZE/SLEEP/DIMMER BUTTON
3. VOLUME UP/DOWN & ALARM 1/ ALARM 2 BUTTON
4. TUNING UP/DOWN & HOUR / MINUTE BUTTON
5. PLAY/PAUSE/PRESET & CLOCK BUTTON
6. CLOCK DISPLAY
7. SLEEP INDICATOR
8. ALARM 2 MODE - BUZZER
9. ALARM 2 MODE - RADIO
10. BLUETOOTH INDICATOR
11. SPEAKER
12. PM INDICATOR
13. ALARM 1 MODE - BUZZER
14. ALARM 1 MODE - RADIO
15. FM ANTENNA
16. BACKUP BATTERY COMPARTMENT (2 x "AAA" Size - Not Included)
17. AUX IN JACK
18. DC JACK
19. USB CHARGING PORT (5V/2.4A)

# Power Connection



Plug the included AC/DC power adapter (100-240V 50/60Hz 5V/1A) into the DC Jack on the rear of the unit and the other end is plugged into the wall outlet.

# Battery Backup



The battery backup is intended for short power outages only. The clock radio's primary functions cannot run off of the battery backup alone.  
Requires 2, AAA Size, batteries (Not Include)

## Setting Clock

1. In standby mode, press and hold the PRESET & CLOCK BUTTON.
2. The hours will blink. Press TUNING DOWN & HOUR BUTTON to set the current hour.
3. Press the TUNING UP & MINUTE BUTTON to set the current minute.
4. Press PRESET & CLOCK BUTTON once and the current time is set.

NOTE: The PM indicator will light when the hour is set in the PM

## Setting Sleep Timer

When listening to radio, press SNOOZE BUTTON to enter sleep mode.

You can just adjust the sleep timer from 10 to 90 minutes by pressing the SNOOZE BUTTON.

The unit will automatically turn off after the selected time expires.

## Alarm Operation

### Setting the Alarm

1. If in radio mode, press and hold the POWER & SOURCE BUTTON to turn the unit off.
2. Press the VOLUME DOWN & ALARM ONE BUTTON or VOLUME UP & ALARM TWO BUTTON.
3. Press the TUNING DOWN & HOUR BUTTON to adjust the hour.  
*\*The PM indicator will light when the hour is set in the PM*
4. Press the TUNING UP & MINUTE BUTTON to adjust the minute.  
*\*The Alarm One or Alarm Two indicator will come on.*
5. Press the VOLUME DOWN & ALARM ONE BUTTON or VOLUME UP & ALARM TWO BUTTON repeatedly to switch between Radio, Buzzer or Off.
6. Once the set alarm time is reached, the alarm will sound.
7. To set the other alarm, follow the above steps and choose the alarm not currently set.

### Cancelling the Alarm

1. Follow the instructions for Setting the Alarm.
2. Press the VOLUME DOWN & ALARM ONE BUTTON or VOLUME UP & ALARM TWO BUTTON repeatedly until the indicator is no longer lit.

### When the Alarm sounds

Press SNOOZE BUTTON to delay for an additional 9 minutes.

Press POWER & SOURCE BUTTON to turn the alarm off until the set alarm time is reached again.

## USB Charge

1. Make sure the unit is plugged into the wall
2. Using the appropriate USB charging cable (not included), connect one end to the device and the other to the USB Charger on the unit.

Refer to the user's manual for your specific device for manufacturers required charging amperage as well as determining the appropriate cable for your device before charging.

Note: This device uses a USB charging port with a 2400mA maximum charging capacity.

3. The device will now charge.

## **Bluetooth Operation**

### **Pairing a Bluetooth Device for The First Time**

1. Power on and the unit by pressing the POWER & SOURCE BUTTON.
2. Press the POWER & SOURCE BUTTON to switch to Bluetooth mode and BLUETOOTH MODE INDICATOR will blink.
3. Using the native controls on your Bluetooth device, select the "PAR1018BT" in your Bluetooth settings to pair.
4. If your device request a password, enter the default password 0000 or 1234.
5. Refer to the user's manual for your specific device for instructions on pairing and connecting Bluetooth devices.
6. When successfully paired and connected, the Pairing indicator will be solid.
7. After initial pairing, the unit will stay paired unless unpaired manually by the user or erased due to the reset of the device.
8. If your device should become unpaired or you find it is unable to connect, repeat the above steps or press the PLAY/PAUSE/PRESET & CLOCK BUTTON that it can disconnect the BT connection and go into BT pairing mode.

### **Playing Audio through Bluetooth**

1. After successfully pairing to a device, use the native controls on the connected Bluetooth device to select a track.
2. To play or pause the selected track, use the native controls on the connected Bluetooth device, or the PLAY/PAUSE/PRESET & CLOCK BUTTON.
3. To skip forward or back on the select track, use the native controls on the connected Bluetooth device or the TUNE buttons on the unit.
4. Audio played through the connected Bluetooth device will now be heard throught the speakers.

## **AUX IN Operation**

Using the AUX IN audio Input

Require a 3.5mm audio cable (not include).

1. Connect a 3.5mm audio cable to the AUX IN JACK on the side of the audio output on an audio device.
2. Press the POWER & SOURCE BUTTON to turn the unit on.
3. Press the POWER & SOURCE BUTTON to switch to AUX IN mode.
4. Use the native controls on the connected device to play your audio through the unit.



# Listening FM Radio

1. Press the POWER & SOURCE BUTTON to turn the clock radio on
2. Press the POWER & SOURCE BUTTON again to switch on FM radio mode.
3. Press TUNING DOWN & HOUR BUTTON and TUNING UP & MINUTE BUTTON to adjust the radio to desired frequency.
4. Press and hold the TUNING UP & HOUR BUTTON and TUNING DOWN & MINUTE BUTTON to search for the next available frequency.
5. Press the POWER & SOURCE BUTTON to turn the clock radio off.

## Saving a Station as Preset

1. Follow the instructions for Tuning the FM Radio.
2. Tune to the desired station
3. Press and hold the PRESET & CLOCK BUTTON to save the current radio station as a preset.

## Tuning to a Preset Radio Station

1. Follow the instructions for Tuning the radio and saving a station as a preset.
2. Press the PRESET & CLOCK BUTTON to cycle through preset radio stations.

### Notes:

- \* Adjust the position of the FM antenna to improve FM Radio reception.
- \* This unit can store up to 20 FM radio stations presets.

# Troubleshooting

Symptom	Possible Cause	Solution
Noise or sound distorted on FM broadcast	Station not tuned properly for FM.	Fine tune the FM broadcast station. FM: Fully extend the FM antenna.
FM no sound	Volume at minimum	Increase Volume

# Specification

Frequency:  
FM 87.5 - 108 MHz  
Power Output: 2W RMS  
AC Adapter: AC 100V - 240V ~50/60Hz 5V 2.4A  
USB Charging: DC 5V, 2.4A  
Bluetooth Version: 5.0  
Back-up Battery: 2 x DC 1.5V AAA batteries (Not Included)

## ACCESSORIES

1 x Owner's Manual  
1 x AC/DC Adapter

**SPECIFICATIONS AND ACCESSORIES ARE SUBJECT TO CHANGE WITHOUT NOTICE**

PHC Americas, LLC ("PHC Americas") warrants this product against defects in material or workmanship for the time periods and as set forth below when purchased directly from PHC Americas or a PHC Americas Retailer. Pursuant to this Limited Warranty, PHC Americas will, at its option, (i) repair the product using new or refurbished parts, (ii) replace the product with a new or refurbished product, or (iii) recommend you return to retailer for exchange or refund. For purposes of this Limited Warranty, "refurbished" means a product or part that has been returned to its original specifications. In the event of a defect, these are your exclusive remedies.

**Parts & Labor:** For a period of six (6) months from the original date of purchase of the product, PHC Americas will, at its option, repair or replace with new or refurbished product, product determined to be defective.

Instructions: To obtain warranty service, you must deliver the product, freight prepaid, in either its original packaging or packaging affording an equal degree of protection to the PHC Americas service facility. A **dated purchase receipt** from PHC Americas or a PHC Americas Retailer is required.

For specific instructions on how to obtain warranty service for your product,

Visit Web Site: [www.Philco.US](http://www.Philco.US)  
Email us: [Support@PHCAmericas.com](mailto:Support@PHCAmericas.com)  
Call us: 1-888-718-4525

This Limited Warranty shall apply to any repair, replacement part or replacement product for the remainder of the original Limited Warranty period or for six (6) months, whichever is longer. Any parts or product replaced under this Limited Warranty will become the property of PHC Americas. This Limited Warranty only covers product issues caused by defects in material or workmanship during ordinary consumer use; it does not cover product issues caused by any other reason, including but not limited to product issues due to commercial use, acts of God, misuse, limitations of technology, or modification of or to any part of the PHC Americas product or product purchased from other than PHC Americas or a PHC Americas Retailer.

This Limited Warranty does not cover PHC Americas products sold AS IS or WITH ALL FAULTS or consumables (such as fuses or batteries).

This Limited Warranty is invalid if the factory-applied seal has been altered or removed from the product. This Limited Warranty is valid only in the United States and Canada. LIMITATION ON DAMAGES: PHC AMERICAS SHALL NOT BE LIABLE FOR ANY INCIDENTAL OR CONSEQUENTIAL DAMAGES FOR BREACH OF ANY EXPRESS OR IMPLIED WARRANTY ON THIS PRODUCT. DURATION OF IMPLIED WARRANTIES: EXCEPT TO THE EXTENT PROHIBITED BY APPLICABLE LAW, ANY IMPLIED WARRANTY OF MERCHANTABILITY OR FITNESS FOR A PARTICULAR PURPOSE ON THIS PRODUCT IS LIMITED IN DURATION TO THE DURATION OF THIS WARRANTY.

Some states do not allow the exclusion or limitation of incidental or consequential damages or allow limitations on how long an implied warranty lasts, so the above limitations or exclusions may not apply to you. This Limited Warranty gives you specific legal rights and you may have other rights which vary from state to state.