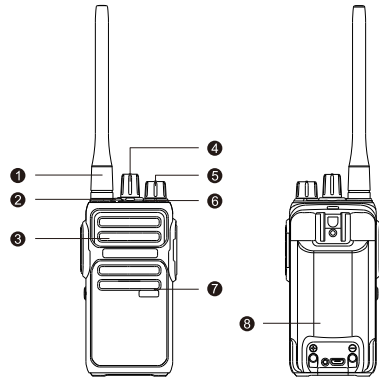


Warm reminder:

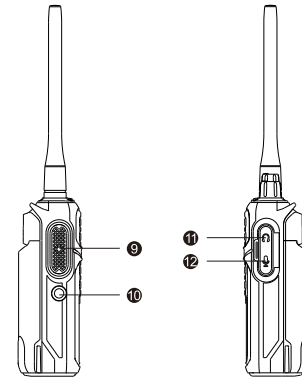
In order to avoid failure, please use our charger for charging.

User's Manual

Basic Introduction



- ① Antenna
- ② Monitor
- ③ Speaker
- ④ Channel Knob
- ⑤ Volume Switch
- ⑥ Indicator Light
- ⑦ Microphone
- ⑧ Battery



- ⑨ Side key PTT
- ⑩ Side Key
- ⑪ Earphone Interface
- ⑫ Microphone Interface

Indicator

Green light flashes when radio is receiving. Red light flashes when radio is transmitting. The green light flashes every few seconds when standby.

Channel Switch

Choosing desired channel to communication from 1-16. Channel selection is carried out by rotating channel knob switch.

Power Switch

Rotating volume switch reduces/increases volume and switching power supply.

PTT

Over the side of the radio is the PTT switch. Press PTT and face to microphone to communicate with the others while red light indicating.

Monitor

Press the monitor key on the side of the radio to turn on the function of receiving and monitoring.

Squelch level

The purpose of the squelch is to mute the speaker when no signals are present:

Lower squelch level, high background noise hear, longer communication range, weaker the anti-interference.

Level 0 is to open the squelch. The higher the selected squelch level, the stronger the signals must be when receiving.

TOT

This function can prevent users occupied the present channel for long time and limit TX time, meanwhile prevent radio from damage by long time transmitting.

Scan

When the radio enters 16 channels, it enters the scanning function automatically.

Battery Voltage Alert

When the battery voltage is lower, the voice will sound "please charge", and prohibit transmitting.

Busy Channel Lockout

If radio programmed with BCLO, pressing PTT to prohibit TX after receiving the signal and accompanied by a long beep alarm sound.

Local alarm function

Press the alarm button on the top of the radio. At this time, the radio will send out the alarm sound. When press it again, the alarm turns off.

Warranty Card

Contact : _____

Company Name: _____

ADD: _____

Warranty Card No.: _____ Post Code: _____

Tel: _____ Mob.: _____

Fax: _____ Email: _____

Ordered : _____ Model: _____

Ordered No.: _____ Purchased Date: _____

(S/N): _____ (EAN): _____

Trouble Description: _____

FCC Warning

Operation is subject to the following two conditions:

- (1) This device may not cause interference, and
- (2) This device must accept any interference, including interference that may cause undesired operation of the device.

RF Exposure compliance Statement and operating instructions

The device has been tested against the SAR limit (1.6W/kg). The highest SAR value reported under this standard during product certification for use at the Face up is 0.740W/kg and when properly worn on the body is 1.558 W/kg. This device was tested for typical operations.

The device only supports simplex-mode and transmitting is no more than the rated duty cycle factor of 50% of the time. For hand-held operation, the radio should be held at least 25mm from the user's face. The use of belt clips, holsters and similar accessories should not contain metallic components in its assembly. The use of accessories that do not satisfy these requirements may not comply with RF exposure requirements, and should be avoided. Use only the supplied or an approved antenna.

Channel	Frequency	Model	Channel	Frequency	Model
1	462.5625	FRS	19	462.6500	FRS
2	462.5875	FRS	20	462.6750	FRS
3	462.6125	FRS	21	462.7000	FRS
4	462.6375	FRS	22	462.7250	FRS
5	462.6625	FRS			
6	462.6875	FRS			
7	462.7125	FRS			
15	462.5500	FRS			
16	462.5750	FRS			
17	462.6000	FRS			
18	462.6250	FRS			

ISED WARNING:

This device complies with Innovation, Science and Economic Development Canada licence-exempt RSS standard (s). Operation is subject to the following two conditions: (1) this device may not cause interference, and (2) this device must accept any interference, including interference that may cause undesired operation of the device.

Le présent ariel est conforme aux CNR d'Innovation, la science et le développement économique Canada licencés aux aérails radio exempts de licence.

L'exploitation est autorisée aux deux conditions suivantes:

- (1) l'appareil ne doit pas produire de brouillage, et
- (2) l'utilisateur de l'appareil doit accepter tout brouillage radioélectrique subi, même si le brouillage est susceptible d'en compromettre le fonctionnement.

Important

FCC/ISED RF Exposure Requirements: For body-worn operation, this radio has been tested and meets the FCC / ISEDC RF exposure guidelines when used with Cobra accessories supplied or designated for this product. Use of other accessories may not ensure compliance with FCC/ISED RF exposure guidelines. Use only the supplied antenna. Unauthorized antennas, modifications or attachments could damage the transmitter and may violate FCC/ISED regulations.

Exigences de la FCC/ISED concernant l'exposition aux champs électro-magnétiques RF (radiofréquences): En ce qui concerne le fonctionnement de l'appareil porté sur le corps de l'utilisateur, les tests effectués ont permis de vérifier que cet émetteur-récepteur satisfait aux directives FCC/ISED limitant l'exposition aux champs électro-magnétiques RF lorsqu'il est utilisé avec les accessoires Cobra fournis ou conçus pour ce produit: l'utilisation d'autres accessoires peut ne pas garantir le respect des critères des directives FCC/ISED limitant l'exposition aux champs électro-magnétiques RF. Utilisez l'appareil uniquement avec l'antenne fournie. L'emploi d'une antenne non homologuée ou modifiée, ou d'accessoires non autorisés, pourrait faire subir des dommages à l'appareil, et peut violer les prescriptions de la réglementation FCC/ISED.

Position normale:

Hold the transmitter approximately 1 inches from your face and speak in a normal voice, with the antenna pointed up and away.

Tenir l'émetteur à environ 2.5 cm (1 po) de la bouche et parler normalement, l'antenne étant éloignée et dirigée vers le haut.