 深圳市益凯尔电子有限公司 E-CARE(SHENZHEN) ELECTRONICS Co.,LTD	
Title: 发射线路图	Design: gtwei
Part No: IC6008,76000	Check:
Size: A4	Rev: 00
Appro:	
Date: 2012-12-05	Sheet 1 of 1

6

5

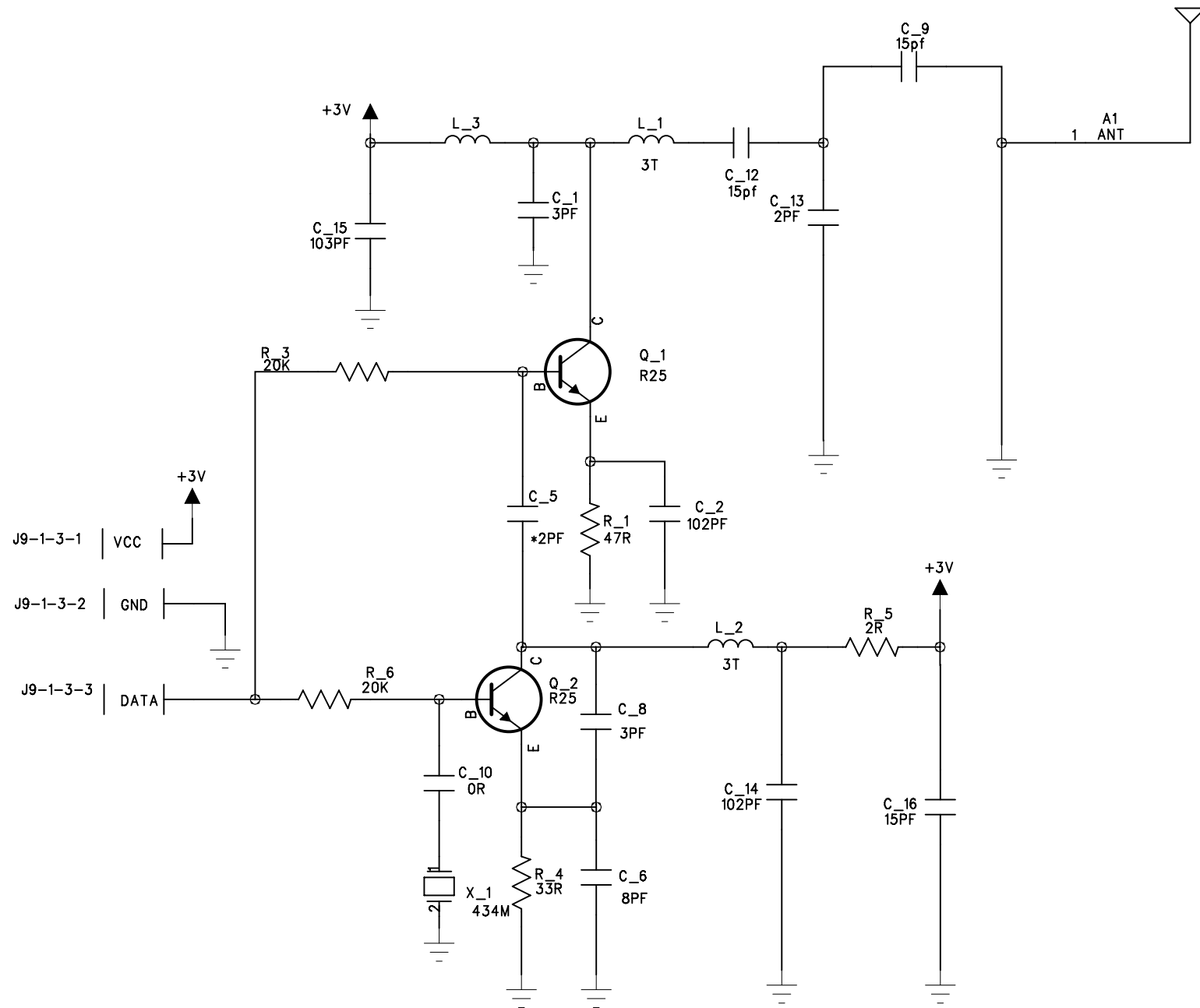
4

3

2

1

RF module SCH



TITLE:

DRAWN:	DATED:	CODE:	SIZE: A4	DRAWING NO:	REV:
CHECKED:	DATED:				00
APPROVED:	DATED:				
SCALE: 1:1				SHEET: OF	