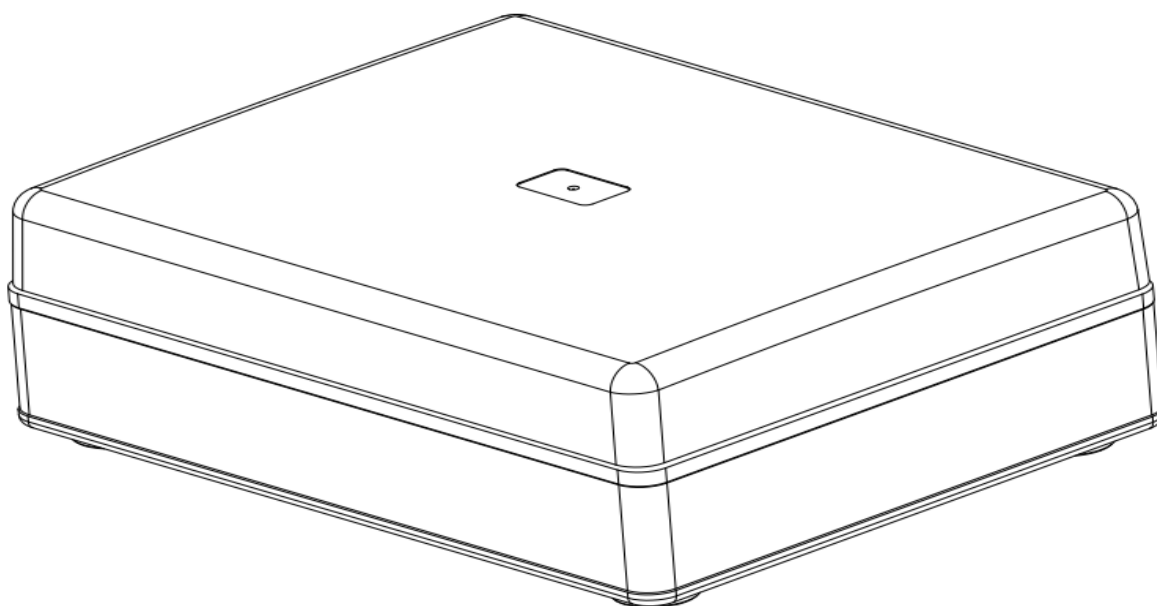


Wireless Turntable with Built in Speakers

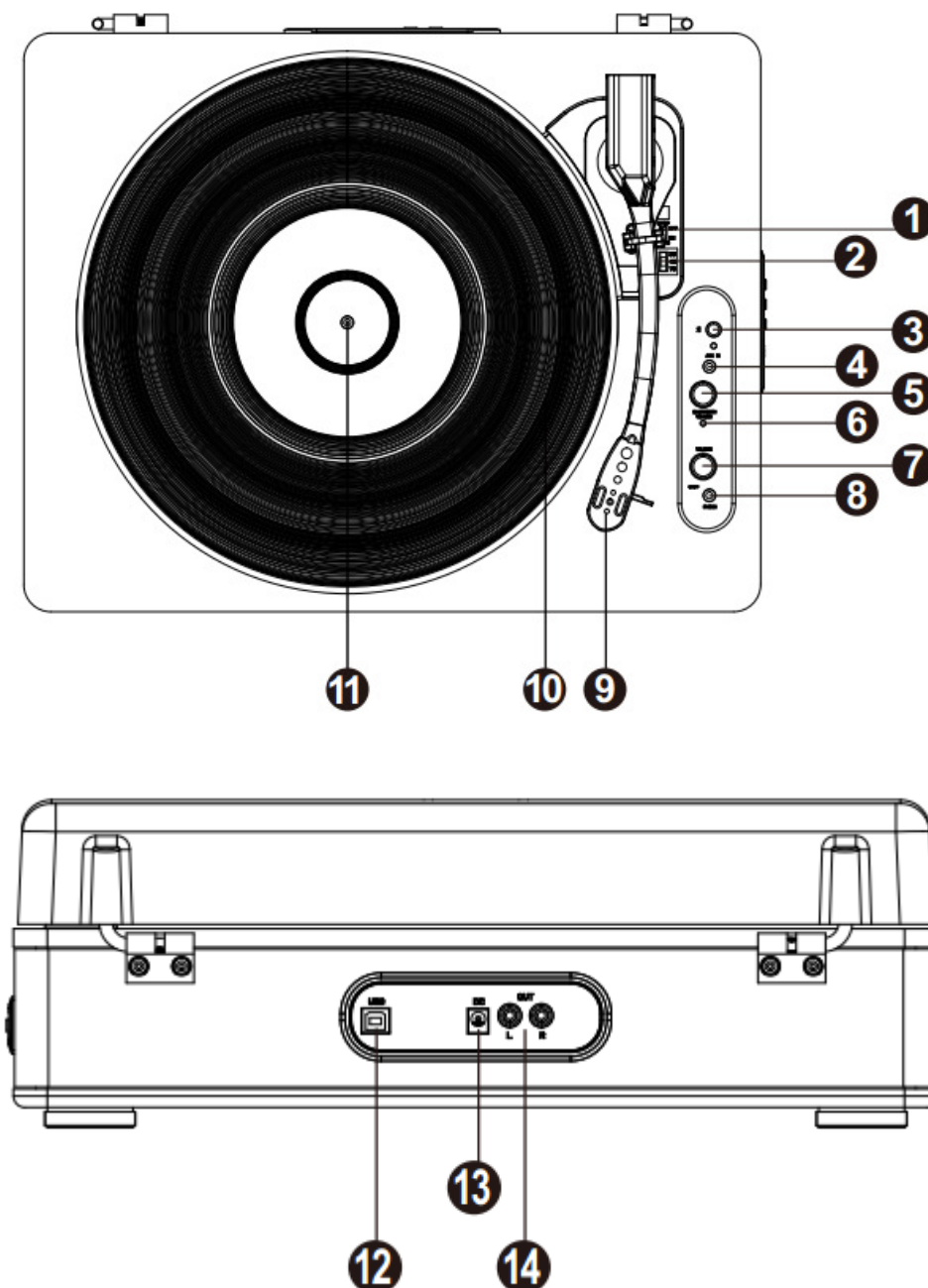
User Manual



BEFORE USE

1. Choose a safe location and avoid placing the unit in direct sunlight or near any heat source.
2. Avoid locations subject to vibrations, excessive dust, cold or moisture.
3. Do not open the cabinet as this may result in electrical shock. If a foreign object is inserted accidentally contact your dealer.
4. When removing the power plug from the wall outlet, pull directly on the plug, not the cord.
5. Do not attempt to clean the unit with chemical solvents as this might damage the finishing. A clean, dry cloth is recommended for cleaning.
6. Keep this manual for future reference

Turntable Parts & Features



1. AUTO STOP ON/OFF switch
2. 33/45/78 RPM switch – This switch controls the speed of the turntable platter.
3. Bluetooth Button---Press this button to start Bluetooth pairing. If after 5 minutes no Bluetooth speaker can be found to pair with, the Bluetooth transmitter will become inactive and the LED will turn off. If currently connected, press this to disconnect from a currently connected Bluetooth device.
4. AUX IN jack
5. Bluetooth Volume-Adjust this to control the Bluetooth output level
6. Power on/off and volume control knob --Adjust this to control the unit output level and power on off.
7. Headphones jack —to connect headphones or earphones to enjoy music privately
8. Stylus—there is a white stylus protector covering on the stylus, remove it before use.
9. Tone arm – The turntable comes with a ready to use pre-balanced tone arm and cartridge.
10. Platter – Place your record here.
11. 45 RPM adapter –used for 45RPM vinyl records
12. USB Audio output: Use the included USB cable to connect your turntable to your computer to record music from vinyl to your computer.
13. DC IN port – Used to connect power adapter
14. RCA output – Used to connect to external speakers (not included)

GETTING STARTED

Fix the dust cover onto the turntable.

Firmly and securely insert the DC plug of the adaptor to the DC IN Jack on the back of the unit.

Plug the adaptor's AC plugs into a power outlet.

VINYL RECORD PLAYBACK

1. Turn the power & volume control knob clockwise. The indicator light will illuminate red.
2. Place a record on the turntable platter and select the desired speed (33/45/78) according to the record.
NOTE: when playing a 45RPM record, use the included 45RPM adapter located in the holder besides the platter (one more 45RPM adaptor can be found in the accessory bag).
3. Remove the stylus protector. Open the tone arm clip to release the tone arm. Push the lift lever (it is besides the auto stop switch) backward to raise the tone arm and gently move the tone arm to the desired position over the record. You can turn the pitch control knob to adjust the speed of the platter little by little. The turntable will begin to spin when the tonearm is moved toward the record (when the AUTO STOP switch is ON). Push the lift lever forward to lower the tone arm slowly onto the desired position on the record to start playback.
(Note: when you push the lift lever forward, do not push it beyond the position of the tone arm clip)
4. If the Auto Stop Control Switch is turned ON, the record will stop automatically when finished. If Auto Stop Control Switch is turned OFF, the record will NOT stop automatically when finished.

Remark: AUTO STOP function applies to most 33RPM vinyl records. However, for very few vinyl records, it will stop when it does not come to the end (in this case, turn the AUTO STOP switch to OFF position and then it will continue playback), or it will not stop when it comes to the end when AUTO STOP is ON.

PC Recording

To record music to your computer, you can use ION EZ Vinyl/Tape Converter and a USB cable. EZ Vinyl/Tape Converter conveniently saves your recordings to your computer. After you finish converting your vinyl, you can then burn to CD or load onto portable media devices.

Follow the instructions on the included software download card for installing EZ Vinyl/Tape Converter.

1. With EZ Vinyl/Tape Converter installed on your computer, use the included USB cable to connect USB port to an available USB port on your computer.
2. On your computer, you can open EZ Vinyl/Tape Converter by going to **Start Menu All Programs** (Windows) or the **Applications** menu (Mac).
3. Follow the on-screen instructions to set up your recording. When prompted to play your music, move tonearm over the record to start playback.

AUX IN

Connect your iPod, MP3 player, mobile phones etc. to the AUX IN port with a 3.5mm-3.5mm audio cable (not included).

You can play music from an auxiliary device through the unit.

Turn the VOLUME CONTROL KNOB to adjust the volume. (The iPod, MP3 player, mobile phones' volume control may also impact on Volume Level so ensure this is also turned up).

Bluetooth Transmitter to Send Audio to a Bluetooth Speaker Wirelessly

1. Power on your Bluetooth speaker and ensure it is in pairing mode.
2. Power on the turntable
3. Press and release the Bluetooth button to start pairing to your Bluetooth device. Once is connected to the Bluetooth speaker, the Bluetooth LED will be solid blue. Your Bluetooth speaker should also indicate that it' s paired.
4. Play music on your turntable. If you are connected to a Bluetooth speaker with a play/pause button, and do not hear audio, try pressing the play/pause button.
5. Adjust the Volume on your Bluetooth speaker (if applicable) or the Bluetooth knob on turntable to control the output level.
6. To disconnect pairing power off the turntable or turn of Bluetooth pairing on your Bluetooth speaker.

MUSIC PLAYBACK on your own speaker system

Connect your own speaker system to the RCA port with a RCA-3.5mm audio cable (not included).

You can enjoy the music of the vinyl records at your own speaker system.

How to Replace the Turntable Stylus (Needle)

Removing the Stylus from the Cartridge

1. Place a screwdriver at the tip of the stylus and push downward as shown in direction "A".
2. Remove the stylus by pulling the stylus forward and pushing downward.

Installing the Stylus

1. Hold the tip of the stylus and insert the stylus by pressing as shown in direction "B".
2. Push the stylus upward as in direction "C" until the stylus locks into the tip position.



TIPS FOR BETTER TURNTABLE PERFORMANCE

1. When opening or closing the turntable cover, handle it gently, gripping it either at the centre or at each side.
2. Do not touch the needle tip with your fingers; avoid bumping the needle against the turntable platter or record edge.
3. Frequently clean the needle tip-use a soft brush in a "back-to-front" motion only.
4. If you must use a needle cleaning fluid, use very sparingly.
5. Gently wipe the dust cover and turntable housing with a soft cloth. Use only a small amount of mild detergent to clean the turntable and dust cover.
6. Never apply harsh chemicals or solvents to any part of the turntable system.