


# FCC AND ISED CERTIFICATION TEST REPORT

FOR

<b>Applicant</b>	:	ION Audio, LLC
<b>Address</b>	:	200 Scenic View Drive, Cumberland, RI 02864 U.S.A.
<b>Equipment under Test</b>	:	Wireless Speaker with BUILT-IN Microphone For Home and Office
<b>Model No.</b>	:	MEETING MATE
<b>Project Code</b>	:	iSP132
<b>Trade Mark</b>	:	
<b>FCC ID</b>	:	2AB3E-ISP132
<b>IC</b>	:	10541A-ISP132
<b>Manufacturer</b>	:	ION Audio, LLC
<b>Address</b>	:	200 Scenic View Drive, Cumberland, RI 02864 U.S.A.

**Issued By: Dongguan Dongdian Testing Service Co., Ltd.**

**Add.:** No. 17, Zongbu Road 2, Songshan Lake Sci&Tech, Industry Park,  
Dongguan City, Guangdong Province, China, 523808


**Tel.:** +86-0769-38826678, **E-mail:** ddt@dgddt.com, <http://www.dgddt.com>

# REPORT

## Table of Contents

	Test report declares.....	3
1.	Summary of Test Results.....	5
2.	General Test Information .....	6
2.1.	Description of EUT .....	6
2.2.	Accessories of EUT.....	6
2.3.	Assistant equipment used for test.....	7
2.4.	Block diagram of EUT configuration for test.....	7
2.5.	Test environment conditions .....	7
2.6.	Deviations of test standard.....	7
2.7.	Test laboratory.....	8
2.8.	Measurement uncertainty.....	8
3.	Equipment Used During Test.....	9
4.	Radiated Emission .....	11
4.1.	Block diagram of test setup.....	11
4.2.	Limit.....	12
4.3.	Test procedure .....	13
4.4.	Test result.....	15
5.	Power Line Conducted Emission.....	20
5.1.	Block diagram of test setup.....	20
5.2.	Power line conducted emission limits.....	20
5.3.	Test procedure .....	20
5.4.	Test result.....	21

## Test Report Declare

<b>Applicant</b>	:	ION Audio, LLC
<b>Address</b>	:	200 Scenic View Drive, Cumberland, RI 02864 U.S.A.
<b>Equipment under Test</b>	:	Wireless Speaker with BUILT-IN Microphone For Home and Office
<b>Model No.</b>	:	MEETING MATE
<b>Trade mark</b>	:	
<b>Manufacturer</b>	:	ION Audio, LLC
<b>Address</b>	:	200 Scenic View Drive, Cumberland, RI 02864 U.S.A.

### Test Standard Used:

FCC Rules and Regulations Part 15 Subpart C, RSS-247 Issue 2 February 2017.

### Test procedure used:

ANSI C63.10:2013, RSS-Gen Issue 5, Apr. 2018

### We Declare:

The equipment described above is tested by Dongguan Dongdian Testing Service Co., Ltd. and in the configuration tested the equipment complied with the standards specified above. The test results are contained in this test report and Dongguan Dongdian Testing Service Co., Ltd. is assumed of full responsibility for the accuracy and completeness of these tests.

**After test and evaluation, our opinion is that the equipment provided for test compliance with the requirement of the above FCC&ISED standards.**

<b>Report No:</b>	DDT-R21070611-2E04		
<b>Date of Receipt:</b>	Jul. 08, 2021	<b>Date of Test:</b>	Jul. 08, 2021 ~ Jul. 27, 2021

**Prepared By:**

*Sam Li*

**Sam Li/Engineer**

**Approved By:**



**Damon Hu/EMC Manager**

Note: This report applies to above tested sample only. This report shall not be reproduced in parts without written approval of Dongguan Dongdian Testing Service Co., Ltd.

## Revision History

Rev.	Revisions	Issue Date	Revised By
---	Initial issue	Jul. 29, 2021	

Note: This report needs to be used in conjunction with the original report: DDT-R20092327-1E5.

## 1. Summary of Test Results

The EUT have been tested according to the applicable standards as referenced below.		
Description of Test Item	Standard	Results
Radiation Emission	FCC Part 15: 15.247 ANSI C63.10:2013 RSS-247 Issue 2 RSS-Gen Issue 5	Pass
Power Line Conducted Emission	FCC Part 15: 15.207 ANSI C63.10: 2013 RSS-Gen Issue 5	Pass

Note: This report changed the power amplifier IC (CS86552E) of PCB Mainboard 2 based on the original report: DDT-R20092327-1E5, this change doesn't influence the RF performance, so only Radiated Emission and Power Line Conducted Emissions were tested and updated in this report.

## 2. General Test Information

### 2.1. Description of EUT

EUT* Name	: Wireless Speaker with BUILT-IN Microphone For Home and Office
Model Number	: MEETING MATE
EUT function description	: Please reference user manual of this device
Power Supply	: DC 5V from external AC Adapter : DC 7.4V Polymer Li-ion built-in battery
Radio Specification	: Bluetooth V5.0
Operation frequency	: 2402 MHz - 2480 MHz
Modulation	: GFSK
Data rate	: 1 Mbps
Antenna Type	: Antenna 1: Dedicated FPC antenna, maximum PK gain: 3.99 dBi : Antenna 2: Integral PCB antenna, maximum PK gain: -0.58 dBi
Serial Number	: N/A

Note: EUT is the abbreviation of equipment under test.

Channel information					
Channel	Frequency (MHz)	Channel	Frequency (MHz)	Channel	Frequency (MHz)
0	2402	14	2430	28	2458
1	2404	15	2432	29	2460
2	2406	16	2434	30	2462
3	2408	17	2436	31	2464
4	2410	18	2438	32	2466
5	2412	19	2440	33	2468
6	2414	20	2442	34	2470
7	2416	21	2444	35	2472
8	2418	22	2446	36	2474
9	2420	23	2448	37	2476
10	2422	24	2450	38	2478
11	2424	25	2452	39	2480
12	2426	26	2454		
13	2428	27	2456		

### 2.2. Accessories of EUT

Description of Accessories	Manufacturer	Model number	Description	Remark
USB cable	N/A	N/A	N/A	Length: 1.0m, unshielded
Magnetic ring	Dongguan Lingfeng Magnetic Technology Co., Ltd	V180147T	K8 T17.5*15*9.5	2 pcs
PCB Mainboard 1	N/A	N/A	N/A	Alternative
PCB Mainboard 2	N/A	N/A	N/A	

Note: The PCB mainboard 2 improves the grounding circuit of the bottom noise circuit on the basis of the PCB mainboard 1. This change is based on engineering judgment and only needs to test the radiation emission (below 1G).

**Power amplifier IC information:**

Description of Accessories	Manufacturer	Model number	Description	Remark
Original power amplifier IC	Fangtek Electronics (Shanghai) Co., Ltd	ft2705	N/A	N/A
New power amplifier IC	Chipstar Micro-electronics	CS86552E	N/A	N/A

**2.3. Assistant equipment used for test**

Assistant equipment	Manufacturer	Model number	EMC Compliance	SN
N/A	N/A	N/A	N/A	N/A

**2.4. Block diagram of EUT configuration for test**

Test software: FCCAssist\_V2.4.exe

The test software was used to control EUT work in Continuous Tx mode, and select test channel, wireless mode as below table:

Tested mode, channel, information			
Mode	Setting Tx Power	Channel	Frequency (MHz)
GFSK	/	CH0	2402
	/	CH19	2440
	/	CH39	2480

**2.5. Test environment conditions**

During the measurement the environmental conditions were within the listed ranges:

Temperature range:	21-25 °C
Humidity range:	40-75%
Pressure range:	86-106 kPa

**2.6. Deviations of test standard**

No deviation.

## 2.7. Test laboratory

Dongguan Dongdian Testing Service Co., Ltd.

Add.: No. 17, Zongbu Road 2, Songshan Lake Sci&Tech, Industry Park, Dongguan City, Guangdong Province, China, 523808.

Tel.: +86-0769-38826678, <http://www.dgddt.com>, Email: [ddt@dgddt.com](mailto:ddt@dgddt.com).

CNAS Accreditation No. L6451; A2LA Accreditation Number: 3870.01

FCC Designation Number: CN1182, Test Firm Registration Number: 540522

Innovation, Science and Economic Development Canada Site Registration Number: 10288A

Conformity Assessment Body identifier: CN0048

VCCI facility registration number: C-20087, T-20088, R-20123, G-20118

## 2.8. Measurement uncertainty

Test Item	Uncertainty
Bandwidth	1.1%
Peak Output Power (Conducted) (Spectrum analyzer)	0.86 dB (10 MHz ≤ f < 3.6 GHz); 1.38 dB (3.6 GHz ≤ f < 8 GHz)
Peak Output Power (Conducted) (Power Sensor)	0.74 dB
Power Spectral Density	0.74 dB (10 MHz ≤ f < 3.6 GHz); 1.38 dB (3.6 GHz ≤ f < 8 GHz)
Frequencies Stability	6.7 × 10 <sup>-8</sup> (Antenna couple method) 5.5 × 10 <sup>-8</sup> (Conducted method)
Conducted spurious emissions	0.86 dB (10 MHz ≤ f < 3.6 GHz); 1.40 dB (3.6 GHz ≤ f < 8 GHz) 1.66 dB (8 GHz ≤ f < 22 GHz)
Uncertainty for radio frequency (RBW < 20 kHz)	3 × 10 <sup>-8</sup>
Temperature	0.4 °C
Humidity	2 %
Uncertainty for Radiation Emission test (30 MHz - 1 GHz)	4.70 dB (Antenna Polarize: V) 4.84 dB (Antenna Polarize: H)
Uncertainty for Radiation Emission test (1 GHz - 40 GHz)	4.10 dB (1-6 GHz) 4.40 dB (6 GHz - 18 GHz) 3.54 dB (18 GHz - 26 GHz) 4.30 dB (26 GHz - 40 GHz)
Uncertainty for Power line conduction emission test	3.32 dB (150 kHz - 30 MHz)
Note: This uncertainty represents an expanded uncertainty expressed at approximately the 95% confidence level using a coverage factor of k=2.	



### 3. Equipment Used During Test

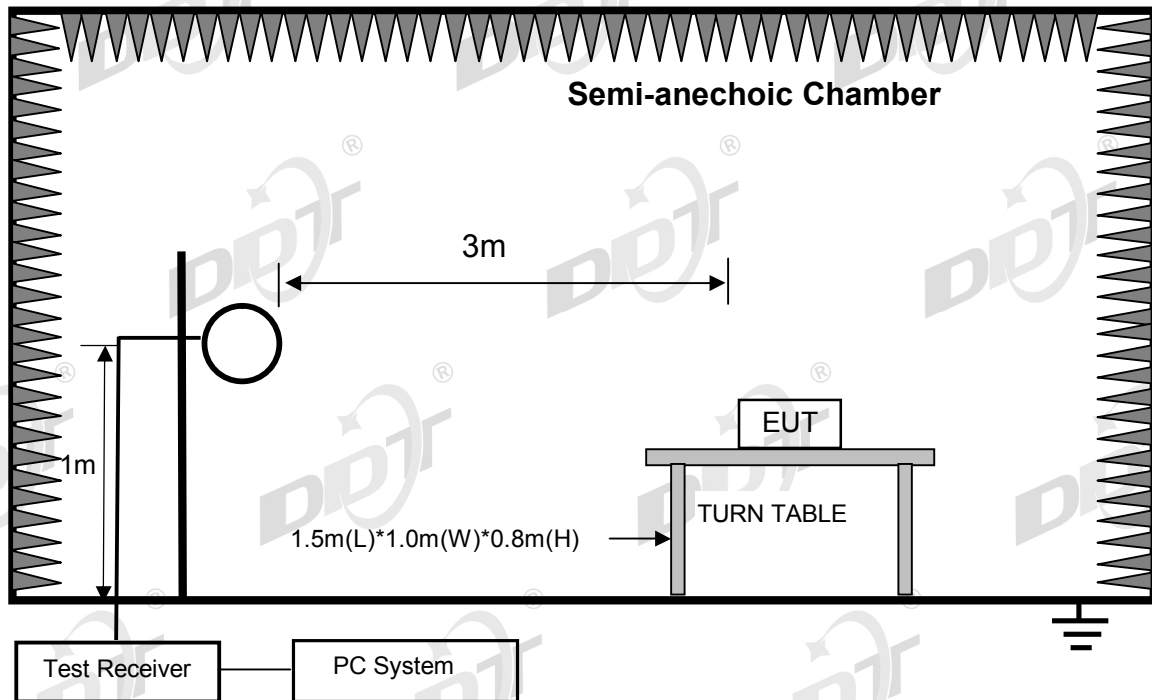
Equipment	Manufacturer	Model No.	Serial No.	Last Cal.	Cal. Interval
<input type="checkbox"/> RF Connected Test (Tonscend RF Measurement System 1#)					
Spectrum analyzer	R&S	FSU26	200071	Sep. 25, 2020	1 Year
Wideband Radio Communication tester	R&S	CMW500	117491	Jun. 01, 2021	1 Year
Vector Signal Generator	Agilent	E8267D	US49060192	Sep. 24, 2020	1 Year
Vector Signal Generator	Agilent®	N5182A	MY48180737	Jun. 01, 2021	1 Year®
RF Control Unit	Tonsend	JS0806-2	DDT-ZC0290	Jun. 01, 2021	1 Year
Temp&Humi Programmable	ZHIXIANG	ZXGDJS-150L	ZX170110-A	Jun. 01, 2021	1 Year
Test Software	JS Tonscend	JS1120-3	Ver.2.7	N/A	N/A
<input type="checkbox"/> RF Connected Test (Tonscend RF Measurement System 2#)					
Spectrum analyzer	R&S	FSU26	101472	Jun. 01, 2021	1 Year
Wideband Radio Communication tester	R&S	CMW500	120259	Jan. 19, 2021	1 Year
Vector Signal Generator	Agilent	N5182A	MY19060405	Jun. 01, 2021	1 Year
Vector Signal Generator	Agilent	N5182A	MY48180912	Jun. 01, 2021	1 Year
RF Control Unit	Tonsend	JS0806-2	DDT-ZC01449	Jun. 01, 2021	1 Year
Temp&Humi Programmable	ZHIXIANG	ZXGDJS-150L	ZX170110-A	Jun. 01, 2021	1 Year
Test Software	JS Tonscend	JS1120-3	Ver.2.7	N/A	N/A
<input type="checkbox"/> Radiation 1#chamber					
EMI Test Receiver	R&S	ESU8	100316	Sep. 24, 2020	1 Year
Spectrum analyzer	Agilent	E4447A	MY50180031	Jun. 01, 2021	1 Year
Trilog Broadband Antenna	Schwarzbeck	VULB9163	9163-462	Nov. 13, 2020	1 Year
Active Loop antenna	Schwarzbeck	FMZB-1519	1519-038	Nov. 18, 2020	1 Year
Double Ridged Horn Antenna	R&S	HF907	100276	Nov. 13, 2020	1 Year
Broad Band Horn Antenna	Schwarzbeck	BBHA 9170	790	May 07, 2021	1 Year
Pre-amplifier	A.H.	PAM-0118	360	Sep. 28, 2020	1 Year
RF Cable	HUBSER®	CP-X2+ CP-X1	W11.03+ W12.02	Sep. 24, 2020	1 Year
RF Cable	N/A	5m+6m+1m	06270619	Sep. 30, 2020	1 Year
MI Cable	HUBSER	C10-01-01-1M	1091629	Sep. 30, 2020	1 Year
Test software	Audix	E3	V 6.11111b	N/A	N/A
<input checked="" type="checkbox"/> Radiation 2#chamber					
EMI Test Receiver	R&S	ESCI	101364	Sep. 28, 2020	1 Year
Spectrum analyzer	Agilent	E4447A	MY50180031	Jun. 01, 2021	1 Year
Trilog Broadband	Schwarzbeck	VULB 9163	9163-994	Nov. 13, 2020	1 Year

Antenna					
Active Loop antenna	Schwarzbeck	FMZB-1519	1519-038	Nov. 18, 2020	1 Year
Double Ridged Horn Antenna	Schwarzbeck	BBHA9120	02108	Jul. 11, 2020	1 Year
Broad Band Horn Antenna	Schwarzbeck	BBHA 9170	790	May 07, 2021	1 Year
Pre-amplifier	TERA-MW	TRLA-0040 G35	1013 03	Sep. 28, 2020	1 Year
RF Cable	N/A	14+1.5m	06270619	Sep. 28, 2020	1 Year
Test software	Audix	E3	V 6.11111b	N/A	N/A
<input checked="" type="checkbox"/> <b>Power Line Conducted Emissions Test 1#</b>					
EMI Test Receiver	R&S	ESU8	100316	Sep. 24, 2020	1 Year
LISN 1	R&S	ENV216	101109	Sep. 28, 2020	1 Year
LISN 2	R&S	ESH2-Z5	100309	Sep. 28, 2020	1 Year
Pulse Limiter	R&S	ESH3-Z2	101242	Sep. 24, 2020	1 Year
CE Cable 1	HUBSER	N/A	W10.01	Sep. 24, 2020	1 Year
Test software	Audix	E3	V 6.11111b	N/A	N/A
<input type="checkbox"/> <b>Power Line Conducted Emissions Test 2#</b>					
Test Receiver	R&S	ESPI	101761	Sep. 24, 2020	1 Year
LISN 1	R&S	ENV216	101170	Sep. 28, 2020	1 Year
LISN 2	R&S	ESH2-Z5	100309	Sep. 28, 2020	1 Year
Pulse Limiter	R&S	KH43101	43101180156 8-12#	Jun. 01, 2021	1 Year
CE Cable 2	HUBSER	N/A	W11.02	Sep. 24, 2020	1 Year
Test software	Audix	E3	V 6.11111b	N/A	N/A

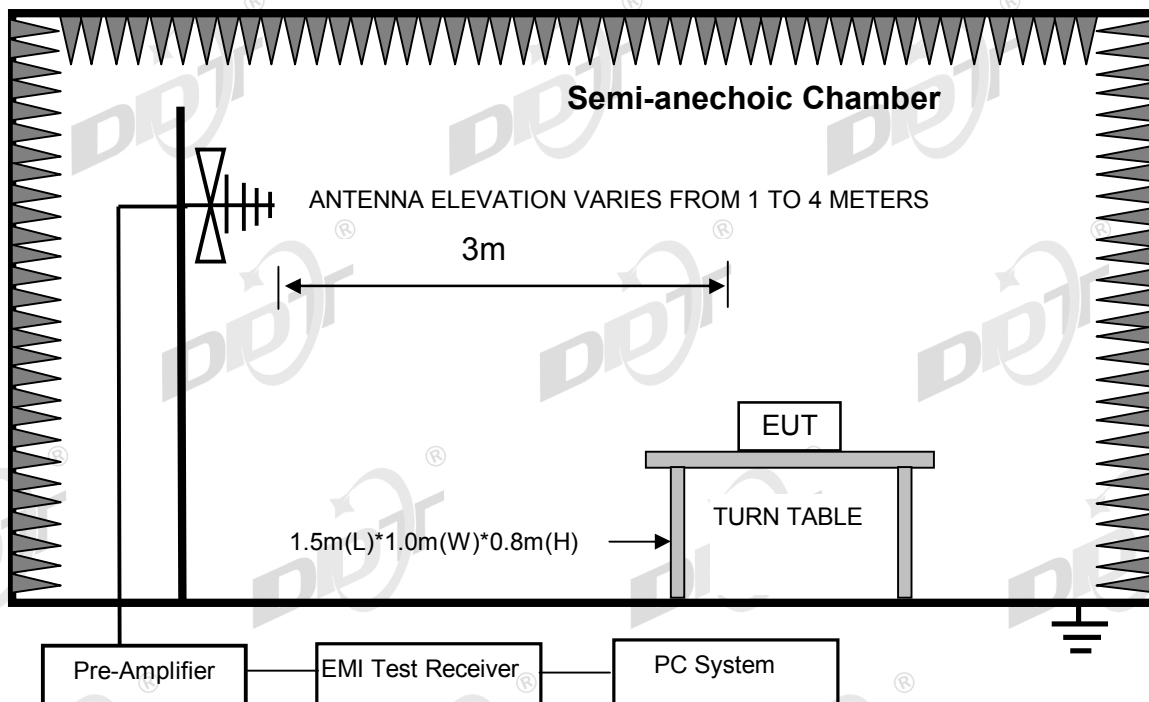
## 4. Radiated Emission

### 4.1. Block diagram of test setup

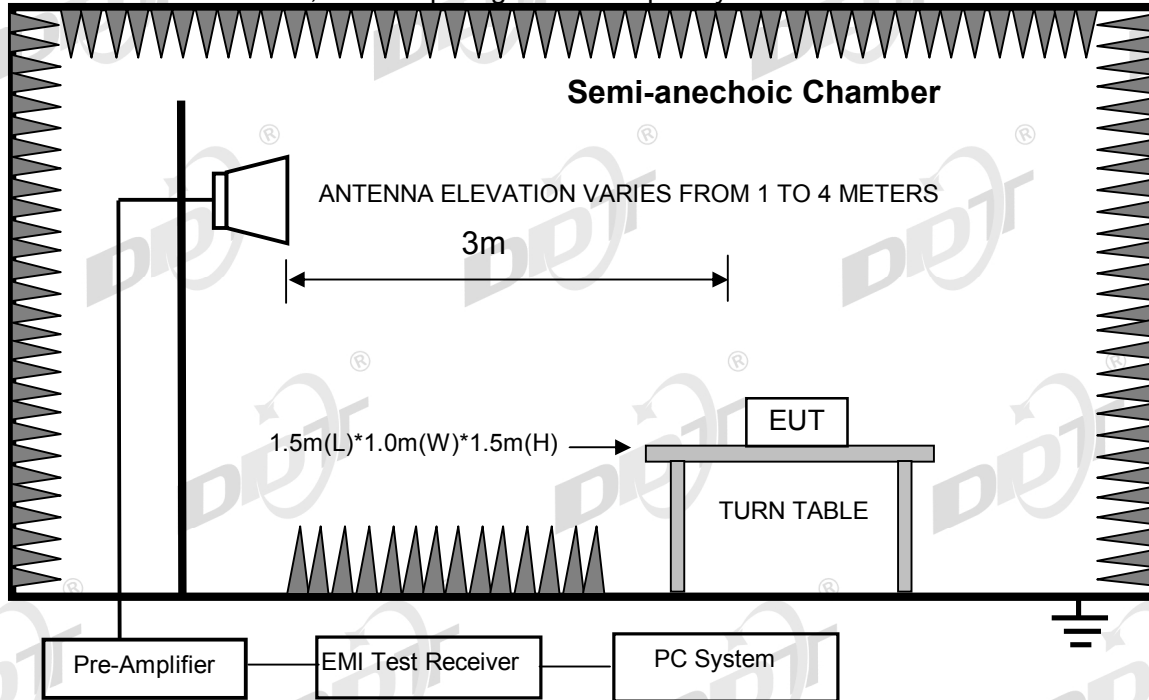
In 3 m Anechoic Chamber, test setup diagram for 9 kHz - 30 MHz:



In 3 m Anechoic Chamber, test setup diagram for 30 MHz - 1 GHz:



In 3 m Anechoic Chamber, test setup diagram for frequency above 1 GHz:



Note: For harmonic emissions test an appropriate high pass filter was inserted in the input port of AMP.

#### 4.2. Limit

##### 8.2.1 FCC 15.205 Restricted frequency band

MHz	MHz	MHz	GHz
0.090-0.110	16.42-16.423	399.9-410	4.5-5.15
<sup>1</sup> 0.495-0.505	16.69475-16.69525	608-614	5.35-5.46
2.1735-2.1905	16.80425-16.80475	960-1240	7.25-7.75
4.125-4.128	25.5-25.67	1300-1427	8.025-8.5
4.1772&4.1775	37.5-38.25	1435-1626.5	9.0-9.2
4.2072&4.2075	73-74.6	1645.5-1646.5	9.3-9.5
6.215-6.218	74.8-75.2	1660-1710	10.6-12.7
6.26775-6.26825	108-121.94	1718.8-1722.2	13.25-13.4
6.31175-6.31225	123-138	2200-2300	14.47-14.5
8.291-8.294	149.9-150.05	2310-2390	15.35-16.2
8.362-8.366	156.52475-156.52525	2483.5-2500	17.7-21.4
8.37625-8.38675	156.7-156.9	2690-2900	22.01-23.12
8.41425-8.41475	162.0125-167.17	3260-3267	23.6-24.0
12.29-12.293	167.72-173.2	3332-3339	31.2-31.8
12.51975-12.52025	240-285	3345.8-3358	36.43-36.5
12.57675-12.57725	322-335.4	3600-4400	( <sup>2</sup> )
13.36-13.41			

<sup>1</sup>Until February 1, 1999, this restricted band shall be 0.490-0.510 MHz.

<sup>2</sup>Above 38.6  
8.2.2 FCC 15.209 Limit.

FREQUENCY MHz	DISTANCE Meters	FIELD STRENGTHS LIMIT	
		$\mu\text{V}/\text{m}$	$\text{dB}(\mu\text{V})/\text{m}$
0.009 ~ 0.490	300	2400/F(kHz)	67.6-20log(F)
0.490 ~ 1.705	30	24000/F(kHz)	87.6-20log(F)
1.705 ~ 30.0	30	30	29.54
30 ~ 88	3	100	40.0
88 ~ 216	3	150	43.5
216 ~ 960	3	200	46.0
960 ~ 1000	3	500	54.0
Above 1000	3	74.0 dB( $\mu\text{V}$ )/m (Peak) 54.0 dB( $\mu\text{V}$ )/m (Average)	

Note: (1) The emission limits shown in the above table are based on measurements employing a CISPR QP detector except for the frequency bands 9-90 kHz, 110-490 kHz and above 1000 MHz. Radiated emissions limits in these three bands are based on measurements employing an average detector.

(2) At frequencies below 30 MHz, measurement may be performed at a distance closer than that specified, and the limit at closer measurement distance can be extrapolated by below formula:

$$\text{Limit}_{3\text{m}}(\text{dB}\mu\text{V}/\text{m}) = \text{Limit}_{30\text{m}}(\text{dB}\mu\text{V}/\text{m}) + 40\text{Log}(30\text{m}/3\text{m})$$

### 8.2.3 Limit for this EUT

All the emissions appearing within 15.205 restricted frequency bands shall not exceed the limits shown in 15.209, all the other emissions shall be at least 20 dB below the fundamental emissions or comply with 15.209 limits.

## 4.3. Test procedure

- (1) EUT was placed on a non-metallic table, 80 cm above the ground plane inside a semi-anechoic chamber for below 1 G and 150 cm above the ground plane inside a semi-anechoic chamber for above 1 G.
- (2) Test antenna was located 3 m from the EUT on an adjustable mast, and the antenna used as below table.

Test frequency range	Test antenna used	Test antenna distance
9 kHz - 30 MHz	Active Loop antenna	3 m
30 MHz - 1 GHz	Trilog Broadband Antenna	3 m
1 GHz - 18 GHz	Double Ridged Horn Antenna (1 GHz - 18 GHz)	3 m
18 GHz - 40 GHz	Horn Antenna (18 GHz - 40 GHz)	1 m

According ANSI C63.10:2013 clause 6.4.4.2 and 6.5.3, for measurements below 30 MHz, the loop antenna was positioned with its plane vertical from the EUT and rotated about its vertical axis for maximum response at each azimuth position around the EUT. And the loop antenna also

is positioned with its plane horizontal at the specified distance from the EUT. The center of the loop is 1 m above the ground. For measurement above 30 MHz, the Trilog Broadband Antenna or Horn Antenna was located 3 m from EUT, Measurements were made with the antenna positioned in both the horizontal and vertical planes of Polarization, and the measurement antenna was varied from 1 m to 4 m. in height above the reference ground plane to obtain the maximum signal strength.

(3) Below pre-scan procedure was first performed in order to find prominent frequency spectrum radiated emissions from 9 kHz to 25 GHz:

(a) Scanning the peak frequency spectrum with the antenna specified in step (3), and the EUT was rotated 360 degree, the antenna height was varied from 1 m to 4 m (Except loop antenna, it's fixed 1 m above ground.)

(b) Change work frequency or channel of device if practicable.

(c) Change modulation type of device if practicable.

(d) Change power supply range from 85% to 115% of the rated supply voltage

(e) Rotated EUT though three orthogonal axes to determine the attitude of EUT arrangement produces highest emissions.

Spectrum frequency from 9 kHz to 25 GHz (tenth harmonic of fundamental frequency) was investigated, and no any obvious emission were detected from 9 kHz to 30 MHz and 18 GHz to 25 GHz, so below final test was performed with frequency range from 30 MHz to 18 GHz.

(4) For final emissions measurements at each frequency of interest, the EUT was rotated and the antenna height was varied between 1 m and 4 m in order to maximize the emission. Measurements in both horizontal and vertical polarities were made and the data was recorded. In order to find the maximum emission, the relative positions of equipments and all of the interface cables were changed according to ANSI C63.10:2013 on Radiated Emission test.

(5) The emissions from 9 kHz to 1 GHz were measured based on CISPR QP detector except for the frequency bands 9-90 kHz, 110-490 kHz, for emissions from 9 kHz - 90 kHz, 110 kHz - 490 kHz and above 1 GHz were measured based on average detector, for emissions above 1 GHz, peak emissions also be measured and need comply with Peak limit.

(6) The emissions from 9 kHz to 1 GHz, QP or average values were measured with EMI receiver with below RBW

Frequency band	RBW
9 kHz - 150 kHz	200 Hz
150 kHz - 30 MHz	9 kHz
30 MHz - 1 GHz	120 kHz

(7) For emissions above 1 GHz, both Peak and Average level were measured with Spectrum Analyzer, and the RBW is set at 1 MHz, VBW is set at 3 MHz for Peak measure; About Average measure refer to ANSI C63.10:2013 clause 4.1.4.2.2 procedure.

(8) X axis, Y axis, Z axis are tested, and worse setup X axis is reported.

#### 4.4. Test result

##### **Pass. (See below detailed test result)**

All the emissions except fundamental emission from 9 kHz to 25 GHz were comply with 15.209 limit.

Note1: According exploratory test, the emission levels are 20 dB below the limit detected from 9 kHz to 30 MHz and 18 GHz to 25 GHz.

Note2: For emissions below 1 GHz, according exploratory explorer test, when change Tx mode and channel, have no distinct influence on emissions level, so for emissions below 1 GHz, the final test was only performed with EUT working in GFSK, Tx 2402 MHz mode.

Note3: For emissions above 1 GHz. If peak results comply with AV limit, AV Result is deemed to comply with AV limit.

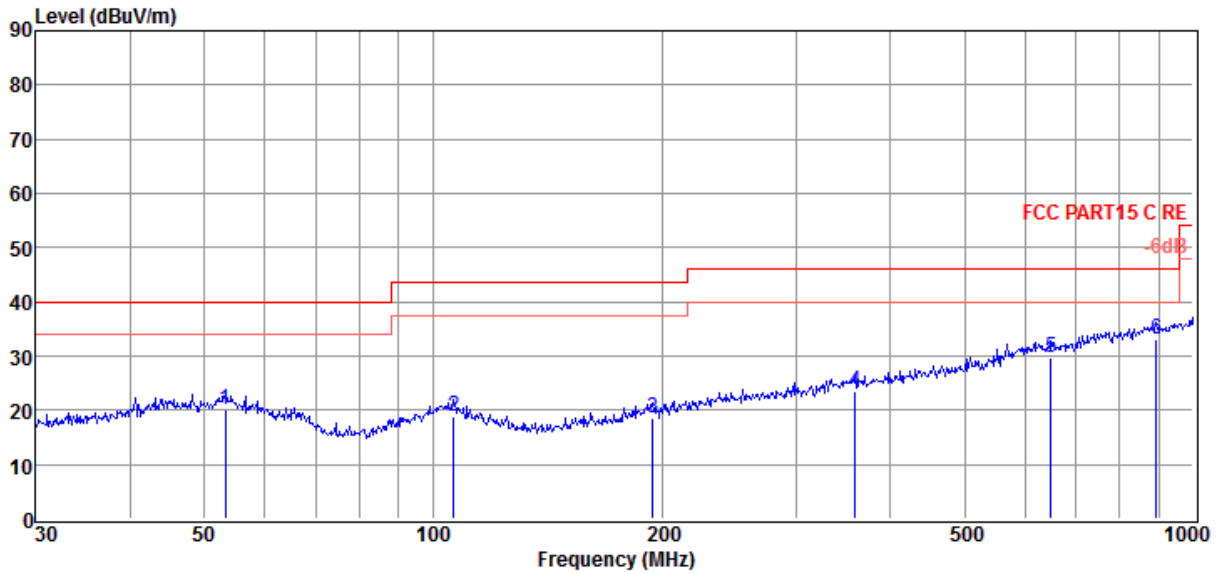
Radiated Emission test (below 1 GHz)

**TR-4-E-009 Radiated Emission Test Result**

<b>Test Site</b>	: DDT 3m Chamber 2#	<b>Tested By</b>	: Zora
<b>Test Date</b>	: 2021-07-21	<b>Model Number</b>	: MEETING MATE
<b>EUT</b>	: Wireless Speaker with BUILT-IN Microphone For Home and Office	<b>Test Mode</b>	: Tx mode
<b>Power Supply</b>	: AC 120V/60Hz	<b>Antenna/Distance</b>	: 2020 VULB 9163 2#/3m/HORIZONTAL
<b>Condition</b>	: Temp:24.5°C,Humi:55%,Press:100.1kPa		
<b>Memo</b>	:		

D:\2021 RE2# Report Data\Q21070611-2E ISP132\FCC BELOW1G.EM6

Data:  
7



Item (Mark)	Freq. (MHz)	Read Level (dBμV)	Antenna Factor (dB/m)	Cable Loss (dB)	Result Level (dBμV/m)	Limit Line (dBμV/m)	Over Limit (dB)	Detector	Polarization
1	53.32	2.69	13.64	3.89	20.22	40.00	-19.78	QP	HORIZONTAL
2	106.39	3.13	11.36	4.45	18.94	43.50	-24.56	QP	HORIZONTAL
3	194.45	2.99	10.44	5.01	18.44	43.50	-25.06	QP	HORIZONTAL
4	359.19	2.63	15.08	5.75	23.46	46.00	-22.54	QP	HORIZONTAL
5	649.66	3.44	19.30	6.90	29.64	46.00	-16.36	QP	HORIZONTAL
6	893.86	3.59	21.83	7.68	33.10	46.00	-12.90	QP	HORIZONTAL

- Note: 1. Result Level = Read Level + Antenna Factor + Cable loss.  
 2. If Peak Result complies with QP limit, QP Result is deemed to comply with QP limit.  
 3. Test setup: RBW: 120 kHz, VBW: 300 kHz, Sweep time: auto.



# TR-4-E-009 Radiated Emission Test Result

**Test Site** : DDT 3m Chamber 2#

D:\2021 RE2# Report Data\Q21070611-2E ISP132\FCC BELOW1G.EM6

**Test Date** : 2021-07-21

**Tested By** : Zora

**EUT** : Wireless Speaker with BUILT-IN  
Microphone For Home and Office

**Model Number** : MEETING MATE

**Power Supply** : AC 120V/60Hz

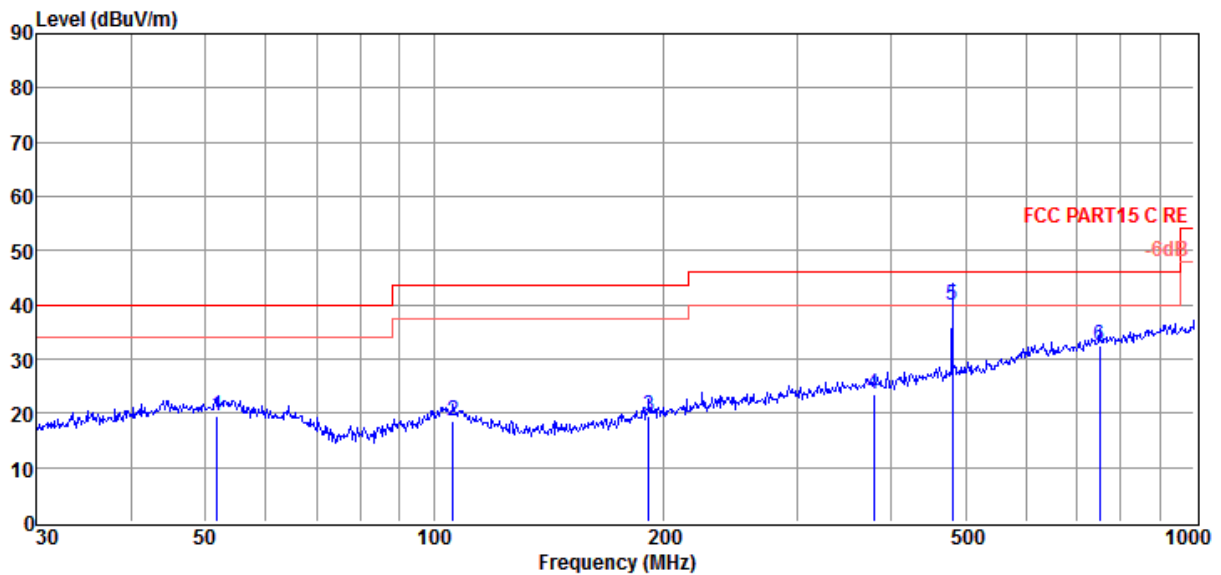
**Test Mode** : Tx mode

**Condition** : Temp:24.5°C,Humi:55%,Press:100.1kPa

**Antenna/Distance** : 2020 VULB 9163 2#/3m/VERTICAL

**Memo** :

Data:  
8



Item (Mark)	Freq. (MHz)	Read Level (dBuV)	Antenna Factor (dB/m)	Cable Loss (dB)	Result Level (dBuV/m)	Limit Line (dBuV/m)	Over Limit (dB)	Detector	Polarization
1	51.84	2.53	13.21	3.87	19.61	40.00	-20.39	QP	VERTICAL
2	106.01	2.71	11.44	4.45	18.60	43.50	-24.90	QP	VERTICAL
3	191.75	4.24	10.35	5.00	19.59	43.50	-23.91	QP	VERTICAL
4	378.58	2.58	15.24	5.83	23.65	46.00	-22.35	QP	VERTICAL
5	480.53	17.30	16.52	6.22	40.04	46.00	-5.96	QP	VERTICAL
6	750.11	4.49	20.80	7.22	32.51	46.00	-13.49	QP	VERTICAL

Note: 1. Result Level = Read Level + Antenna Factor + Cable loss.

2. If Peak Result complies with QP limit, QP Result is deemed to comply with QP limit.

3. Test setup: RBW: 120 kHz, VBW: 300 kHz, Sweep time: auto.

**Radiated Emission test (above 1 GHz)**

Freq. (MHz)	Read level (dB $\mu$ V)	Antenna Factor (dB/m)	PRM Factor (dB)	Cable Loss (dB)	Result Level (dB $\mu$ V/m)	Limit (dB $\mu$ V/m)	Margin (dB)	Detector type	Polarization
<b>GFSK Tx mode 2402 MHz</b>									
5556.00	48.49	34.73	43.37	7.15	47.00	74.00	-27.00	Peak	HORIZONTAL
7749.00	47.27	36.30	42.47	8.73	49.83	74.00	-24.17	Peak	HORIZONTAL
10180.00	44.95	38.53	42.33	10.31	51.46	74.00	-22.54	Peak	HORIZONTAL
13155.00	45.56	38.69	42.92	11.29	52.62	74.00	-21.38	Peak	HORIZONTAL
15280.00	42.16	40.73	41.87	12.69	53.71	74.00	-20.29	Peak	HORIZONTAL
17184.00	43.60	42.86	42.26	13.73	57.93	74.00	-16.07	Peak	HORIZONTAL
17184.00	34.77	42.86	42.26	13.73	49.10	54.00	-4.90	Average	HORIZONTAL
5165.00	50.00	34.57	43.25	7.07	48.39	74.00	-25.61	Peak	VERTICAL
7766.00	46.93	36.31	42.46	8.73	49.51	74.00	-24.49	Peak	VERTICAL
10299.00	46.56	38.30	42.42	10.33	52.77	74.00	-21.23	Peak	VERTICAL
12866.00	44.80	38.44	42.79	11.41	51.86	74.00	-22.14	Peak	VERTICAL
16419.00	43.02	42.17	42.26	13.09	56.02	74.00	-17.98	Peak	VERTICAL
16419.00	36.65	42.17	42.26	13.09	49.65	54.00	-4.35	Average	VERTICAL
17915.00	42.62	44.22	42.48	14.43	58.79	74.00	-15.21	Peak	VERTICAL
17915.00	33.74	44.22	42.48	14.43	49.91	54.00	-4.09	Average	VERTICAL
<b>GFSK Tx mode 2440 MHz</b>									
4944.00	48.76	34.39	43.24	6.97	46.88	74.00	-27.12	Peak	HORIZONTAL
7426.00	46.77	36.16	42.69	8.71	48.95	74.00	-25.05	Peak	HORIZONTAL
9500.00	45.21	38.10	42.01	9.66	50.96	74.00	-23.04	Peak	HORIZONTAL
11931.00	46.62	37.97	41.50	11.08	54.17	74.00	-19.83	Peak	HORIZONTAL
14005.00	43.74	39.70	42.50	12.29	53.23	74.00	-20.77	Peak	HORIZONTAL
17660.00	43.11	43.66	42.40	13.82	58.19	74.00	-15.81	Peak	HORIZONTAL
17660.00	33.70	43.66	42.40	13.82	48.78	54.00	-5.22	Average	HORIZONTAL
4944.00	48.13	34.39	43.24	6.97	46.25	74.00	-27.75	Peak	VERTICAL
7664.00	46.65	36.27	42.52	8.77	49.17	74.00	-24.83	Peak	VERTICAL
9891.00	45.11	38.73	42.16	10.15	51.83	74.00	-22.17	Peak	VERTICAL
12679.00	46.08	38.22	42.50	11.76	53.56	74.00	-20.44	Peak	VERTICAL
14685.00	43.01	40.25	41.95	12.43	53.74	74.00	-20.26	Peak	VERTICAL
17847.00	41.57	44.07	42.46	14.27	57.45	74.00	-16.55	Peak	VERTICAL
17847.00	33.42	44.07	42.46	14.27	49.30	54.00	-4.70	Average	VERTICAL
<b>GFSK Tx mode 2480 MHz</b>									
5335.00	48.03	34.64	43.31	7.09	46.45	74.00	-27.55	Peak	HORIZONTAL
7715.00	46.41	36.29	42.49	8.75	48.96	74.00	-25.04	Peak	HORIZONTAL
9704.00	45.46	38.43	42.09	9.92	51.72	74.00	-22.28	Peak	HORIZONTAL
12611.00	45.01	38.14	42.39	11.89	52.65	74.00	-21.35	Peak	HORIZONTAL
14515.00	42.93	40.11	42.08	12.07	53.03	74.00	-20.97	Peak	HORIZONTAL
17269.00	42.38	42.98	42.28	13.65	56.73	74.00	-17.27	Peak	HORIZONTAL
17269.00	34.97	42.98	42.28	13.65	49.32	54.00	-4.68	Average	HORIZONTAL
5539.00	47.86	34.72	43.37	7.14	46.35	74.00	-27.65	Peak	VERTICAL
8089.00	46.87	36.47	42.25	8.66	49.75	74.00	-24.25	Peak	VERTICAL
9959.00	44.93	38.84	42.18	10.23	51.82	74.00	-22.18	Peak	VERTICAL
12645.00	45.89	38.18	42.45	11.82	53.44	74.00	-20.56	Peak	VERTICAL

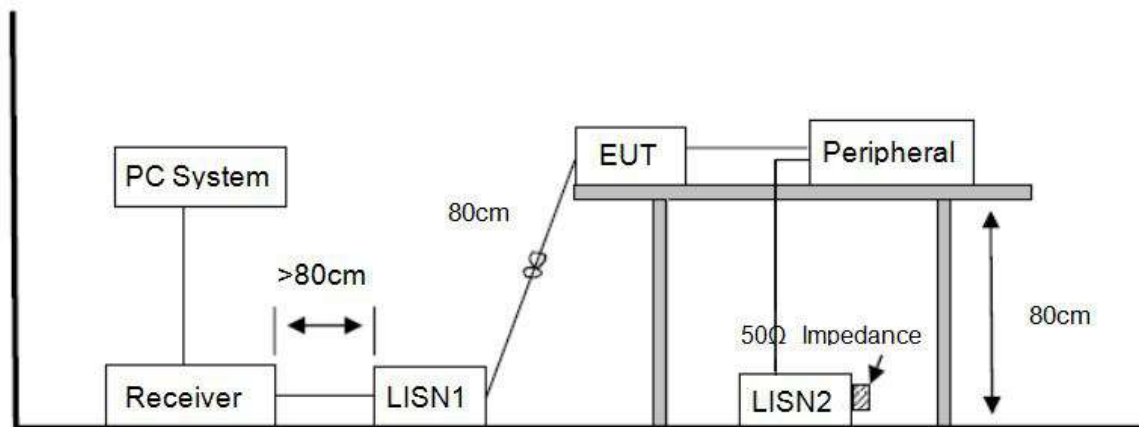
15246.00	41.56	40.70	41.85	12.74	53.15	74.00	-20.85	Peak	VERTICAL
17779.00	42.41	43.92	42.44	14.10	57.99	74.00	-16.01	Peak	VERTICAL
17779.00	33.48	43.92	42.44	14.10	49.06	54.00	-4.94	Average	VERTICAL
Result: Pass									

Note: 1. Result Level = Read Level + Antenna Factor + Cable loss - PRM Factor.

2. For emissions above 1 GHz. If peak results comply with AV limit, AV Result is deemed to comply with AV limit.

## 5. Power Line Conducted Emission

### 5.1. Block diagram of test setup



### 5.2. Power line conducted emission limits

Frequency	Quasi-Peak Level dB( $\mu$ V)	Average Level dB( $\mu$ V)
150 kHz ~ 500 kHz	66 ~ 56*	56 ~ 46*
500 kHz ~ 5 MHz	56	46
5 MHz ~ 30 MHz	60	50

Note 1: \* Decreasing linearly with logarithm of frequency.

Note 2: The lower limit shall apply at the transition frequencies.

### 5.3. Test procedure

The EUT and Support equipment, if needed, were put placed on a non-metallic table, 80 cm above the ground plane.

Configuration EUT to simulate typical usage as described in clause 2.4 and test equipment as described in clause 10.2 of this report.

All I/O cables were positioned to simulate typical actual usage as per ANSI C63.10.

All support equipment power received from a second LISN.

Emissions were measured on each current carrying line of the EUT using an EMI Test Receiver connected to the LISN powering the EUT.

The Receiver scanned from 150 kHz to 30 MHz for emissions in each of the test modes.

During the above scans, the emissions were maximized by cable manipulation.

The test mode(s) described in clause 2.4 were scanned during the preliminary test.

After the preliminary scan, we found the test mode producing the highest emission level.

The EUT configuration and worse cable configuration of the above highest emission levels were recorded for reference of the final test.

EUT and support equipment were set up on the test bench as per the configuration with highest emission level in the preliminary test.

A scan was taken on both power lines, Neutral and Line, recording at least the six highest emissions.

Emission frequency and amplitude were recorded into a computer in which correction factors were used to calculate the emission level and compare reading to the applicable limit.

The test data of the worst-case condition(s) was recorded.

The bandwidth of test receiver is set at 9 kHz.

#### 5.4. Test result

**Pass (See below detailed test result)**

Note1: All emissions not reported below are too low against the prescribed limits.

Note2: "----" means Peak detection; "----" means Average detection

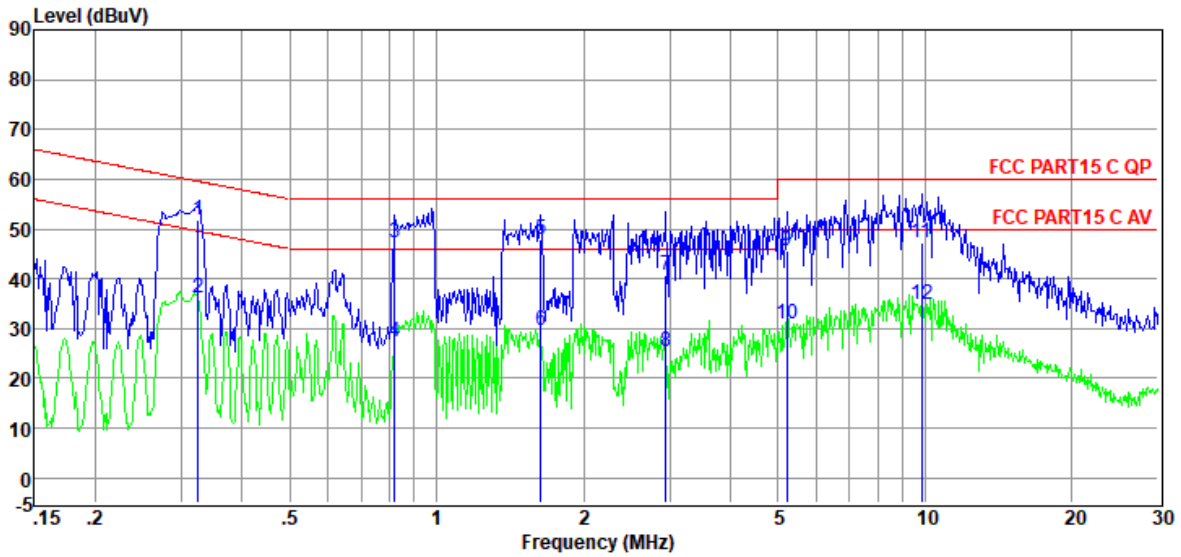
Note3: Pre-test AC conducted emission at both voltage AC 120V/60Hz and AC 240V/60Hz, recorded worse case.

# TR-4-E-010 Conducted Emission Test Result

**Test Site** : DDT 1# Shield Room D:\2021 CE report date\Q21070611-1E ISP132\RF CE.EM6  
**Test Date** : 2021-07-22 **Tested By** : Zora Zhang  
**EUT** : Wireless Speaker with BUILT-IN **Model Number** : MEETING MATE  
Microphone For Home and Office **Test Mode** : Tx mode  
**Power Supply** : AC 120V/60Hz **Condition** : TEMP:24.8°C, RH:53.8%, BP:101.4kPa  
**LISN** : 2020 ENV 216 1#/LINE

**Memo** :

Data: 14



Item (Mark)	Freq. (MHz)	Read Level (dBμV)	LISN Factor (dB)	Cable Loss (dB)	Pulse Limiter Factor (dB)	Result Level (dBμV)	Limit Line (dBμV)	Over Limit (dB)	Detector	Phase
1	0.33	32.59	9.41	0.02	9.86	51.88	59.57	-7.69	QP	LINE
2	0.33	16.99	9.41	0.02	9.86	36.28	49.57	-13.29	Average	LINE
3	0.82	27.90	9.42	0.03	9.86	47.21	56.00	-8.79	QP	LINE
4	0.82	7.98	9.42	0.03	9.86	27.29	46.00	-18.71	Average	LINE
5	1.64	28.46	9.42	0.04	9.86	47.78	56.00	-8.22	QP	LINE
6	1.64	10.13	9.42	0.04	9.86	29.45	46.00	-16.55	Average	LINE
7	2.95	21.26	9.44	0.06	9.87	40.63	56.00	-15.37	QP	LINE
8	2.95	5.87	9.44	0.06	9.87	25.24	46.00	-20.76	Average	LINE
9	5.22	26.07	9.50	0.08	9.87	45.52	60.00	-14.48	QP	LINE
10	5.22	11.56	9.50	0.08	9.87	31.01	50.00	-18.99	Average	LINE
11	9.86	27.68	9.59	0.11	9.89	47.27	60.00	-12.73	QP	LINE
12	9.86	15.20	9.59	0.11	9.89	34.79	50.00	-15.21	Average	LINE

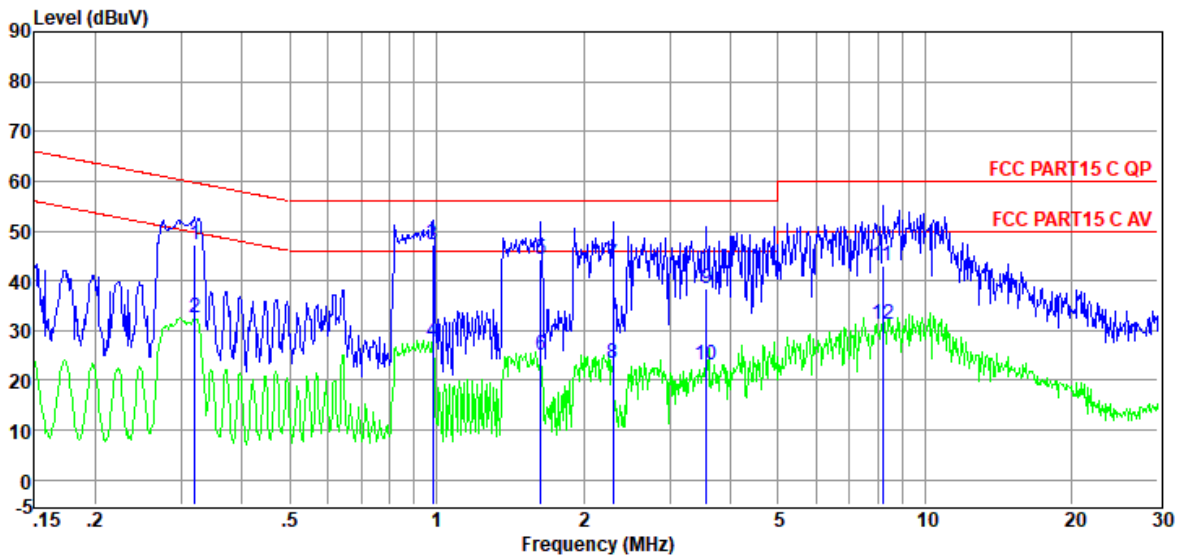
Note:

1. Result Level = Read Level + LISN Factor + Pulse Limiter Factor + Cable loss.
2. If QP Result complies with AV limit, AV Result is deemed to comply with AV limit.
3. Test setup: RBW: 200 Hz (9 kHz—150 kHz), 9 kHz (150 kHz—30 MHz).
4. Step size: 80Hz (0.009MHz-0.15MHz), 4 kHz (0.15MHz-30MHz), Scan time: auto.

# TR-4-E-010 Conducted Emission Test Result

**Test Site** : DDT 1# Shield Room D:\2021 CE report date\Q21070611-1E ISP132\RF CE.EM6  
**Test Date** : 2021-07-22 **Tested By** : Zora Zhang  
**EUT** : Wireless Speaker with BUILT-IN **Model Number** : MEETING MATE  
           : Microphone For Home and Office **Test Mode** : Tx mode  
**Power Supply** : AC 120V/60Hz **Condition** : TEMP:24.8°C, RH:53.8%, BP:101.4kPa  
**Condition** : TEMP:24.8°C, RH:53.8%, BP:101.4kPa **LISN** : 2020 ENV 216 1#/NEUTRAL

**Memo** :  
 Data: 16



Item (Mark)	Freq. (MHz)	Read Level (dBμV)	LISN Factor (dB)	Cable Loss (dB)	Pulse Limiter Factor (dB)	Result Level (dBμV)	Limit Line (dBμV)	Over Limit (dB)	Detector	Phase
1	0.32	28.07	9.38	0.02	9.86	47.33	59.71	-12.38	QP	NEUTRAL
2	0.32	13.16	9.38	0.02	9.86	32.42	49.71	-17.29	Average	NEUTRAL
3	0.98	27.84	9.39	0.03	9.86	47.12	56.00	-8.88	QP	NEUTRAL
4	0.98	8.45	9.39	0.03	9.86	27.73	46.00	-18.27	Average	NEUTRAL
5	1.64	25.12	9.40	0.04	9.86	44.42	56.00	-11.58	QP	NEUTRAL
6	1.64	5.73	9.40	0.04	9.86	25.03	46.00	-20.97	Average	NEUTRAL
7	2.30	23.85	9.40	0.05	9.87	43.17	56.00	-12.83	QP	NEUTRAL
8	2.30	4.06	9.40	0.05	9.87	23.38	46.00	-22.62	Average	NEUTRAL
9	3.57	19.09	9.43	0.07	9.87	38.46	56.00	-17.54	QP	NEUTRAL
10	3.57	3.68	9.43	0.07	9.87	23.05	46.00	-22.95	Average	NEUTRAL
11	8.19	23.42	9.54	0.10	9.88	42.94	60.00	-17.06	QP	NEUTRAL
12	8.19	11.84	9.54	0.10	9.88	31.36	50.00	-18.64	Average	NEUTRAL

Note:

1. Result Level = Read Level + LISN Factor + Pulse Limiter Factor + Cable loss.
2. If QP Result complies with AV limit, AV Result is deemed to comply with AV limit.
3. Test setup: RBW: 200 Hz (9 kHz—150 kHz), 9 kHz (150 kHz—30 MHz).
4. Step size: 80Hz (0.009MHz-0.15MHz), 4 kHz (0.15MHz-30MHz), Scan time: auto.

**END OF REPORT**