



Explorer

iPA76S

Quickstart Guide	English (2 – 6)
Guía de inicio rápido	Español (7 – 11)
Guide d'utilisation rapide	Français (12 – 16)
Guida rapida	Italiano (17 – 21)
Schnellstart-Anleitung	Deutsch (22 – 26)
Snelstartgids	Nederlands (27 – 31)





Quickstart Guide (English)

Introduction

1. Make sure all items listed in the Box Contents are included in the box.
2. **READ THE SAFETY & WARRANTY MANUAL BEFORE USING THE PRODUCT.**
3. **MAKE SURE THE BATTERY IS COMPLETELY CHARGED PRIOR TO FIRST USE FOR MAXIMUM BATTERY LIFE.**
4. Study the connection diagram.
5. Ensure the Master Volume on Explorer is at zero.
6. Connect your devices.
7. Raise the volume to a comfortable level.
8. Return the Master Volume to zero when you are finished using Explorer.

Box Contents

Explorer

Microphone with mic cable

3.5mm (1/8") to 3.5mm (1/8") cable

Power Cable (standard IEC)

Quickstart Guide

Safety & Warranty Manual

Support

For the latest information about this product (system requirements, compatibility information, etc.) and product registration, visit ionaudio.com.

Rechargeable Batteries

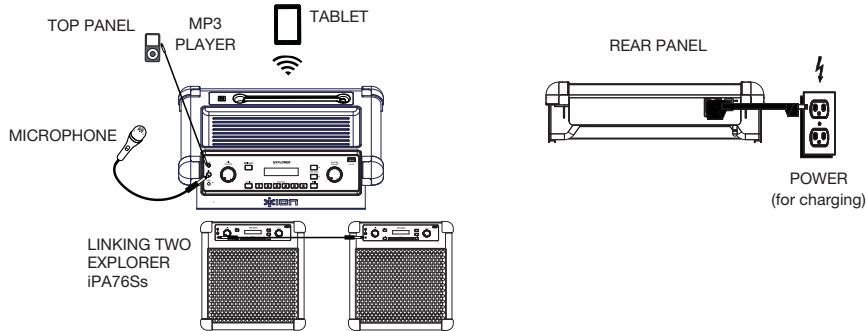
Rechargeable lead-acid batteries are the same type used in automobiles. As with your car battery, how you use this battery has a significant impact on its lifespan. With proper use and treatment, a lead-acid battery can last for years. Here are some recommendations for getting the longest life from the internal battery.

General Usage	Charge fully before use. Charge fully before storing.
Storage	For best product longevity, do not store at exceedingly hot (greater than 90°F / 32°C) or exceedingly cold (less than 32°F / 0°C) temperatures. It is acceptable to leave your sound system plugged in. This will not overcharge the battery. If you leave the battery level low and do not charge it for 6 months, it may permanently lose capacity.
Repair	If the battery fails to charge, check the fuse near the power cable input. If the fuse is not intact, please replace it. The battery can be replaced (details in the Technical Specifications). For Warranty and Parts, contact the Parts Dept. at 401-658-3743 or by visiting ionaudio.com .
Disposal	Bring the unit to a recycling center or dispose of in accordance with local ordinances.

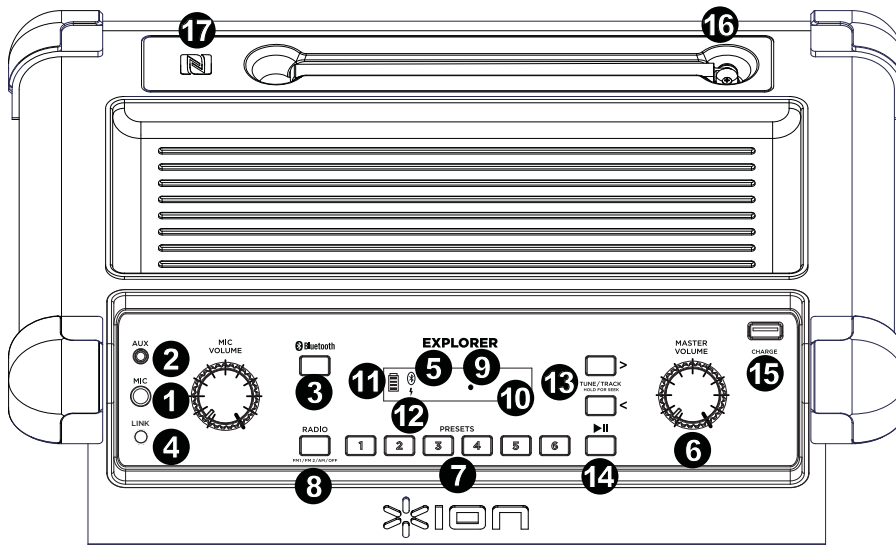
Quick Setup

Connection Diagram

Items not listed under the **Box Contents** are sold separately.



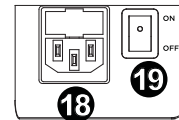
Features



1. **Microphone Input with Volume Control (1/4"):** This mono input accepts a 1/4" input such as a microphone, guitar, or other musical instrument.
2. **Auxiliary input:** This stereo 3.5 mm (1/8") input can be used to connect a CD player, MP3 player, or other audio source.
3. **Bluetooth Button:** Press the Bluetooth button to disconnect a paired Bluetooth device.
4. **Speaker Link:** Connect two or more Explorers together using a 1/8" (3.5 mm) stereo aux cable. A 2' cable is included but a longer one can be purchased from a local electronics retailer.
5. **Bluetooth Icon:** The Bluetooth icon will not be lit when Explorer is first powered on (unless it was previously paired with a device). The Bluetooth icon will be lit solid when a device is paired to Explorer.
6. **Master Volume Control:** This adjusts the speaker's main mix volume, which includes the Microphone Input, Auxiliary Input, Radio, and the audio of a paired Bluetooth device.



7. **AM/FM Presets:** Store a favorite radio station and quickly tune to a preset radio station. There are 6 numeric positions to store AM band presets and 12 numeric positions to store FM band presets (6 numeric positions for FM1 and 6 numeric positions for FM2).
To add a preset:
 - A. Select either the AM, FM1, or FM2 band and then use the Radio buttons to select the desired radio station.
 - B. Press and hold a numeric preset button to assign the current station to that preset number. The display will show "SAVE" to show the station has been saved. To use an added preset, tap a preset number once lightly to go to the stored radio station.
8. **Radio Selector:** This button sets the Radio to AM, FM1, FM2 or turns the radio off.
9. **Decimal Icon:** The decimal icon will be lit when Explorer is powered on. The decimal icon will not be lit when Explorer is powered off.
10. **Display:** Displays the current radio station, battery status, and Bluetooth status.
11. **Charging Indicator:** With the battery charging indicator, when the power cable is connected, movement of the top battery segment shows the battery is charging. When fully charged, all battery segments will be lit without blinking. When the power cable is disconnected, the battery segment shows the level of the battery.
12. **Lightning Bolt Icon:** The lightning bolt icon will illuminate when the IEC power cable is connected to wall power.
13. **Tune/Track Buttons:** Tap these buttons to tune in a radio station or go to the previous/next track on a Bluetooth connected device. To "seek" (jump to the next available station), hold either button down for a few seconds until it starts to seek a station. The unit will remember the last station it was on and start at that station when powered off and on again.
14. **Play/Pause:** Press to play or pause a track from a connected Bluetooth device.
15. **USB Charging Port:** Connect your device's charge cable here to charge it. USB charging only functions when the unit's power is turned on.
Note: To charge smartphones and tablets faster, put the device's screen to sleep.
16. **Antenna:** Adjust this FM antenna to get the best radio reception. Fold this down when not using the radio and when moving the unit.
17. **NFC** (near-field communication): Touch and briefly hold your supported and enabled device to the NFC logo to pair the device.
18. **Power Cable Input (IEC):** Insert the included power cable here to charge the unit. Note that the Explorer can be used with the power cable while it simultaneously charges the battery.
19. **Power ON/OFF Switch:** Turns Explorer on or off. Please note that while Explorer is connected to a power source, it does not need to be powered on to charge the battery. When the power is on, the display will show the decimal icon or your current radio station.



Pairing a Bluetooth Device

1. Turn on your Bluetooth device.
2. Power on Explorer. If you have previously connected to another Bluetooth device, Explorer will reconnect. To disconnect pairing if the Bluetooth icon is lit solid, press and release the Bluetooth button.
3. Navigate to your Bluetooth device's setup screen, find "Explorer" and connect.
Note: If your Bluetooth device prompts for a pairing code, enter "0000".
4. To disconnect pairing while the Bluetooth icon is lit solid, press and release the Bluetooth button.
5. To connect to another Bluetooth device, repeat step 3.

Note: Maximum range will be achieved when using devices with Bluetooth 4.0 or higher.

Pairing a Bluetooth Device Using NFC

NFC (near-field communication) allows data exchange from devices, such as pairing, by gently bumping them together. Check in your device's manual to see if this feature is supported.

To use NFC to pair with Explorer:

1. In order to use NFC, your device must be turned on and unlocked.
2. Enter your device's **Settings** menu and check that **NFC** is turned **On** (one time step).
3. Power on Explorer.
4. Touch and briefly hold your device to the NFC logo.
5. Follow the pairing instructions that appear on your phone. If a passcode is required, enter "0000".
6. To unpair, gently bump your device against the NFC logo located on Explorer's top panel.

To use the free Block Rocker app, navigate Google Play on your Android device or the App Store on your iOS device, and search for **ION Block Rocker**. This app provides EQ, sound effects, and more!



Troubleshooting

If the sound is distorted: Try lowering the volume control of your sound source, musical instrument, or microphone. Also, try to reduce the overall volume of Explorer using the Master Volume knob.

If there is too much bass: Try adjusting the tone or EQ control on your sound source to lower the bass level. This will allow you to play the music louder before clipping (distortion) occurs. You can also control EQ using the free ION Block Rocker app for iOS and Android.

If there is a high-pitched whistling noise when using microphones: This is probably feedback. Point the microphone away from the speaker.

If there is poor AM reception: To adjust AM reception, move entire unit.

If you can't hear the microphone over the music volume: Turn down the music volume from your source.

If you can't play music from a flash drive: The USB port is only for charging USB devices.



Technical Specifications

Dimensions (Depth x Width x Height)	11" x 15" x 17.25" 279 mm x 381 mm x 438 mm		
Weight	24.6 lbs. 11.16 kg		
Tweeter	3" (76 mm) tweeter		
Woofer	8" (203 mm) woofer		
Audio Output Power	50 W (peak)		
Frequency Response (Aux)	65 Hz-20 kHz (\pm 3 dB)		
Supported Bluetooth Profiles	A2DP, AVRCP		
Bluetooth Range	Up to 100' / 30.5 m *		
Microphone Type	Dynamic microphone		
Aux Input	3.5 mm (1/8") line-level		
Link Output	3.5 mm (1.8") line-level		
Battery Type	12V 7.0Ah SLA		
Battery Dimensions (Depth x Width x Height)	2.6" x 5.9" x 3.7" 65 mm x 121 mm x 93.5 mm		
Battery Life	Up to 75 hours **		
Power	Input voltage: 100-240V~ 50/60Hz, 50W		
Fuse Type	T1AL 250V		
Charge Port	USB; +5V, 1A		
Radio Frequency Range	US: AM 520 – 1710 kHz FM 87.5 – 108 MHz	EUROPE: AM 522 – 1629 kHz FM 87.5 – 108 MHz	JAPAN: AM 520 – 1710 kHz FM 75.5 – 90.5 MHz

Specifications are subject to change without notice.

* Bluetooth range is affected by walls, obstructions, and movement. For optimal performance, place the product in your room at line of sight, so it is unaffected by walls, furniture, etc.

** Battery life may vary based on temperature, age, and volume usage of product.

For the electrostatic discharge (ESD) test of EN301 489-1/17, it was found that manual operation is needed to resume normal operation as intended after the test.

Trademarks and Licenses

ION Audio is a trademark of ION Audio, LLC, registered in the U.S. and other countries.

The *Bluetooth* word mark and logos are owned by the Bluetooth SIG, Inc. and any use of such marks by ION Audio is under license.

iOS is a registered trademark of Cisco in the U.S. and other countries and is used under license.

The N Mark is a trademark or registered trademark of NFC Forum, Inc. in the United States and in other countries.

App Store is a service mark of Apple Inc., registered in the U.S. and other countries.

Android and Google Play are registered trademarks of Google Inc.

All other product or company names are trademarks or registered trademarks of their respective owners.