



PARTY ROCKER PLUS

Quickstart Guide

English (3 – 6)

Appendix

English (7)

Quickstart Guide (English)

Introduction

Box Contents

- Party Rocker Plus
- Microphone with Cable
- 1/8" Stereo Aux Cable
- Power Cable
- Quickstart Guide
- Safety & Warranty Manual

Support

For the latest information about this product (system requirements, compatibility information, etc.) and product registration, visit ionaudio.com.

Rechargeable Batteries

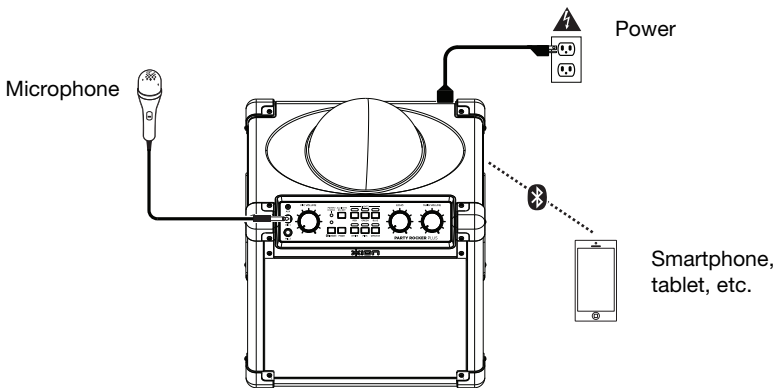
Rechargeable lead-acid batteries are the same type used in automobiles. As with your car battery, how you use this battery has a significant impact on its lifespan. With proper use and treatment, a lead-acid battery can last for years. Here are some recommendations for getting the longest life from the internal battery.

- General Usage** Fully charge the battery before using it.
Charge the battery completely after each use.
- Storage** For best product longevity, do not store at exceedingly hot (greater than 90°F / 32°C) or exceedingly cold (less than 32°F / 0°C) temperatures.
It is acceptable to leave your sound system plugged in. This will not overcharge the battery.
If you leave the battery level low and do not charge it for 6 months, it may permanently lose capacity.
- Repair** If the battery fails to charge, check your fuse near the power cable input. If your fuse is intact and it still will not charge, contact ION Audio at ionaudio.com.
- Disposal** Bring the unit to a recycling center or dispose of in accordance with local ordinances.

Quick Setup

1. Make sure all items listed under [Introduction > Box Contents](#) at the beginning of this guide are included in the box.
2. Read safety instruction booklet before using the product.
3. For optimal performance, place Party Rocker Plus in the center of the room so it is unobstructed by walls, furniture, etc.
4. Turn down the **Master Volume** on the Party Rocker Plus.
5. Turn on Party Rocker Plus.
6. Connect your music player with an audio cable or Bluetooth. (see [Connecting with a Bluetooth Device](#) for more details on this)
7. Adjust the volume on your music player and on Party Rocker Plus as needed.
8. Adjust the **Light Mode** button on Party Rocker Plus as needed.
9. Turn off Party Rocker Plus when not in use.

Connection Diagram

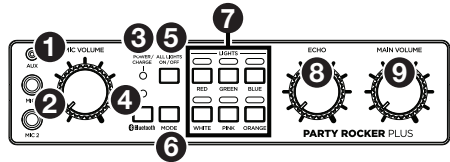


Items not listed under [Introduction > Box Contents](#) are sold separately.

Features

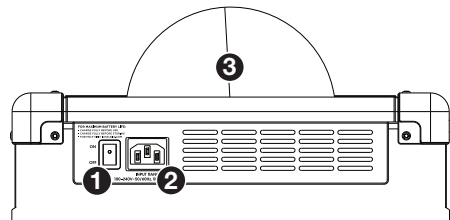
Front Panel

- Auxiliary input:** This stereo 1/8" input can be used to connect a smartphone, MP3 player, or other audio source.
- Microphone Inputs with Volume Control (1/4"):** These mono inputs accept 1/4" inputs such as a microphone, guitar, or other musical instrument.
- Power/Charge LED:** The LED will be solid green when powered on and solid red when the unit is charging. If the unit is powered on while charging, the LED will turn green when battery charging is completed. If the unit is powered off while charging, the LED will turn off when charging is completed.
- Bluetooth LED/Disconnect Button:** The LED will be lit when a device is paired to Party Rocker Plus. This LED will not be lit when Party Rocker Plus is first powered on (unless it was previously paired with a device). Press the button to disconnect a paired Bluetooth device.
- All Lights On/Off:** Press this button to turn all lights on or off.
- Light Mode:** There are four modes to select from for how the dome lights react to the music:
 - **Beat Sync:** The dome lights spin and change color to the beat of the music playing.
 - **Auto:** The dome lights spin and change color with a predetermined pattern regardless of the beat of the music playing.
 - **Fade:** Each color fades in and out for about one second before changing to the next color.
 - **Freeze:** All colors remain on and unmoving until a new mode is selected.
 - **Off:** The dome lights turn off.
- Light Buttons:** Use these buttons to turn each color in the Dome on or off—Red, Green, Blue, White, Pink, and Orange.
- Echo:** Use this knob to add or remove an echo effect when using a microphone.
- Master Volume Control:** This adjusts the speaker's main mix volume, which includes Microphone Inputs, Auxiliary Input, and the audio of a paired Bluetooth device.



Rear Panel

- Power On/Off Switch:** Turns Party Rocker Plus on or off.
- Power Cable Input (IEC):** Insert the included power cable here to power the unit.
- Dome:** The dome light can spin and react to the music playing (depending on the Light Mode that is selected).



Warning: Do not look directly into the dome light. Do not sit, stand, or apply pressure on the dome light.

Connecting with a Bluetooth Device

1. Turn on your Bluetooth device.
2. Power on Party Rocker Plus and it will automatically go into pairing mode to search for Bluetooth devices. You will know you are in pairing mode when the **Bluetooth LED** is off.
3. If your Bluetooth device is not able to pair to Party Rocker Plus, press the **Bluetooth Disconnect** button on the unit to break previous Bluetooth connections and reset the Bluetooth module.
4. Navigate to your Bluetooth device's setup screen, find **Party Rocker Plus** and connect.
Note: If your Bluetooth device prompts for a pairing code, enter **0000**.
5. **Bluetooth LED** will light up solid when it is "paired."
Note: If you experience trouble pairing or playing music, update your device's OS.
6. To disconnect pairing, press the **Bluetooth Disconnect** button on Party Rocker Plus.
7. To connect to another Bluetooth device, repeat steps 3-4.

Note: Maximum range will be achieved when using devices with Bluetooth 4.0.

Troubleshooting

If the sound is distorted: Try lowering the volume control of your sound source or musical instrument. Also, try to reduce the overall volume of Party Rocker Plus.

If there is too much bass: Try adjusting the tone or EQ control on your sound source to lower the bass level. This will allow you to play the music louder before clipping (distortion) occurs.

If there is a high-pitched whistling noise when using microphones: This is probably feedback. Point the microphone away from the speaker.

If you can't hear the microphone over the music volume: Turn down the music volume from your source.

Appendix (English)

Technical Specifications

Output Power	50 W (peak)
Drivers	6" woofer 1" tweeter
Lights	6 3 W LEDs (1 per color—Red, Green, Blue, White, Pink, and Orange)
Supported Bluetooth Profile	A2DP
Bluetooth Range	Up to 100 feet / 30.5 meters *
Microphone Type	Dynamic microphone recommended (included)
Battery	12 V, 5 Ah SLA
Battery Life	Up to 50 hours ** Recharge time: 10 hours
Power	Input voltage: 100-240 V AC, 50/60 Hz
Dimensions (width x depth x height)	12.25" x 9.4" x 15.1" 311 mm x 239 mm x 384 mm

Specifications are subject to change without notice.

* Bluetooth range is affected by walls, obstructions, and movement. For optimal performance, place the product in the center of the room so it is unobstructed by walls, furniture, etc.

** Battery life may vary based on temperature, age, and volume usage of product.

Trademarks & Licenses

ION Audio is a trademark of ION Audio, LLC, registered in the U.S. and other countries.

The *Bluetooth* word mark and logos are owned by the Bluetooth SIG, Inc. and any use of such marks by ION Audio is under license.

All other product or company names are trademarks or registered trademarks of their respective owners.

ionaudio.com