


# EU

# US

# JP

**WORLD ROCKER** 


SOUND SYSTEM  
BATTERY LEVEL

○ LOW 1 2 3

**FOR MAXIMUM BATTERY LIFE:**

- FULLY CHARGE THE BATTERY BEFORE USING
- RECHARGE THE BATTERY AFTER EACH USE
- IT IS OKAY TO LEAVE SOUND SYSTEM PLUGGED IN
- IF THE BATTERY FAILS TO CHARGE, CONTACT ION AUDIO

WWW.IONAUDIO.COM

**WORLD ROCKER** 


SOUND SYSTEM  
BATTERY LEVEL

○ LOW 1 2 3

**FOR MAXIMUM BATTERY LIFE:**

- FULLY CHARGE THE BATTERY BEFORE USING
- RECHARGE THE BATTERY AFTER EACH USE
- IT IS OKAY TO LEAVE SOUND SYSTEM PLUGGED IN
- IF THE BATTERY FAILS TO CHARGE, CONTACT ION AUDIO

WWW.IONAUDIO.COM

**WORLD ROCKER** 

SOUND SYSTEM  
BATTERY LEVEL

○ LOW 1 2 3

**FOR MAXIMUM BATTERY LIFE:**

- FULLY CHARGE THE BATTERY BEFORE USING
- RECHARGE THE BATTERY AFTER EACH USE
- IT IS OKAY TO LEAVE SOUND SYSTEM PLUGGED IN
- IF THE BATTERY FAILS TO CHARGE, CONTACT ION AUDIO

WWW.IONAUDIO.COM

FREQ. RANGE:  
AM 522 - 1629 KHZ  
FM 87.5 - 108 MHz

FREQ. RANGE:  
AM 520 - 1710 KHZ  
FM 87.5 - 108 MHz

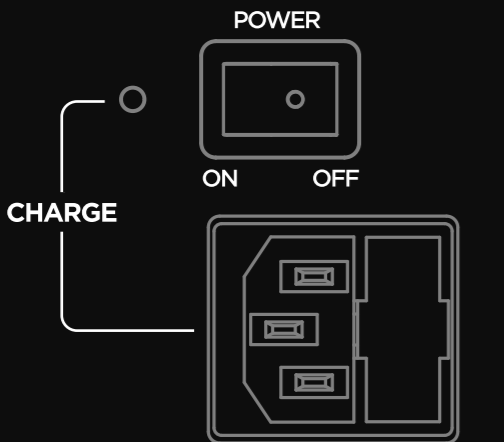
FREQ. RANGE:  
AM 522 - 1710 KHZ  
FM 75.5 - 90.5MHz

**CAUTION**  
RISK OF ELECTRIC SHOCK  
DO NOT OPEN

WARNING: SHOCK HAZARD - DO NOT OPEN  
AVIS: RISQUE DE CHOC ELECTRIQUE - NE PAS OUVRIR  
WARNING: TO REDUCE THE RISK OF FIRE OR ELECTRIC SHOCK  
DO NOT EXPOSE THIS EQUIPMENT TO RAIN OR MOISTURE.  
AVIS: NE PAS EXPOSER CE MATERIEL A LA PLUIE OU L'UMIDITE  
AFIN DE REDUIRE LE RISQUE D'INFLAMMATION OU DE CHOC ELECTRIQUE

THIS DEVICE COMPLIES WITH PART 15 OF THE FCC RULES. OPERATION IS SUBJECT TO THE FOLLOWING TWO CONDITIONS: (1) THIS DEVICE MAY NOT CAUSE HARMFUL INTERFERENCE AND (2) THIS DEVICE MUST ACCEPT ANY INTERFERENCE RECEIVED, INCLUDING INTERFERENCE THAT MAY CAUSE UNDESIRABLE OPERATION.

CE  Bluetooth  
MADE IN CHINA



MODEL: WORLD ROCKER  
FCC ID: 2AB3E-IPA56W  
IC: 10541A-IPA56W

AC	FUSE	INPUT RANGE
115V~ 230V~	T750mAL 250V T315mAL 250V	100-120V~ 60Hz 50W 220-240V~ 50Hz 50W

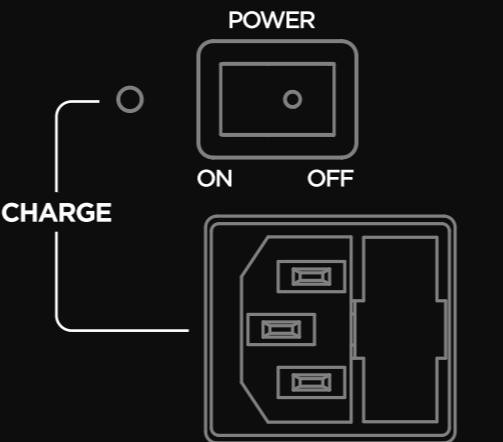
**CAUTION**  
RISK OF ELECTRIC SHOCK  
DO NOT OPEN

WARNING: SHOCK HAZARD - DO NOT OPEN  
AVIS: RISQUE DE CHOC ELECTRIQUE - NE PAS OUVRIR  
WARNING: TO REDUCE THE RISK OF FIRE OR ELECTRIC SHOCK  
DO NOT EXPOSE THIS EQUIPMENT TO RAIN OR MOISTURE.  
AVIS: NE PAS EXPOSER CE MATERIEL A LA PLUIE OU L'UMIDITE  
AFIN DE REDUIRE LE RISQUE D'INFLAMMATION OU DE CHOC ELECTRIQUE

THIS DEVICE COMPLIES WITH PART 15 OF THE FCC RULES. OPERATION IS SUBJECT TO THE FOLLOWING TWO CONDITIONS: (1) THIS DEVICE MAY NOT CAUSE HARMFUL INTERFERENCE AND (2) THIS DEVICE MUST ACCEPT ANY INTERFERENCE RECEIVED, INCLUDING INTERFERENCE THAT MAY CAUSE UNDESIRABLE OPERATION.

UL  **LISTED**  
AUDIO EQUIPMENT  
36GG  
E237804  
Factory ID: Weic  
MADE IN CHINA

 Bluetooth



MODEL: WORLD ROCKER  
FCC ID: 2AB3E-IPA56W  
IC: 10541A-IPA56W

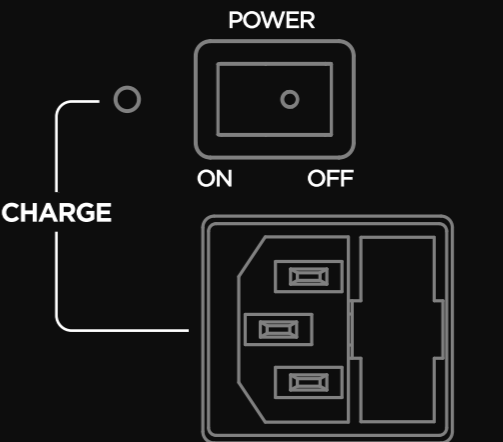
AC	FUSE	INPUT RANGE
120V~	T750mAL 250V	100-120V~ 60Hz 50W

**CAUTION**  
RISK OF ELECTRIC SHOCK  
DO NOT OPEN

WARNING: SHOCK HAZARD - DO NOT OPEN  
AVIS: RISQUE DE CHOC ELECTRIQUE - NE PAS OUVRIR  
WARNING: TO REDUCE THE RISK OF FIRE OR ELECTRIC SHOCK  
DO NOT EXPOSE THIS EQUIPMENT TO RAIN OR MOISTURE.  
AVIS: NE PAS EXPOSER CE MATERIEL A LA PLUIE OU L'UMIDITE  
AFIN DE REDUIRE LE RISQUE D'INFLAMMATION OU DE CHOC ELECTRIQUE

THIS DEVICE COMPLIES WITH PART 15 OF THE FCC RULES. OPERATION IS SUBJECT TO THE FOLLOWING TWO CONDITIONS: (1) THIS DEVICE MAY NOT CAUSE HARMFUL INTERFERENCE AND (2) THIS DEVICE MUST ACCEPT ANY INTERFERENCE RECEIVED, INCLUDING INTERFERENCE THAT MAY CAUSE UNDESIRABLE OPERATION.

PS E  Bluetooth  
AC 100V 50Hz 20W  
警告 必ず接地接続を行ってください。  
R 003-120215



MODEL: WORLD ROCKER  
FCC ID: 2AB3E-IPA56W  
IC: 10541A-IPA56W

AC	FUSE	INPUT RANGE
100V	T1AL 250V	100V~ 50Hz 50W

Layer 3 - Pantone Process White C		
Layer 2 - Mech - DO NOT PRINT		
Layer 1 - Reference/Images		
Change from the previous		
Rev		
Mott	Kyte	09-16-2014
RevD		
World Rocker Side Panel	IPA56W	
Product Development	Product Spec	
CONFIDENTIAL NOTICE: This document contains information that is confidential and the property of Numark Industries. Unless you are the intended recipient (or authorized to receive for the intended recipient), you may not read, print, retransmit, use, copy, distribute or disclose to anyone the message or any information contained in this document. If you have received this document in error, please advise the sender by reply e-mail, and destroy all copies of the original document.		
REFERENCE CORRESPONDING 3D FILES FOR EXACT PART LOCATIONS AND DIMENSIONS		