

ION POWER GLOW 300 iPA118A

CAUTION
RISK OF ELECTRIC SHOCK
DO NOT OPEN

AVIS: RISQUE DE CHOC ELECTRIQUE - NE PAS OUVRI
WARNING: TO REDUCE THE RISK OF FIRE OR ELECTRIC SHOCK
DO NOT EXPOSE THIS EQUIPMENT TO RAIN OR MOISTURE
AVIS: NE PAS EXPOSER CE MATERIEL A LA PLUIE OU L'HUMIDITE
AFIN DE REDUIRE LE RISQUE D'INFLAMMATION OU DE CHOC ELECTRIQUE

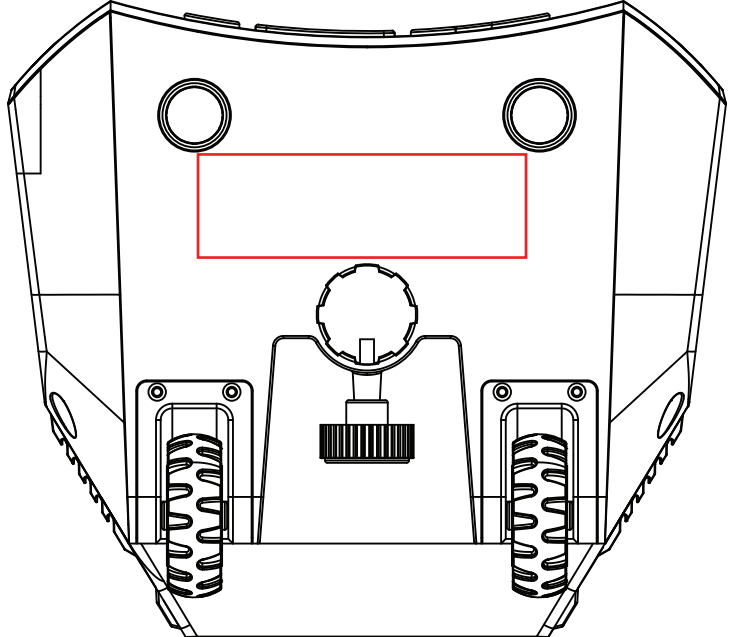
In Denmark: "Apparatets stikprop skal tilsluttes en stikkontakt med jord som giver forbindelse til stikproppens jord."
In Finland: "Laitte on liitettävä suojakoskettimilla varustettuun pistorasiaan"
In Norway: "Apparatet må tilkoples jordet stikkontakt"
In Sweden: "Apparaten skall anslutas till jordat uttag"

ETL VERIFIED
Intertek
EP5013903
ENERGY PERFORMANCE VERIFIED
RENDEMENT ENERGETIQUE VERIFIE

ETL LISTED US
Intertek
3043205
CONFORMS TO UL STD. 62368-1
CERTIFIED TO CSA STD. C22.2 NO.62368-1
CAN ICES-003(B)/NMB-003(N)
FCC ID: 2AB3E-IPA118A
IC: 10541A-IPA118A

Bluetooth
CE
BC
MADE IN CHINA

THIS DEVICE COMPLIES WITH PART 15 OF THE FCC RULES. OPERATION IS SUBJECT TO THE FOLLOWING TWO CONDITIONS: (1) THIS DEVICE MAY NOT CAUSE HARMFUL INTERFERENCE AND (2) THIS DEVICE MUST ACCEPT ANY INTERFERENCE RECEIVED, INCLUDING INTERFERENCE THAT MAY CAUSE UNDESIRABLE OPERATION.
US Address: Ion Audio, LLC 200 Scenic View Dr.
Cumberland, RI 02864 USA
EU Address: inMusic GmbH Harkortstr. 12-32
40880 Ratingen, Germany



137*45mm