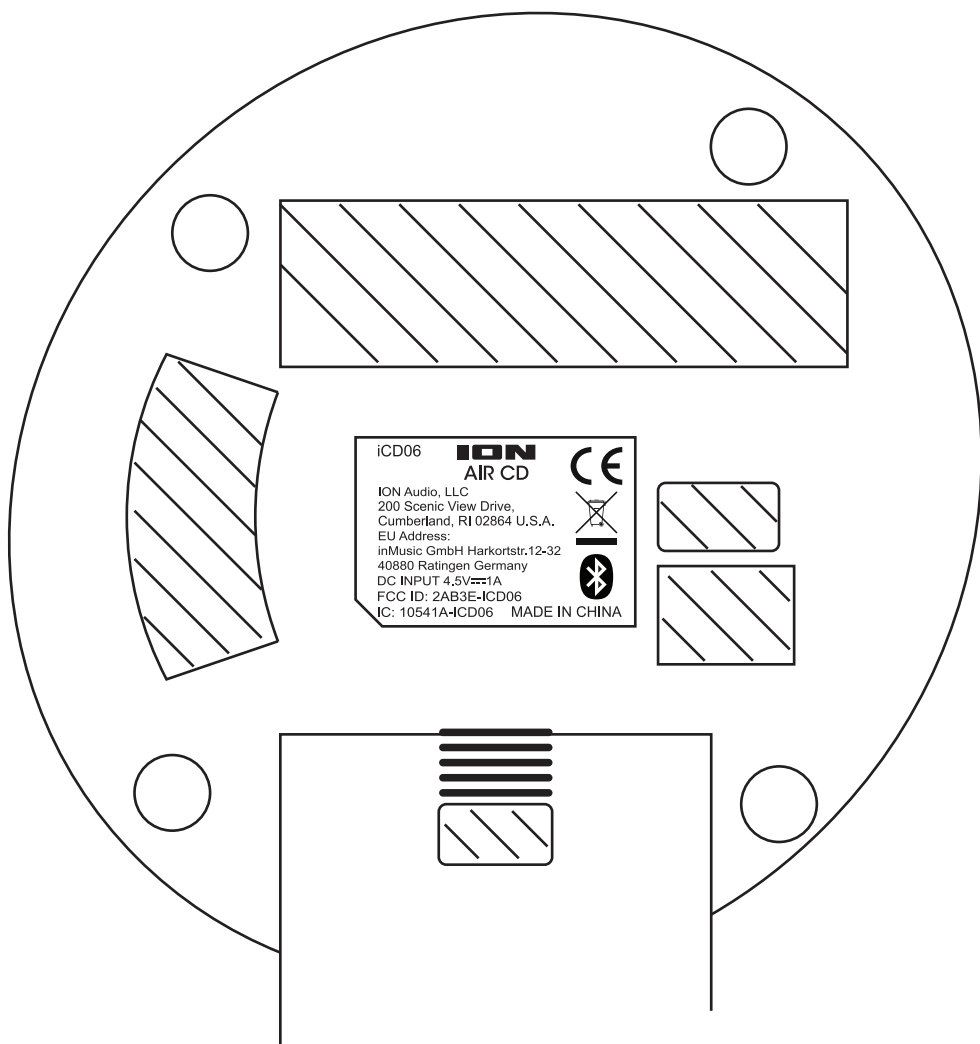




TOP



BOTTOM





THIS DEVICE COMPLIES WITH PART 15 OF THE FCC RULES.
OPERATION IS SUBJECT TO THE FOLLOWING TWO CONDITIONS:
(1) THIS DEVICE MAY NOT CAUSE HARMFUL INTERFERENCE, AND
(2) THIS DEVICE MUST ACCEPT ANY INTERFERENCE RECEIVED,
INCLUDING INTERFERENCE THAT MAY CAUSE UNDESIRABLE
OPERATION.
PRODUCT COMPLIES WITH DHHS RULES 21 CFR SUBCHAPTER J,
APPLICABLE AT DATE OF MANUFACTURE.