

ARIZE



Arize Motion sensor-AMS220

Content:

Zigbee Motion Sensor	2
Pet immunity.....	2
1. Product Introduction.....	2
2. Product Appearance	2
3. Features/Capabilities:	4
4. Installation Position and Notes	4
5. Product Installation.....	5
6. Product Usage	6
6.1 Low voltage alarm to remind changing battery.....	6
7. Attention	6

Zigbee Motion Sensor

Pet immunity

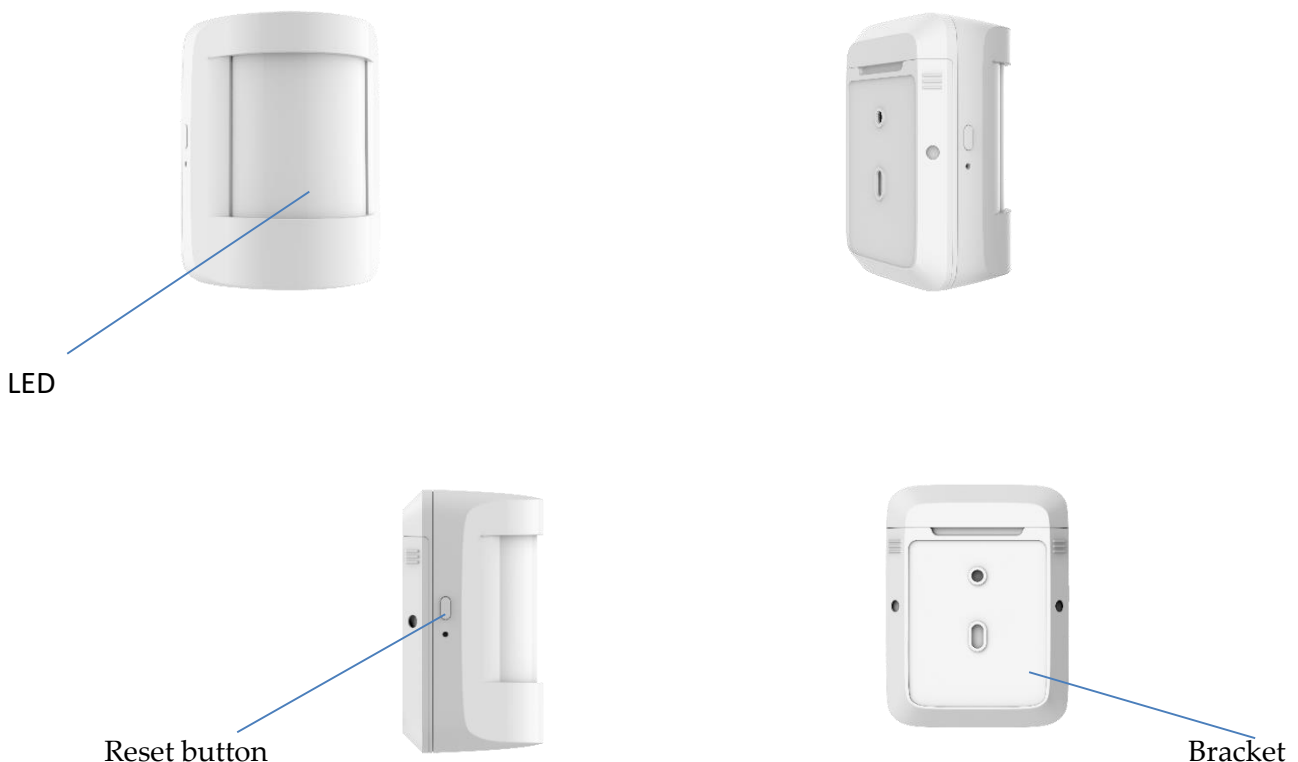
Quick Start Guide

1. Product Introduction

The Motion Sensor lets you know when movement is detected in a certain area and can trigger different actions in response to that movement (or lack of movement). It supports the pet immunity up to 80 lbs. This sensor integrated Zigbee communication module to connect with Arize Smart Hub.

2. Product Appearance

Product appearance and function overview.



- ① **Reset** : Press the reset button for 3 seconds then release the pin to reset the sensor. After the reset, the sensor will be found by the App or the gateway when they search for the device.
- ② **LED Indicator**: If sensor has not been added to hub, the LED will be blinking about one time per second. The LED will turn off when joined to gateway successfully.
- ③ **Anti-Tamper switch**: When the sensor is removed from the bracket, it can report tamper to gateway.

Specification

Detection angle	80 degrees
Detection distance	8 meters / 26.25 feet
Pet immune	80 lbs (36 kgs)
Mounting height	6.23 ft. to 7.55 ft. (1.9m to 2.3m)
Light sensor	20 lux for day/night(bright/dark)
Protocol	Zigbee 3.0
Power source	Battery-powered
Battery type	CR123A X 1
Battery life	3 years
Anti-Tamper	YES
Low power alarm	YES
Certifications	CE/FCC

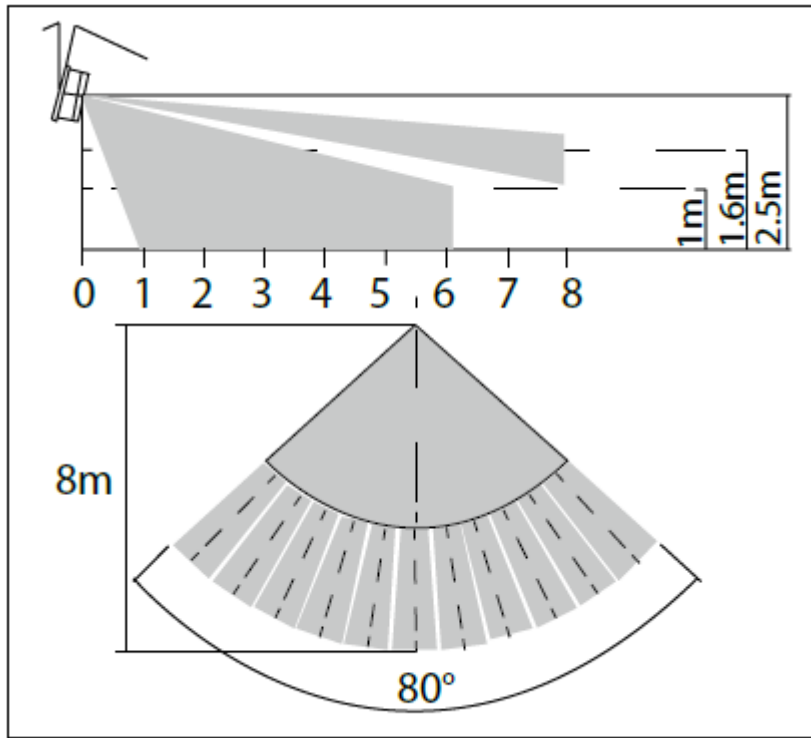
3. Features/Capabilities:

- ◆ Supports pet immunity up to 80 lbs (36 kgs)
- ◆ Use PIR & Fresnel lens technology
- ◆ Easy installation with bracket
- ◆ Low battery alarm
- ◆ Equipped with an anti-tamper switch that reports any tampering

4. Installation Position and Notes

1. Installation position should be chosen at the area which the pass-by will be across, try to make the pass-by in the detection area as below.

Side view



Top view

2. Do avoid installation near air-conditioner, electric fans, refrigerators, ovens or other places where temperature easy change.
3. In order not to affect the detecting result, there should be no object in front of the produces lens.
4. Building (such as the wall) will shorten the distance of wireless communication.
5. This device can be mounted on the wall only, it cannot be installed on the ceiling.

5. Product Installation

Adding the device as accessories, install it according to the diagram below:

- ① Choose the installation location on the wall, fix the bracket by screw or 3M adhesion tape on the wall.
- ② Take off the bracket in the back, and draw out the battery insulation sheet, then assembly the bracket.
- ③ Assembly the main body to the bracket.

6. Product Usage

6.1 Low voltage alarm to remind changing battery.

This product has low voltage detection reminder, when the battery voltage is in low status, the detector will give out low battery signal to controller.

7. Attention

1. If need to clean the sensor, please use a soft cloth with a little alcohol to wipe it after you cut off the power.
2. This product is just for indoor use.
3. Replace the battery timely on low battery warning to ensure the detector works properly. Please remove the battery and safe keeping, if you don't use this product for a long time.
4. This device can be mounted on the wall only, it cannot be installed on the ceiling.
5. The reference range template of PIR detection is tested at the indoor temperature (the range is 20°C ~ 25°C), the target of the test is 77kg ± 10kg weight and 1.71m ± 0.3m height, the target of the test across movement speed is 4m/s ± 0.15m/s.

6. In order to prevent the PIR sensor's abnormal fault, please don't mounting and operating sensor in the bellow conditions,

Firstly, product mounting should prevent installed in the air flow environment such as in front of the door, window, heater, air conditioner and so on.

Secondly, the PIR detection area should not be shielded by other screen.

Thirdly, if the operating temperature range is out of the defined range of product specification may result in some product faults.

Fourthly, this product has not pet immunity function, so when some animals go through in front of the product may trigger PIR function reported.

RISK OF EXPLOSION IF BATTERY IS REPLACED BY AN INCORRECT TYPE. DISPOSE OF USED BATTERIES ACCORDING TO THE INSTRUCTIONS



Dispose of the device separately from household waste at an official collection point. Professional recycling protects people and the environment against potential negative effects.

FCC ID: 2AB2QM604MOTION

This equipment complies with FCC radiation exposure limits set forth for an uncontrolled environment. This equipment should be installed and operated with a minimum distance of 20cm between the radiator and any part of your body.

This device complies with Part 15 of the FCC Rules. Operation is subject to the following two conditions: (1) This device may not cause harmful interference. (2) This device must accept any interference received, including interference that may cause undesired operation.

Caution: The user is cautioned that changes or modifications not expressly approved by the party responsible for compliance could void the user's authority to operate the equipment.

Note: This equipment has been tested and found to comply with the limits for a Class B digital device, pursuant to part 15 of the FCC Rules. These limits are designed to provide reasonable protection against harmful interference in a residential installation. This equipment generates uses and can radiate radio frequency energy and, if not installed and used in accordance with the instructions, may cause harmful interference to radio communications. However, there is no guarantee that interference will not occur in a particular installation. If this equipment does cause harmful interference to radio or television reception, which can be determined by turning the equipment off and on, the user is encouraged to try to correct the interference by one or more of the following measures:

- Reorient or relocate the receiving antenna.
- Increase the separation between the equipment and receiver.
- Connect the equipment into an outlet on a circuit different from that to which the receiver is connected.
- Consult the dealer or an experienced radio/TV technician for help.

IC NOTICE TO CANADIAN USERS

Déclaration d'exposition aux radiations:

Cet équipement est conforme aux limites d'exposition aux rayonnements IC établies pour un environnement

non contrôlé. Cet équipement doit être installé et utilisé avec un minimum de 20 cm de distance entre la source de rayonnement et votre corps.

Le présent appareil est conforme aux CNR d'Industrie Canada applicables aux appareils radio exempts de licence. L'exploitation est autorisée aux deux conditions suivantes : (1) l'appareil ne doit pas produire de brouillage, et (2) l'utilisateur de l'appareil doit accepter tout brouillage radioélectrique subi, même si le brouillage est susceptible d'en compromettre le fonctionnement.

This Class B digital apparatus complies with Canadian ICES-003 (Cet appareil numérique de la Classe B conforme à la norme NMB-003 du Canada).

Hereby, Corporation declares that this device is in compliance with the essential requirements and other relevant provisions of Directive 2014/53/EU