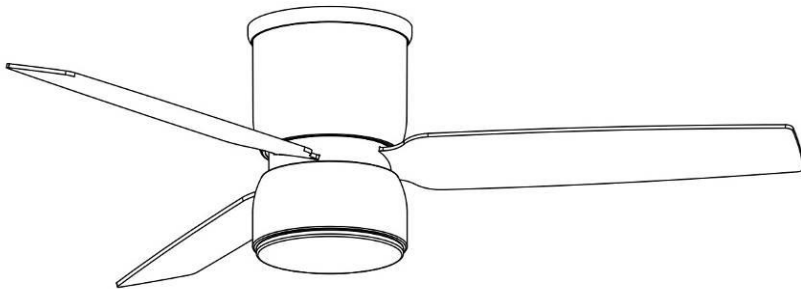


# USE AND CARE GUIDE

## OSSA 52-INCH SMART CEILING FAN



Questions, problems, missing parts? Before returning to the store,  
call Home Decorators Collection Customer Service  
8 a.m. - 7 p.m., EST, Monday-Friday, 9 a.m. - 6 p.m., EST, Saturday.

1-800-986-3460

HOMEDEPOT.CA



---

**THANK YOU**

*We appreciate the trust and confidence you have placed in Home Decorators Collection through the purchase of this ceiling fan. We strive to continually create quality products designed to enhance your home. Visit us online to see our full line of products available for your home improvement needs. Thank you for choosing Home Decorators Collection!*

# Table of Contents

|                          |   |                         |    |
|--------------------------|---|-------------------------|----|
| Table of Contents .....  | 2 | Assembly .....          | 7  |
| Safety Information ..... | 2 | Operation .....         | 11 |
| Warranty .....           | 3 | Care and Cleaning ..... | 12 |
| Pre-Installation .....   | 3 | Troubleshooting.....    | 12 |
| Installation.....        | 6 |                         |    |

## Safety Information

### READ AND SAVE THESE INSTRUCTIONS.

1. To reduce the risk of electric shock, ensure the electricity has been turned off at the circuit breaker or fuse box before you begin.
2. All wiring must be in accordance with the National Electrical Code ANSI/NFPA 70-1999 and local electrical codes. Electrical installation should be performed by a qualified licensed electrician.
3. To reduce the risk of fire, electric shock, or personal injury, mount to outlet box marked acceptable for fan support of 35 lbs (15,87 kg ) on less and use mounting screws provided with the outlet box. Most outlet boxes commonly used for the support of lighting fixtures are not acceptable for fan support and may need to be replaced. Consult a qualified electrician if in doubt. The fixing means for attachment to the ceiling such as hooks or other devices shall be fixed with a sufficient strength to withstand 4 times the weight of the ceiling fan.
4. To reduce the risk of injury to persons, install fan so that the blade is at least 7 ft (2.1m) above the floor.
5. Do not operate the reversing switch while the fan blades are in motion. You must turn the fan off and stop the blades before you reverse the blade direction.
6. Do not place objects in the path of the blades.
7. To avoid personal injury or damage to the fan and other items, use caution when working around or cleaning the fan.
8. After making electrical connections, spliced conductors should be turned upward and pushed carefully up into the outlet box. The wires should be spread apart with the grounded conductor and the equipment-grounding conductor on one side of the outlet box. The ungrounded conductor on the other side of the outlet box.
9. All setscrews must be checked and retightened where necessary before installation.



**WARNING:** To reduce the risk of personal injury, do not bend the blade brackets (also referred to as flanges) during assembly or after installation. Do not insert objects in the path of the blades.



**WARNING:** To avoid possible electrical shock, turn the electricity off at the main fuse box before wiring. If you feel you do not have enough electrical wiring knowledge or experience, contact a licensed electrician.



**WARNING:** To reduce the risk of fire or electric shock, do not use this fan with any solid state speed control device.



**WARNING:** To reduce the risk of fire or electric shock, this fan should only be used with fan speed control part no. D-SLF-A17-01-A, manufactured by LEEDARSON LIGHTING CO., LTD.



**CAUTION:** To reduce the risk of personal injury, use only the screws provided with the outlet box.



**WARNING:** To reduce the risk of fire or electric shock, this fan must be installed with an isolating wall switch.



**WARNING:** To reduce the risk of personal injury, if unusual oscillating movement is observed, immediately stop using the ceiling fan and contact with a qualified licensed electrician.



**WARNING:** All replacement of parts and the mounting of the safety suspension system device shall be performed by qualified licensed electricians.

To reduce the risk of injury to persons, not intended for use by persons (including children) with reduced physical, sensory or mental capabilities, or lack of experience and knowledge, unless they have been given supervision or instruction concerning use of the fan by a person responsible for their safety. Children should be supervised to ensure that they do not play with the fan.

## Wireless Protocol

The Wi-Fi CERTIFIED™ Logo is a certification mark of Wi-Fi Alliance®. Apple and the Apple logos are trademarks of Apple, Inc., registered in the U.S., and other countries. App Store is a service mark of Apple Inc. Google and Google Play are trademarks of Google LLC.



## Warranty

The supplier warrants the fan motor to be free from defects in workmanship and material present at time of shipment from the factory for a lifetime after the date of purchase by the original purchaser. The supplier also warrants that all other fan parts, excluding any glass or acrylic blades, to be free from defects in workmanship and material at the time of shipment from the factory for a period of two years after the date of purchase by the original purchaser. We agree to correct such defects without charge or at our option replace with a comparable or superior model if the product is returned. To obtain warranty service, you must present a copy of the receipt as proof of purchase. All costs of removing and reinstalling the product are your responsibility. Damage to any part, such as by accident, misuse, improper installation, or by affixing any accessories, is not covered by this warranty. Because of varying climatic conditions this warranty does not cover any changes in brass finish, including rusting, pitting, corroding, tarnishing, or peeling. Brass finishes of this type give their longest useful life when protected from varying weather conditions. A certain amount of "wobble" is normal and should not be considered a defect. Servicing performed by unauthorized persons shall render the warranty invalid. There is no other express warranty. Home Decorators Collection hereby disclaims any and all warranties, including but not limited to those of merchantability and fitness for a particular purpose to the extent permitted by law. The duration of any implied warranty, which cannot be disclaimed, is limited to the time period as specified in the express warranty. Some states do not allow a limitation on how long an implied warranty lasts, so the above limitation may not apply to you. The retailer shall not be liable for incidental, consequential, or special damages arising out of or in connection with product use or performance except as may otherwise be accorded by law. Some states do not allow the exclusion of incidental or consequential damages, so the above exclusion or limitation may not apply to you. This warranty gives specific legal rights, and you may also have other rights that vary from state to state. This warranty supersedes all prior warranties. Shipping costs for any return of product as part of a claim on the warranty must be paid by the customer.

Contact the Customer Service Team at 1-800-986-3460 or visit [www.HomeDepot.ca](http://www.HomeDepot.ca).

# Pre-Installation

## SPECIFICATIONS

| Size   | Speed | Volts | Amps | Watts | RPM | CFM  | Net Weight           | Gross Weight         | Cu. Ft. |
|--------|-------|-------|------|-------|-----|------|----------------------|----------------------|---------|
| 52 in. | 1     | 120   | 0.06 | 3     | 70  | 1800 | 16.09lbs<br>(7.3 kg) | 21.83lbs<br>(9.9 kg) | 2.237   |
|        | 2     |       | 0.09 | 5     | 94  | 2300 |                      |                      |         |
|        | 3     |       | 0.14 | 9     | 124 | 3100 |                      |                      |         |
|        | 4     |       | 0.23 | 15    | 154 | 3900 |                      |                      |         |
|        | 5     |       | 0.33 | 23    | 179 | 4700 |                      |                      |         |
|        | 6     |       | 0.53 | 39    | 206 | 5500 |                      |                      |         |



**NOTE:** These are approximate measures. They do not include the amps and wattage used by the light kit.



## TOOLS REQUIRED



Phillips screwdriver



Flat blade screwdriver



Adjustable wrench



Electrical tape



Wire cutter



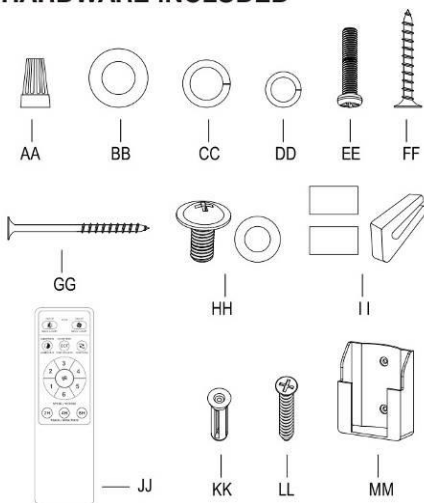
Step ladder

## Pre-Installation (continued)

### HARDWARE INCLUDED



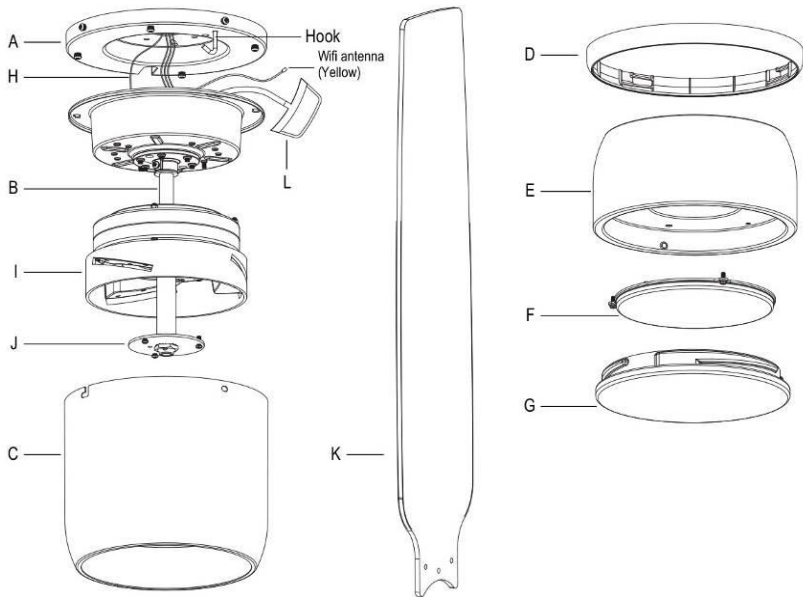
**NOTE:** Hardware not shown to actual size.



| Part | Description   | Quantity |
|------|---|----------|
| AA   | Wire nut (P4)   | 3        |
| BB   | Washer - D15 (φ15)  | 5        |
| CC   | Washer - D5 (φ5)  | 3        |
| DD   | Washer - D4 (φ4)  | 2        |
| EE   | Screw - 1 (M4*25)   | 2        |
| FF   | Screw - 2(ST4.8*35)   | 1        |
| GG   | Screw - 3(ST4.8*77)   | 2        |
| HH   | Extra blades attachment screws (3/16-24*12mm)<br>Extra blades attachment washer | 1        |
| II   | Balancing   | 1        |
| JJ   | Remote control (2 x AAA batteries not included)                                 | 1        |
| KK   | Anchor  | 2        |
| LL   | Screw-4 (ST3*20)  | 2        |
| MM   | Remote Bracket  | 1        |

# Pre-Installation (continued)

## PACKAGE CONTENTS



| Part | Description        | Quantity |
|------|--------------------|----------|
| A    | Mounting plate     | 1        |
| B    | Fan-motor assembly | 1        |
| C    | Ceiling housing    | 1        |
| D    | Trim ring          | 1        |
| E    | Light housing      | 1        |
| F    | LED module         | 1        |

| Part | Description   | Quantity |
|------|---------------|----------|
| G    | Glass shade   | 1        |
| H    | Safety rope   | 1        |
| I    | Rotary plate  | 1        |
| J    | Connect plate | 1        |
| K    | Blade         | 3        |
| L    | Wifi antenna  | 1        |

# Installation

## MOUNTING OPTIONS

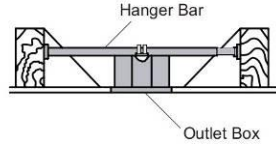
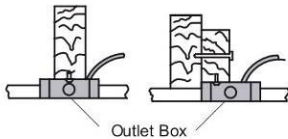
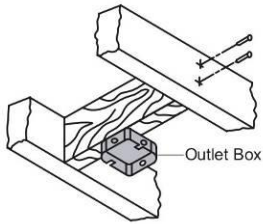


**WARNING:** To reduce the risk of fire, electric shock or personal injury, mount to outlet box marked "Acceptable for fan support of 35 lbs. (15.9 kg) or less", and use screws provided with the outlet box. An outlet box commonly used for the support of lighting fixtures may not be acceptable for fan support and may need to be replaced. If in doubt, consult a qualified electrician.

If your ceiling fan does not have an existing UL-listed mounting box, then install one using the following instructions:

- Disconnect the power by removing the fuses or turning off the circuit breakers.
- Secure the outlet box directly to the building structure. Use the appropriate fasteners and materials. The outlet box and support structure must be securely mounted and capable of reliably supporting 35 lbs. (15.9 kg). Use only UL Listed outlet boxes marked "Acceptable for Fan Support of 35 lbs. (15.9 kg) or less." Do not use a plastic outlet box.

The illustrations below show two different ways to mount the outlet box.




To hang your fan where there is an existing fixture but no ceiling joist, you may need an installation hanger bar as shown above (available at any Home Depot store).

# Assembly - Hanging the Fan

## 1 Install the mounting plate to ceiling

- There are 8 pre-installed screws (4 side-N; 4 bottom - M) on the mounting plate (A).
- Remove 2pcs opposite screws from the side and bottom of mounting plate(A), Figure 1.
- Align 2pcs screws (EE/GG) through washers and then install screws (EE/GG) through mounting plate (A) onto the outlet box. If outlet box has thread holes, please use the screws - M4x25 (EE), washer - D4(DD) and washer - D15(BB). If outlet box doesn't have thread holes, please use the screws - ST4.8x77 (GG), washer - D5(CC) and washer - D15(BB), Figure 2.

 **NOTE:** Save all screws removed to be added back in a later step.

Side screw (N)  
Bottom screw(M)

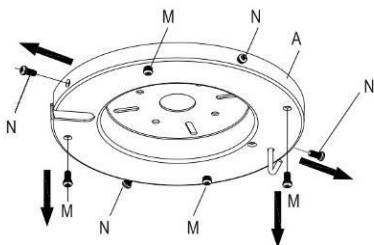


Figure 1

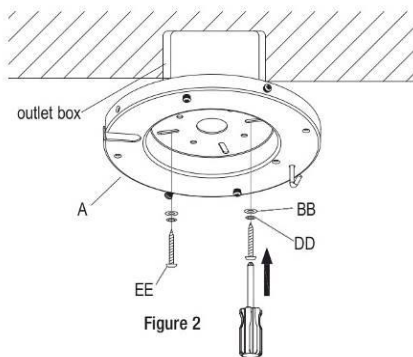


Figure 2

## 2 Hang the fan-motor Assembly

- Carefully lift the fan-motor assembly (B) and hang the fan-motor assembly (B) on the hook of the mounting plate (A) by utilizing the hole edge trim of the fan-motor assembly plate (B) and make sure it is securely suspended, Figure 3.
- Align a Screw-ST4.8x35(FF) through the washers - D5 (CC), washers -D15 (BB) and safety rope (H) and then fix the safety rope(H) through the outlet box on the ceiling, Figure 4.

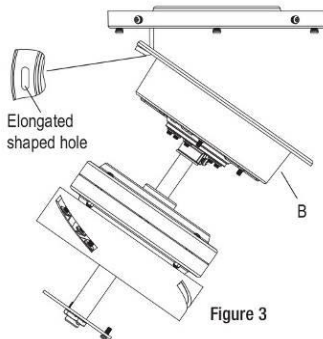


Figure 3

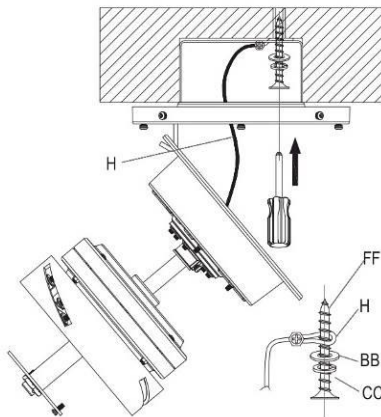
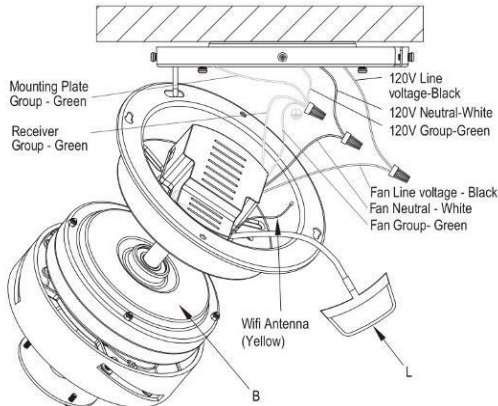


Figure 4

# Assembly - Hanging the Fan (continued)

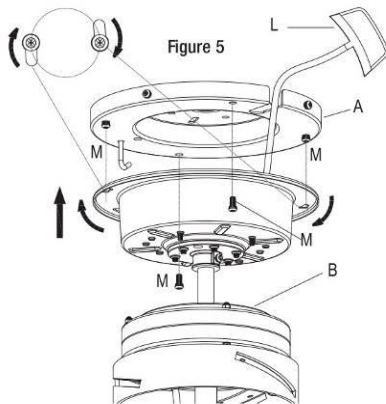
## 3 Connect the wires

- Identify the wiring located inside of fan-motor assembly (B): black – line voltage, white – neutral, green – ground . Connect the Black (L), White (N) and Green (G) wires from the fan-motor assembly (B) to their corresponding wires from the outlet box using Wire Nuts (AA).



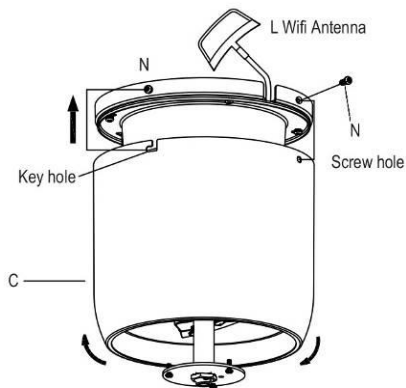
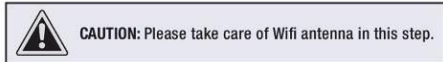
## 4 Install the fan-motor assembly

- Carefully lift the wifi antenna(L) through the gap of mounting plate (A) away from fan-motor assembly(B).
- Locate the two key holes on the edge trim of fan-motor assembly (B).
- Place two key holes on the mounting bottom screws(M) pre-installed on the bottom of mounting plate (A) . Figure 5.
- Rotate the fan-motor assembly(B) clockwise until it is secure.
- Reattach 2pcs of the bottom screws (M) which removed in Step 1 in place.
- Tighten 4pcs bottom screws (M) of mounting plate (A).



## 5 Install the ceiling housing

- Locate the two key holes on the top of ceiling housing (C).
- Place two key holes on the mounting side screws (N) pre-installed on the side of mounting plate (A) .
- Rotate the ceiling housing (C) clockwise until the screw holes in place between ceiling housing (C) and mounting plate (A).
- Reattach 2pcs of the side screws (N) which removed in Step 1 in place.
- Tighten 4pcs side screws (N) of mounting plate (A).

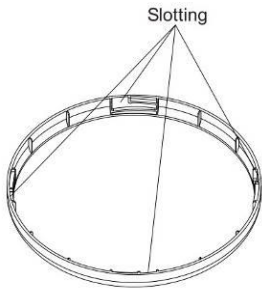
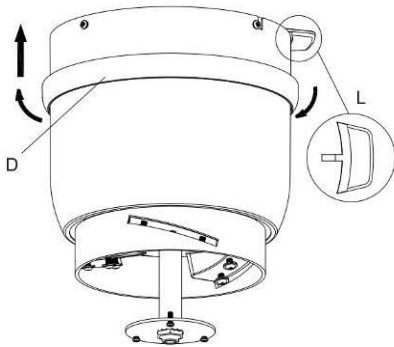




# Assembly - Hanging the Fan (continued)

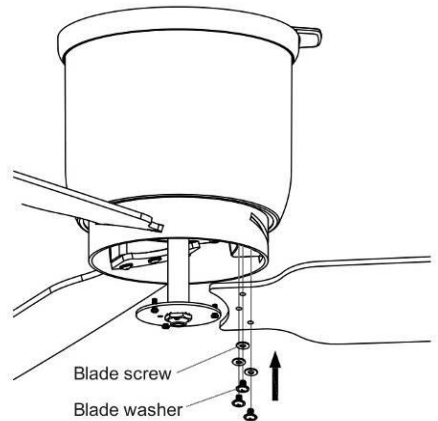
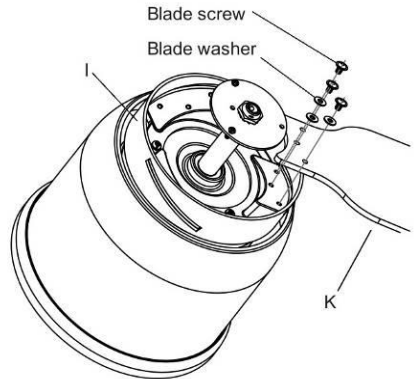
## 6 Install the trim ring

- Locate the slotting inside of trim ring (D).
- Carefully lift the trim ring (D) until the slotting in place through the 4pcs side screws (N) which tightened in Step 5.
- Carefully rotate trim ring (D) clockwise until it is secure.
- Make sure that the wifi antenna (L) is close to the ceiling.



## 7 Install the blades

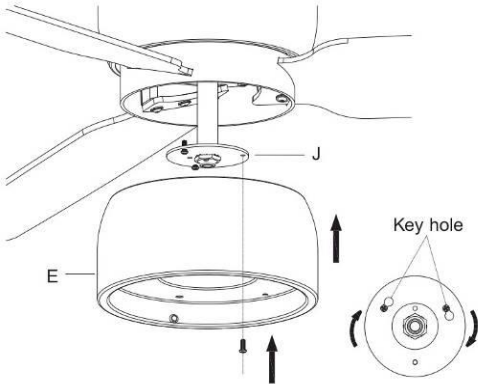
- Remove all blade screws from the rotary plate (I) of fan-motor assembly (B).
- Insert the blades (K) into holes of the rotary plate (I) in place.
- Reattach all blade screws through the blade washers and tighten all screws to make sure the blades (K) is secure.



# Assembly - Hanging the Fan (continued)

## 8 Install the light housing

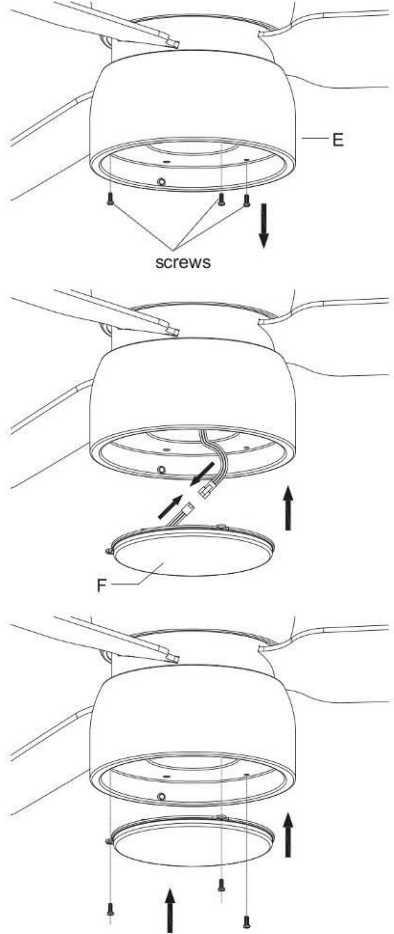
- Remove one screw from the connect plate (J) of fan-motor assembly (B). And loosen other 2pcs screws away from 3/4 length.
- Locate the key hole of light housing (E).
- Place two key holes on the mounting screw loosened on the connect plate (J).
- Reattach 1pc screw through light housing (E) in place to the connect plate (J).
- Tighten 3pcs screws until light housing (E) is secure.



**CAUTION:** To reduce the risk of electric shock, disconnect the electrical circuit to the fan before installing light kit.

## 9 Install the LED module

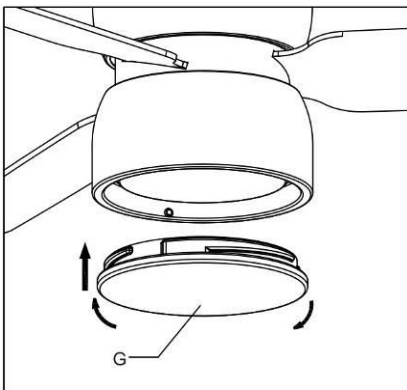
- Remove 3pcs pre-installed screws from inside of the light housing (E).
- Connect the terminal from LED module (F) and fan-motor assembly (B).
- Locate 3pcs screw holes of LED module (F).
- Place three screws holes between LED module (F) and light housing (E).
- Reattach 3pcs screws through the screw holes of LED module (F).
- Tighten the screws until LED module (F) is secure.



## Assembly - Hanging the Fan (continued)

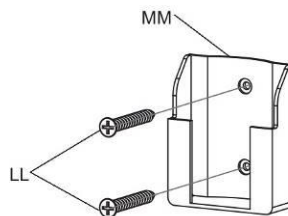
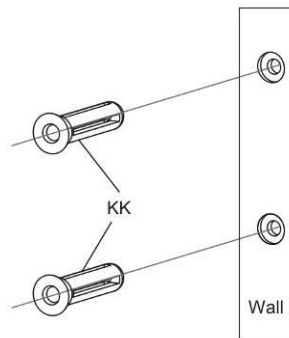
### 10 Install the glass shade

- Rotate the glass shade (G) clockwise until it is secure.



### 11 Install the remote bracket

- Using the remote bracket (MM) as a guide, mark the two holes locations.
- Drill the two holes at the marked locations and install two anchors (KK) in each of the marked locations.
- Insert screw (LL) into anchor and tighten each screw.



# Remote Operation



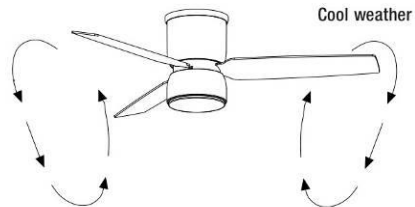
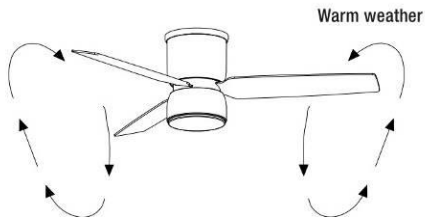
**NOTE:** Wait for the fan to stop before reversing the direction of the blade rotation.

## 433 Remote control







Your fan is equipped with a remote control to operate the speed and lights for your new ceiling fan.

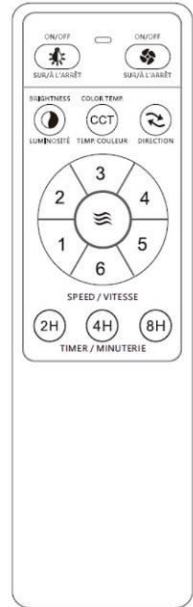
**Warm weather - (Forward)** A downward airflow creates a cooling effect. This allows you to set your air conditioner on a warmer setting without affecting your comfort.


**Cool weather - (Reverse)** An upward airflow moves warm air off of the ceiling. This allows you to set your heating unit on a cooler setting without affecting your comfort.





# Remote Operation

| Icon   | Button Name                               | Action  | Notes   |
|--|---|---|---|
|  | Light ON/OFF                              | Press once to turn the light on<br>Press again to turn the light off  | The brightness and CCT will be the same as your last setting when turned on.  |
|  | Fan ON/OFF                                | Press once to turn the fan on<br>Press again to turn the fan off  |   |
|  | Brightness Change                         | Press and release the button while the light is on to change the brightness by 10% - 50% - 100%, then dim 50% - 10% | If pressed while the light is off; the light will turn on the last setting of brightness and CCT.<br>The factory default is 100%.         |
| <b>CCT</b>   | Correlated Color Temperature (CCT) Change | Press and release while the light is on to change the CCT by 2700K – 3000K – 3500K – 4000K – 5000K – 6500K          | The default CCT is 3000K.   |
|  | Fan Direction                             | Press and release the button while the fan is on to reverse the direction.  |   |
|  | Natural Wind                              | Press and release the button to enter natural wind mode.<br>Press and release the button to exit natural wind mode. | In natural wind mode, the fan speed will vary (increase or decrease) automatically. The fan will not be set on a fixed speed in this mode |
|  | Fan Speed                                 | The fan has 6 speeds: Press and release the button to change the fan speed.   | The default fan speed is level 3.   |
| 2H<br>4H<br>8H   | Timer Buttons                             | Select the desired timer button on the remote. The fan will remain on for this duration.                            | The timer is set for the fan.   |



 **NOTE:** Ceiling fan power on within 30seconds, press and hold the light power button above 5seconds to pair between remote and ceiling fan or cancel the pairing.

 **NOTE:** Press and hold the button above 5second to reset factory default setting, reset status will be closed after 2seconds. Factory default setting: 3000K, 100% brightness, fan forward ,fan speed is level 3.

 **NOTE:** Disconnect the power supply or wall control switch as a way to override intelligent or remote control.

# Smart Setup Operation

## 1 Download the Hubspace™ app from the App Store or the Google Play Store.



For more information on the Hubspace app, visit [hubspace.ca/Hubspace](http://hubspace.ca/Hubspace).

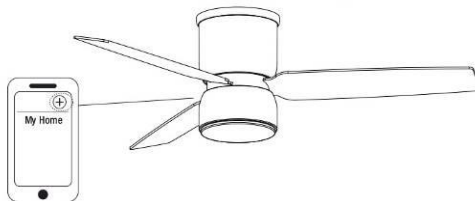
## 2 Create an account to sign in or log in if you already have an account.

## 3 Connect your ceiling fan to power and follow the instructions on the app screen.

### NOTE:

- This Hubspace device requires a 2.4GHz Wi-Fi channel. Hubspace only shows Wi-Fi networks that your device can use.
- If you do not see your Wi-Fi network name when you attempt to connect your devices, please check your router settings or move your product closer to your Wi-Fi router.

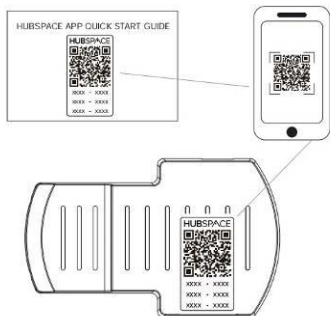
## 4 Tap the '+' button in the upper right corner to add your ceiling fan.



**NOTE:** Bluetooth access is required for device setup.

## 5 Scan the QR Code

- Scan the QR code in the quick start guide or on the ceiling fan. To scan the QR code on the ceiling fan, diffuser needs to be removed. Please follow step 1 in the Installations.



**NOTE:** If the QR code cannot be scanned, you can enter the code manually. Tap Enter Code and follow the instructions.

## 6 Using Your Smart Ceiling Fan

- Turn your smart ceiling fan on or off from the Home page on the Hubspace app.
- To set a schedule or timer, tap the name of the smart ceiling fan on the Home page. You will see options for setting Schedules and Auto-Off Timers.

## 7 Set up your Voice Assistant

- You can connect your smart ceiling fan to Google Home and Alexa from the Hubspace app. Or, you can sign in to Alexa app or Google Home and connect to your Hubspace devices from there.

# Voice Commands

The Ossa 52 in. LED Indoor Smart Color Changing Ceiling Fan works with Alexa and Google Assistant.

This section lists some of the voice commands you can use. To view these and other commands, go to <http://hubspaceconnect.ca>.

## Alexa

| When you want to...           | Ask Alexa to...  |
|-------------------------------|--|
| Turn on the fan only.         | ... turn on <device name> fan power.   |
| Turn off the fan only.        | ... turn off <device name> fan power.  |
| Turn on the light only.       | ... turn on <device name> light power.   |
| Turn off the light only.      | ... turn off <device name> light power.  |
| Change the brightness.        | ... Set <device name> brightness to 100%.<br>... Set <device name> light to 10%.<br>... Make <device name> dimmer.<br>... Make <device name> brighter.<br>... Dim <device name>.<br>... Brighten <device name>.<br>... Dim <group name>.<br>... Brighten <group name>. |
| Change the White Temperature. | ... Change <device name> to Cool White.<br>... Change <device name> to Warm White.<br>... Change <device name> to Daylight White.<br>... Change <device name> to White.  |
| Change the fan speed.         | ... Set <device name> speed to fastest.<br>... Set <device name> speed to fast.<br>... Set <device name> speed to medium.<br>... Set <device name> speed to slow.<br>... Increase <device name> speed.<br>... Decrease <device name> speed.                            |
| Turn on Comfort Breeze.       | ... Turn on Comfort Breeze on <device name>  |

## Google

| When you want to...           | Ask Google to...  |
|-------------------------------|---|
| Turn on the fan only.         | ... turn on <device name> fan power.  |
| Turn off the fan only.        | ... turn off <device name> fan power.   |
| Turn on the light only.       | ... turn on <device name> light power.  |
| Turn off the light only.      | ... turn off <device name> light power.   |
| Change the brightness.        | ... Set <device name> brightness to 75%.<br>... Set <device name> light to 25%.<br>... Brighten <device name>.<br>... Dim <device name>.<br>... Brighten <room name>.<br>... Dim <room name>.   |
| Change the White Temperature. | ... Change <device name> to Ivory.<br>... Change <device name> to Daylight.<br>... Change <device name> to Cool White.<br>... Change <device name> to Warm White.<br>... Change <device name> to Incandescent.                              |
| Change the fan speed.         | ... Set <device name> speed to fastest.<br>... Set <device name> speed to fast.<br>... Set <device name> speed to medium.<br>... Set <device name> speed to slow.<br>... Increase <device name> speed.<br>... Decrease <device name> speed. |
| Turn on Comfort Breeze.       | ... Turn on Comfort Breeze on <device name>   |

# Care and Cleaning



**WARNING:** Make sure the power is off before cleaning your fan.

- Because of the fan's natural movement, some connections may become loose. Check the support connections, brackets, and blade attachments twice a year. Make sure they are secure. It is not necessary to remove the fan from the ceiling.
- Clean your fan periodically to help maintain its new appearance over the years. Do not use water when cleaning, as this could damage the motor, or the wood, or possibly cause an electrical shock. Use only a soft brush or lint-free cloth to avoid scratching the finish. The plating is sealed with a lacquer to minimize discoloration or tarnishing.
- You can apply a light coat of furniture polish to the wood for additional protection and enhanced beauty. Cover small scratches with a light application of shoe polish.
- You do not need to oil your fan. The motor has permanently-lubricated sealed ball bearings.

# Troubleshooting

| Problem  | Solution  |
|--|---|
| The fan will not start.                        | <ol style="list-style-type: none"><li>1. Check to make sure the wall switch is in the on position if applicable.</li><li>2. Check the main and branch circuit fuses or breakers.</li><li>3. Make sure your device is connected to a power source.</li><li>4. Check the battery in the remote control, the transmitter and receiver are matched.</li></ol>   |
| The fan is noisy.                              | <ol style="list-style-type: none"><li>1. Make sure the fan was not damaged prior to installation.</li><li>2. Ensure the screws that attach the fan blade bracket to the motor hub are tight.</li><li>3. Ensure the hanging units are fixed and tight.</li><li>4. Ensure the glass shade is secure.</li><li>5. Ensure the motor assembly does not contain any debris.</li></ol>  |
| The fan wobbles                                | <ol style="list-style-type: none"><li>1. Due to different weight and density of blades, the blades cannot be replaced by other type or it will effect its balance while working.</li><li>2. Ensure the screws that attach the fan blade bracket to the motor hub are tight.</li><li>3. Ensure the hanging units are fixed and tight.</li><li>4. If the above are normal, you can adjust the device according to the guide of balancing kit.</li></ol> |
| Lighting source is not working                 | <ol style="list-style-type: none"><li>1. Check the power connection from the fan to the electrical power supply;</li><li>2. Check if the terminal from the LED module is connected properly.</li><li>3. Check if the LED Module is damaged.</li></ol>   |
| Ceiling fan is uncontrollable by remote device | Make sure no disturbance from same frequency controller, you may rematch the device according to guidance.  |

## The guide of balancing kit

The Balancing Kit should only be used if there is an unacceptable amount of fan wobble after completing all the steps in your Owner's Manual under "Attaching the Fan Blades."

1. Turn the fan on and set the speed control setting to a speed at which the wobble is the greatest.
2. Turn off the fan and allow it to come to a complete stop. Select one blade and place the balance clip on it, halfway between the blade holder and the blade tip on the trailing edge of the blade.
3. Turn the fan on. Note whether the wobble has increased or decreased. Turn the fan off, move the clip to another blade, and retest. Repeat this procedure on all blades noting the blade on which the greatest improvement is achieved.
4. Move the clip back to the blade that showed the greatest improvement. Move the clip inward and outward on this blade and operate the fan to find the position where the clip gives the greatest improvement.
5. Remove the clip and install a balancing weight to the top of the blade along the centerline near the point where the clip was positioned.
6. If the fan wobble problem has not been corrected you may wish to try to improve the balancing further by using the balancing clip and additional weights.



**NOTE:** Make sure the power is off before maintenance



# Troubleshooting

| Problem  | Solution   |
|--|--|
| My Hubspace device is not connecting to Wi-Fi.   | Make sure your device is connected to a power source. Your Internet connection or Wi-Fi network may be down.   |
| My device cannot find any Wi-Fi networks.  | Make sure you have a 2.4GHz capable Wi-Fi network within range of the device you are trying to add.  |
| My device is in a location that does not have Wi-Fi. Can I still use it with the Hubspace app? | Yes. Use the app on a phone with an Internet connection like LTE. The phone must be within Bluetooth range of your Hubspace device and have Bluetooth enabled.   |
| I cannot find the QR code.   | It is on the ceiling fan housing. A copy of the QR code is also included in your device's documentation.   |
| The QR code has become damaged. How do I add the device?                                       | Under the QR code are numbers. You can enter those in manually instead of scanning the code.   |
| I lost my QR code. How do I add a device?  | <ol style="list-style-type: none"><li>1. Make sure the device is connected to power.</li><li>2. In the Hubspace app, tap +, then Add Device.</li><li>3. On the Scan Device screen, tap the Search button in the lower right corner.</li><li>4. Follow the onscreen instructions.</li></ol> |
| The device is on another account. How do I transfer it?  | Scan the QR code and it will transfer to your account.   |
| My device is offline for long periods of time.   | Make sure your Wi-Fi signal strength is sufficient. You may need to move your router, use mesh Wi-Fi, or Wi-Fi extenders.  |
| The device is on and I scanned the QR code, but the app cannot connect to it.                  | Turn off Bluetooth on your phone and turn it back on. Then, scan the QR code. If the problem persists, turn your phone off and on, then try again.   |
| Can I scan the same QR code to add multiple products?  | No. Each product has a unique QR code.   |

## FCC Statement:

Changes or modifications to this unit not expressly approved by the party responsible for compliance could void the user's authority to operate the equipment.

NOTE: This equipment has been tested and found to comply with the limits for a Class B digital device, pursuant to Part 15 of the FCC Rules. These limits are designed to provide reasonable protection against harmful interference in a residential installation. This equipment generates uses and can radiate radio frequency energy and, if not installed and used in accordance with the instructions, may cause harmful interference to radio communications.

However, there is no guarantee that interference will not occur in a particular installation. If this equipment does cause harmful interference to radio or television reception, which can be determined by turning the equipment off and on, the user is encouraged to try to correct the interference by one or more of the following measures:

- Reorient or relocate the receiving antenna.
- Increase the separation between the equipment and receiver.
- Connect the equipment into an outlet on a circuit different from that to which the receiver is connected.
- Consult the dealer or an experienced radio/TV technician for help.

This equipment complies with FCC radiation exposure limits set forth for an uncontrolled environment. This equipment should be installed and operated with a minimum distance of 20cm between the radiator & your body. This transmitter must not be co-located or operating in conjunction with any other antenna or transmitter.

This device complies with part 15 of the FCC Rules. Operation is subject to the following two conditions:

(1) This device may not cause harmful interference, and (2) this device must accept any interference

received, including interference that may cause undesired operation.

**ISED Statement:**

This device contains licence-exempt transmitter(s)/receiver(s) that comply with Innovation, Science and Economic Development Canada's licence-exempt RSS(s). Operation is subject to the following two conditions:

(1) This device may not cause interference.

(2) This device must accept any interference, including interference that may cause undesired operation of the device.

L'émetteur/récepteur exempt de licence contenu dans le présent appareil est conforme aux CNR d'Innovation, Sciences et Développement économique Canada applicables aux appareils radio

exempts de licence. L'exploitation est autorisée aux deux conditions suivantes :

1) L'appareil ne doit pas produire de brouillage;

2) L'appareil doit accepter tout brouillage radioélectrique subi, même si le brouillage est susceptible d'en compromettre le fonctionnement.

This equipment complies with FCC's and IC's RF radiation exposure limits set forth for an uncontrolled environment. The antenna(s) used for this transmitter must be installed and operated to provide a separation distance of at least 20 cm from all persons and must not be collocated or operating in conjunction with any other antenna or transmitter.

Installers must ensure that 20cm separation distance will be maintained between the device (excluding its handset) and users.

Cet appareil est conforme aux limites d'exposition au rayonnement RF stipulées par la FCC et l'IC pour une utilisation dans un environnement non contrôlé. Les antennes utilisées pour cet émetteur doivent être installées et doivent fonctionner à au moins 20

cm de distance des utilisateurs et ne doivent pas être placées près d'autres antennes ou émetteurs ou fonctionner avec ceux-ci. Les installateurs doivent s'assurer qu'une distance de 20 cm sépare l'appareil (à l'exception du combiné) des utilisateurs.

The logo for Home Decorators Collection is centered within a dark gray rectangular background. The word "HOME" is written in a large, white, serif font. Below it, the word "DECORATORS" is written in a smaller, white, serif font. At the bottom of the logo, the word "COLLECTION" is written in an even smaller, white, serif font, followed by a registered trademark symbol (®).

HOME  
DECORATORS  
COLLECTION®

Questions, problems, missing parts? Before returning to the store,  
call Home Decorators Collection Customer Service  
8 a.m. - 7 p.m., EST, Monday-Friday, 9 a.m. - 6 p.m., EST, Saturday

**1-800-986-3460**

**[HOMEDEPOT.COM/HOMEDECORATORS](http://HOMEDEPOT.COM/HOMEDECORATORS)**

Retain this manual for future use.