

NA



## **SMART AIR FRYER**

**Model: LDS-AF1003**

### **INSTRUCTION MANUAL**

Read this manual thoroughly before using and save it for future reference.

#### Specifications & Features:

- Voltage: 120V~/60Hz
- Wattage: 1700 Watts
- Capacity of basket: 6.6 Liters
- Adjustable temperature: 80°C — 200°C
- Timer (0-60 min)

# IMPORTANT SAFEGUARDS

- 1 Read all instructions prior to using the air fryer and its accessories.
- 2 To eliminate a choking hazard for young children, discard all packaging materials immediately upon unpacking.
- 3 This appliance can be used by persons with reduced physical, sensory or mental capabilities or lack of experience and knowledge if they have been given supervision or instruction concerning use of the appliance in a safe way and understand the hazards involved.
- 4 Take inventory of all contents to ensure you have all parts needed to properly and safely operate your air fryer.
- 5 NEVER leave the air fryer unattended while in use.
- 6 NEVER use outlet below counter.
- 7 DO NOT let cord hang over edges of tables or counters or touch hot surfaces, including stoves and other heating air fryers.
- 8 Keep the appliance and its cord out of reach of children.
- 9 DO NOT allow the appliance to be used by children. Close supervision is necessary when used near children.
- 10 DO NOT use an extension cord. A short power-supply cord is used to reduce the risk of children grabbing the cord or becoming entangled and to reduce the risk of people tripping over a longer cord.
- 11 DO NOT place any object directly onto the heating elements and DO NOT cover any part of the air fryer with metal foil. This will cause the air fryer to overheat or cause a fire.
- 12 To protect against electrical shock DO NOT immerse cord, plugs, or main unit housing in water or other liquid.
- 13 DO NOT use the air fryer with damage to the power cord or plug. Regularly inspect the air fryer and power cord. If the air fryer malfunctions or has been damaged in any way, immediately stop use and call Customer Service.
- 14 DO NOT cover the air intake vents or air outlet vents while unit is operating. Doing so will prevent even cooking and may damage the unit or cause it to overheat.
- 15 DO NOT insert anything in the intake and ventilation slots and DO NOT obstruct them.
- 16 DO NOT use accessory and attachments not recommended or sold by the Designated supplier.
- 17 DO NOT place items on top of surface while unit is operating except for authorized recommended accessories.
- 18 Before placing any accessories into the air fryer ensure they are clean and dry.
- 19 Intended for countertop use only. DO NOT place the air fryer near the edge of a countertop. Ensure the surface is level, clean and dry.
- 20 This air fryer is for household use only, DO NOT use outdoors. DO NOT use in moving vehicles or boats.
- 21 DO NOT use this air fryer for anything other than its intended use. Misuse may cause injury.
- 22 DO NOT store any materials, other than supplied accessories, in this air fryer when not in use.
- 23 When using this air fryer, provide adequate space above and on all sides for air circulation.
- 24 A fire may occur if the air fryer is covered or touching flammable material, including curtains, draperies, walls, or the like when in operation. DO NOT place anything on the air fryer during operation.
- 25 DO NOT use the unit without the pot installed. Ensure food residue are removed and the tray is cleaned before each use.
- 26 DO NOT use the air fryer without the Sear Plate, wire rack, or air fry basket installed.
- 27 DO NOT spray any type of aerosol spray or flavoring inside the air fryer while cooking.
- 28 Use caution when inserting and removing anything from the air fryer, especially when hot.

- 29 Voltages can vary, affecting the performance of your product. To prevent possible illness, use an external thermometer to check that your food is cooked to the temperatures recommended. Prevent food contact with heating elements. Excessive food loads may cause personal injury or property damage or affect the safe use of the air fryer.
- 30 DO NOT place any of the following materials in the air fryer: paper, cardboard, plastic, roasting bags and the like.
- 31 Extreme caution should be exercised when using containers constructed of any materials other than metal or glass.
- 32 DO NOT touch hot surfaces. Air fryer surfaces, especially the Sear Plate, are hot during and after operation. To prevent burns or personal injury, Always use protective hot pads or insulated air fryer mitts and use available handles and knobs.
- 33 Spilled food can cause serious burns. Extreme caution must be used when the air fryer contains hot food. Improper use may result in personal injury.
- 34 Please refer to the Cleaning & Maintenance section for regular maintenance of the air fryer.
- 35 Cleaning and user maintenance shall not be made by children.
- 36 Press the power button to turn air fryer off and allow to cool completely before cleaning, moving and flipping for storage.
- 37 Unplug from outlet when not in use. To unplug, grasp the plug by the body and pull from the outlet. Never unplug by grasping and pulling the flexible cord.
- 38 DO NOT clean with metal scouring pads. Pieces can break off the pad and touch electrical parts, causing a risk of electrical shock.
- 39 DO NOT use the air fryer as a source of heat or for drying. on the plug blade. The entire supply cord is not suitable for replacement.
- 40 If damaged, please contact us for service.
- 41 DO NOT place appliance on a stovetop or hot surfaces or near gas or electric burner or in a heated air fryer.
- 42 This appliance has important markings



Indicates to read and review instructions to understand operation and use of product.



Indicates the presence of a hazard that can cause personal injury, death or substantial property damage if the warning included with this symbol is ignored.



Take care to avoid contact with hot surface. Always use hand protection to avoid burns.



For indoor and household use only.

# FCC Warning

Changes or modifications to this unit not expressly approved by the party responsible for compliance could void the user's authority to operate the equipment.

NOTE: This equipment has been tested and found to comply with the limits for a Class B digital device, pursuant to Part 15 of the FCC Rules. These limits are designed to provide reasonable protection against harmful interference in a residential installation. This equipment generates uses and can radiate radio frequency energy and, if not installed and used in accordance with the instructions, may cause harmful interference to radio communications.

However, there is no guarantee that interference will not occur in a particular installation. If this equipment does cause harmful interference to radio or television reception, which can be determined by turning the equipment off and on, the user is encouraged to try to correct the interference by one or more of the following measures:

- Reorient or relocate the receiving antenna.
- Increase the separation between the equipment and receiver.
- Connect the equipment into an outlet on a circuit different from that to which the receiver is connected.
- Consult the dealer or an experienced radio/TV technician for help.

This equipment complies with FCC radiation exposure limits set forth for an uncontrolled environment. This equipment should be installed and operated with a minimum distance of 20cm between the radiator & your body. This transmitter must not be co-located or operating in conjunction with any other antenna or transmitter.

# SAVE THESE INSTRUCTIONS

## Introduction

This air fryer provides an easy and healthy way of preparing your favorite ingredients. By using hot rapid air circulation, it is able to make numerous dishes. The best part is that the air fryer heats food at all directions and most of the ingredients do not need any oil.

## General description (Fig.1)

1. Housing
2. Power-on light
3. Touch control panel
4. Pan
5. Basket
6. Basket release button
7. Basket handle
8. Air outlet openings
9. Power cord

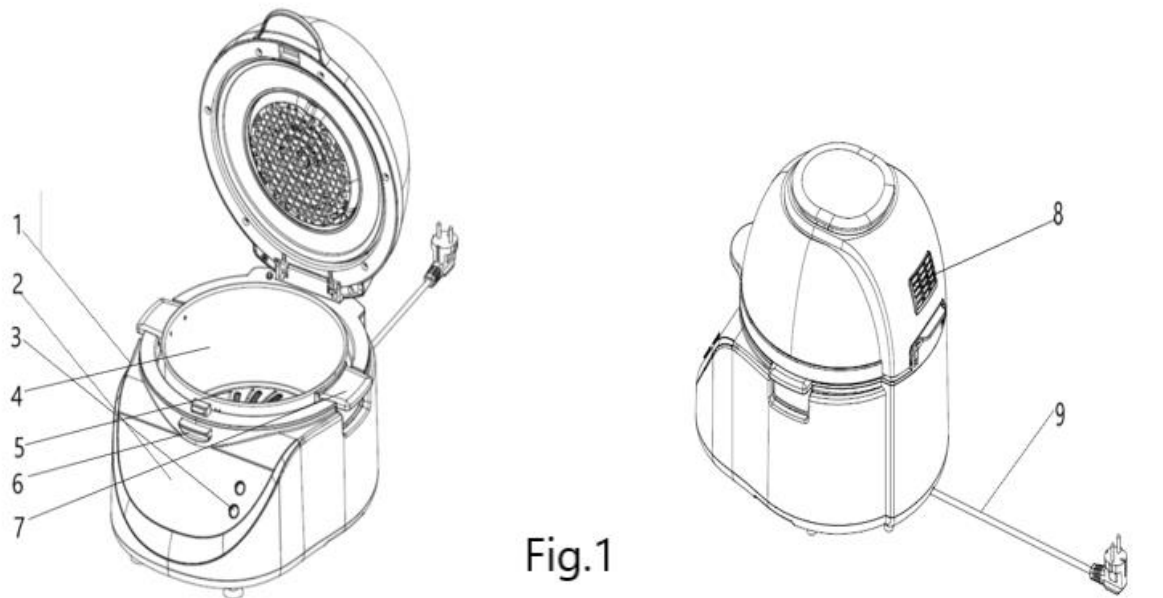




Fig. 2

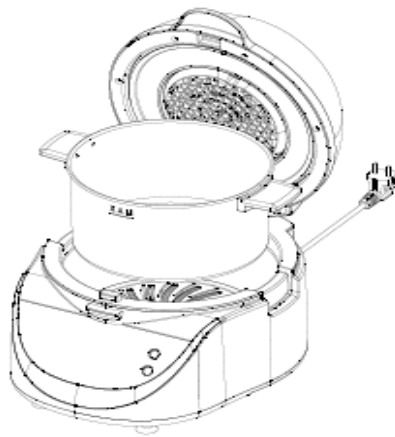


Fig. 3

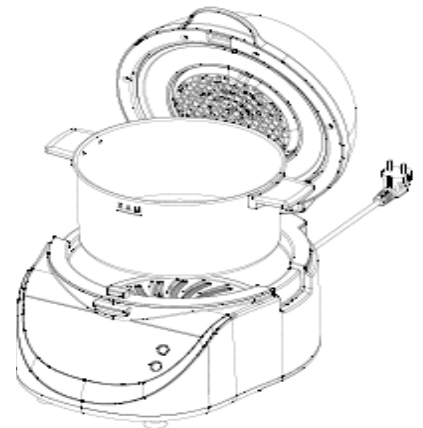


Fig. 4



Fig. 5

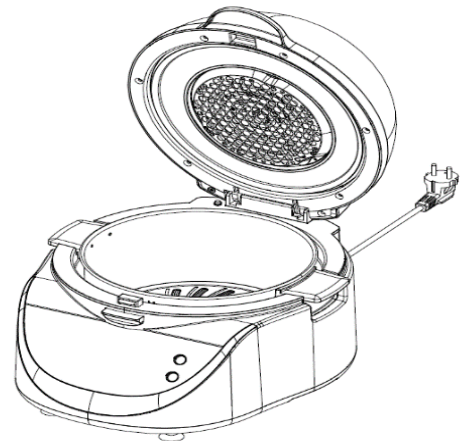


Fig. 6

## **Important**

Please read this manual carefully before you use the appliance and save it for future reference.

## **Danger**

-This appliance can be used by children aged from 8 years and above, and persons with reduced physical, sensory or mental capabilities or lack of experience and knowledge if they have been given supervision or instruction concerning, use of the appliance in a safe way and understand the hazards involved. Children shall not play with the appliance. Cleaning and user maintenance shall not be made by children unless they are older than 8 and supervised. -

Keep the appliance and its cord out of reach of children less than 8 years.

-Never immerse the housing, which contains electrical components and the heating elements, in water nor rinse it under the tap.

-Do not let any water or other liquid enter the appliance to prevent electric shock.

-Always put the ingredients to be fried in the basket, to prevent it from coming into contact with the heating elements.

-Do not cover the air inlet and the air outlet openings while the appliance is operating.

-Do not fill the pan with oil as this may cause a fire hazard.

-Never touch the inside of the appliance while it is operating.

The temperature of accessible surfaces may be high when the appliance is operating

## **Warning**

-Check if the voltage indicated on the appliance fits the local mains voltage.

-Do not use the appliance if there is any damage on plug, mains cord or other parts.

-Do not go to any unauthorized person to replace or fix damaged main cord.

-Keep the mains cord away from hot surfaces.

-Do not plug in the appliance or operate the control panel with wet hands.

-Do not place the appliance against a wall or against other appliances. Leave at least 10cm free space on the back and sides and 10cm free space above the appliance.

Do not place anything on top of the appliance.

-Do not use the appliance for any other purpose than described in this manual.

-Do not let the appliance operate unattended.

-During air frying, hot steam is released through the air outlet openings, keep your hands and face at a safe distance from the steam and from the air outlet openings.

Also be careful of hot steam and air when you remove the pan from the appliance.

-Any accessible surfaces may become hot during use (Fig.2)

-Immediately unplug the appliance if you see dark smoke coming out of the appliance. Wait for the smoke emission to stop before you remove the tray from the appliance.

## Caution

- Ensure the appliance is placed on a horizontal, even and stable surface.
- This appliance is designed for household use only. It may not be suitable to be safely used in environments such as staff kitchens, farms, motels, and other non-residential environments. Nor is it intended to be used by clients in hotels, motels, bed and breakfasts and other residential environments.
- If the appliance is used improperly or for professional or semi-professional purposes or if it is not used according to the instructions in the user manual, the guarantee becomes invalid and we could refuse any liability for damage caused.
- Always unplug the appliance while not using.
- The appliance needs approximately 30 minutes to cool down for handling or cleaning safely.

## Before first use

1. Remove all packaging materials.
2. Remove any stickers or labels from the appliance.
3. Thoroughly clean the basket and pan with hot water, some washing-up liquid and a non-abrasive sponge.

Note: You can also clean these parts in the dishwasher.

4. Wipe inside and outside of the appliance with a moist cloth.

This is an oil-free fryer that works on hot air. Do not fill the pan with oil or frying fat.

## Preparing for use

1. Place the appliance on a stable, horizontal and even surface.
2. Place the basket in the pan (Fig.3).
3. Pull the cord from the storage compartment which is located on the bottom of the appliance. Do not fill the pan with oil or any other liquid.  
Do not put anything on top of the appliance, the airflow will be disrupted and affects the air frying result.

## Using the appliance

### Air frying

1. Connect the mains plug into an earthed wall socket.
2. Carefully pull the pan out of the Air fryer (Fig.4)
3. Put the ingredients in the basket. (Fig.5)
4. Slide the pan back into the Air fryer (Fig 6)

Noting to carefully align with the guides in the body of the fryer. **Never use the pan without the basket in it.**

**Caution: Do not touch the pan during and sometime after use, as it gets very hot. Only hold the pan by the handle.**

5. Determine the required preparation time for the ingredient (see section "Settings" in this



chapter).

6. Some ingredients require shaking halfway through the preparation time. To shake the ingredients, pull the pan out of the appliance by the handle and shake it. Then slide the pan back into the Air fryer.

**Caution: Do not press the button of the handle during shaking. (Fig.3)**

*Tip: To reduce the weight, you can remove the basket from the pan and shake the basket only. To do so, pull the pan out of the appliance, place it on a heat-resistant surface and press the button of handle, and lift the basket out of the pan*

*Tip: If you set the timer to half the preparation time, you hear the timer bell when you have to shake the ingredients. However, this means that you have to set the timer again to the remaining preparation time after shaking.*

When you hear the timer bell, the set preparation time has elapsed. Pull the pan out of the appliance and place it on a trial framework.

Note: You can also switch off the appliance manually. To do this. Press the "power on/off" key.

7. Check if the ingredients are ready.

If the ingredients are not ready yet, simply slide the pan back into the appliance and set the timer to a few extra minutes.

To remove ingredients (e.g. fries), pull the pan out of the Air fryer and place it on a trial framework, and press the basket release button and lift the basket out of the pan.

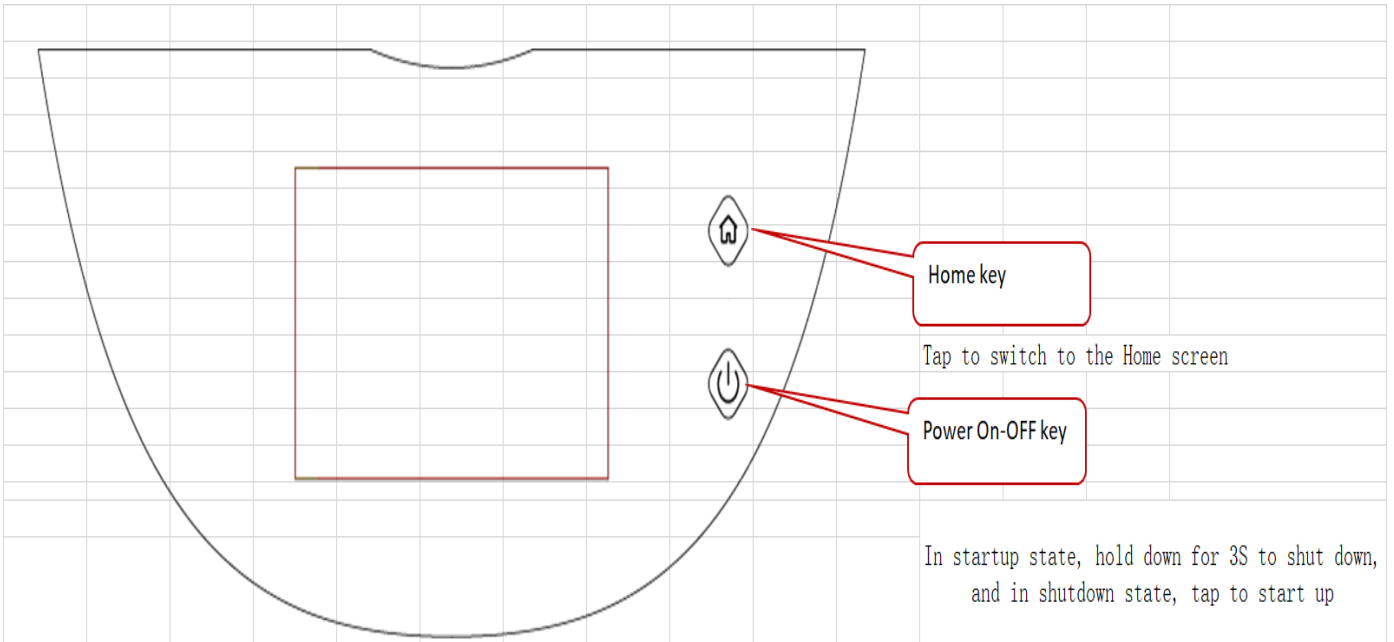
**Do not turn the basket upside down with the pan still attached to it, as any excess oil that has collected on the bottom of the pan will leak onto the ingredients.**

**The pan and the ingredients are hot and hot fryer. Depending on the type of the ingredients in the fryer, steam may escape from the pan.** Empty the basket into a bowl or onto a plate.

*Tip: To remove large or fragile ingredients, lift the ingredients out of the basket by a pair of tongs*

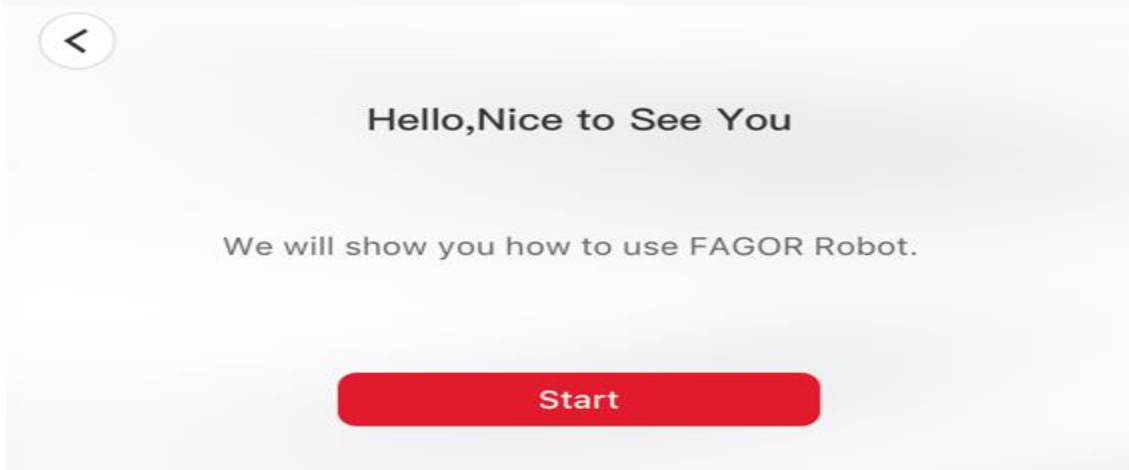
When a batch of ingredients is ready, the Air fryer is instantly ready for preparing another batch.

**Control panel instructions:**

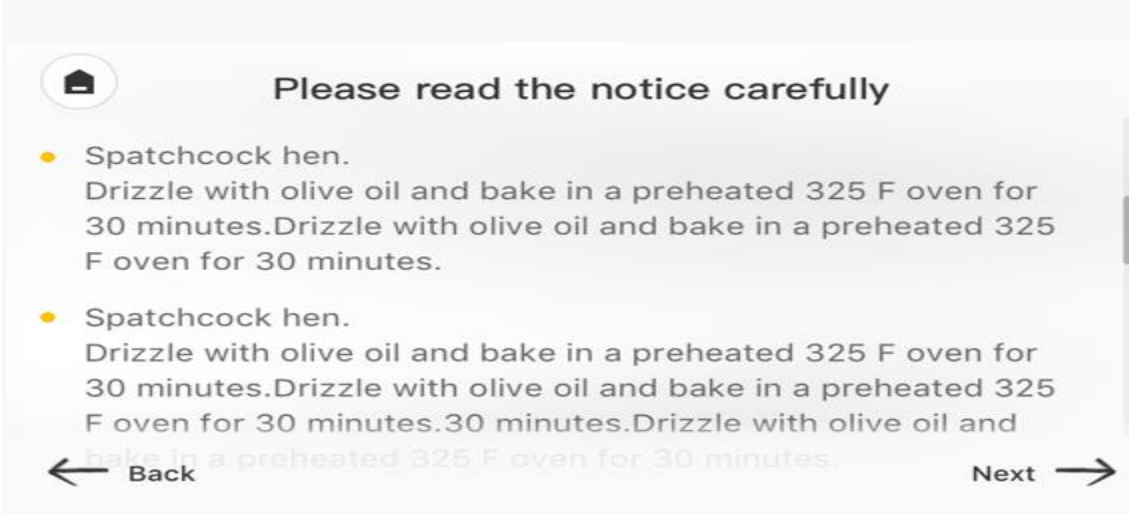


## Operation instructions:

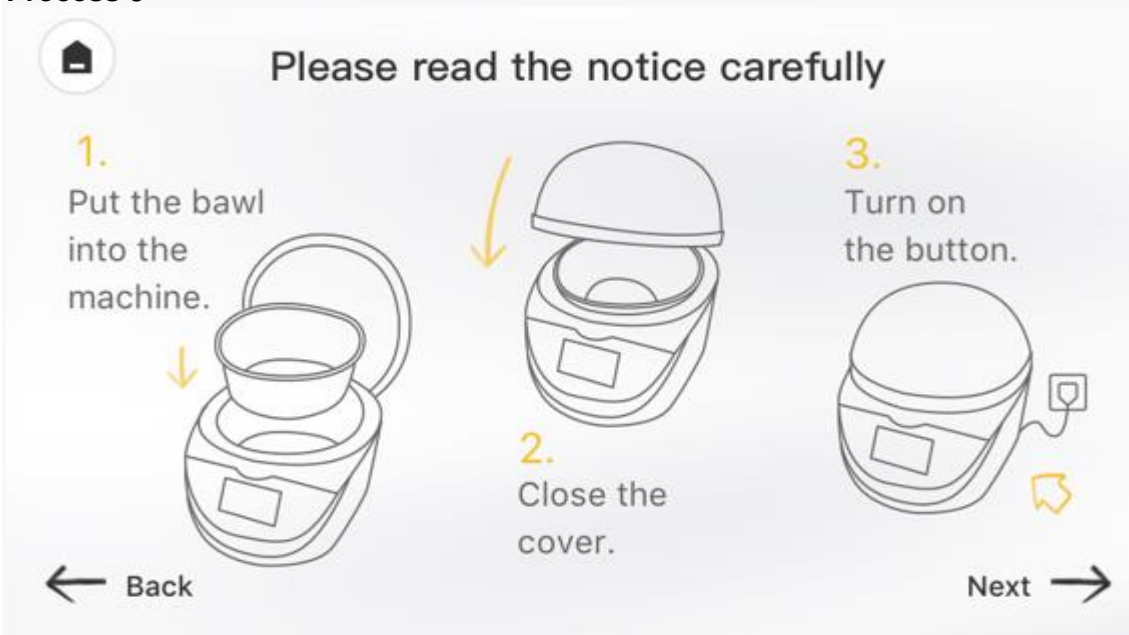
### Process 1



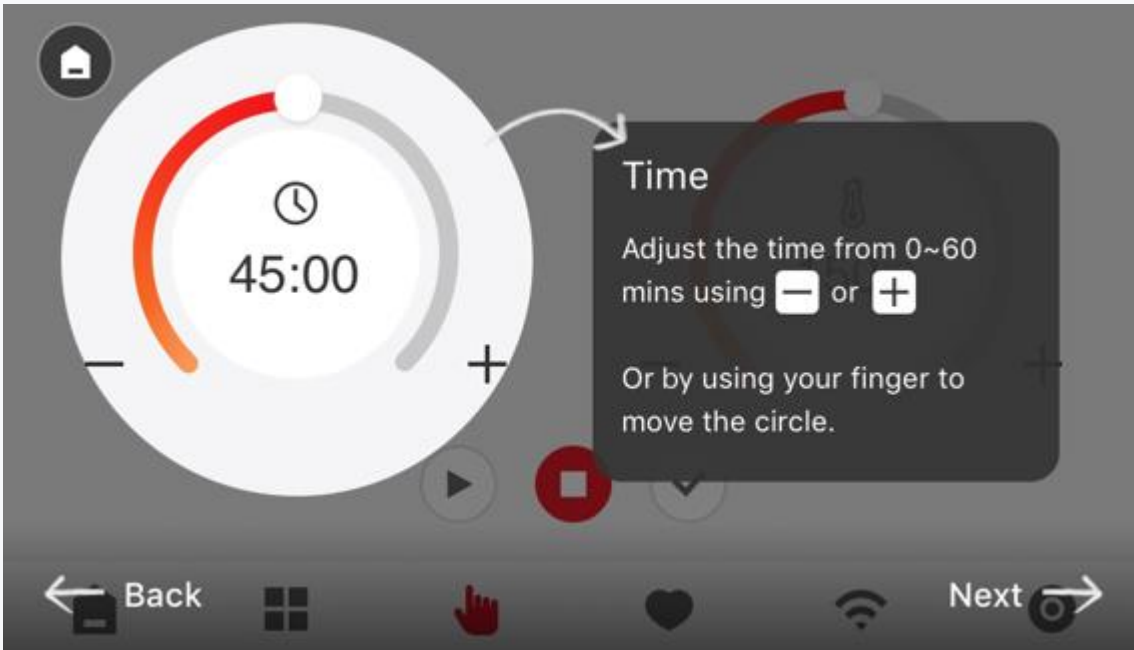
### Process 2



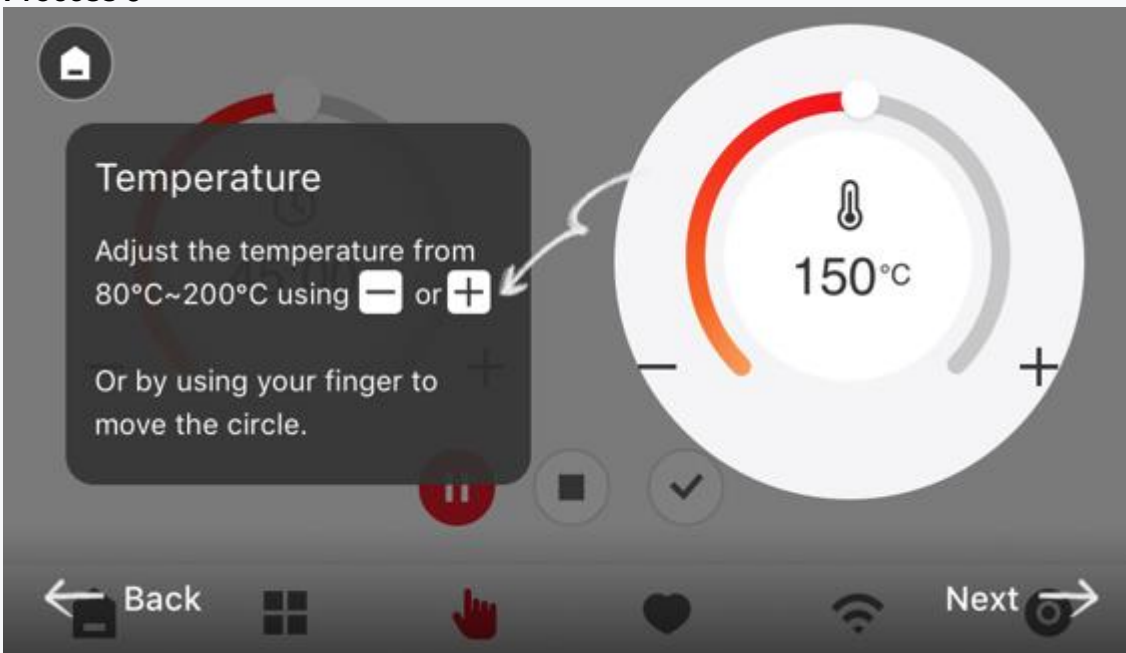
### Process 3



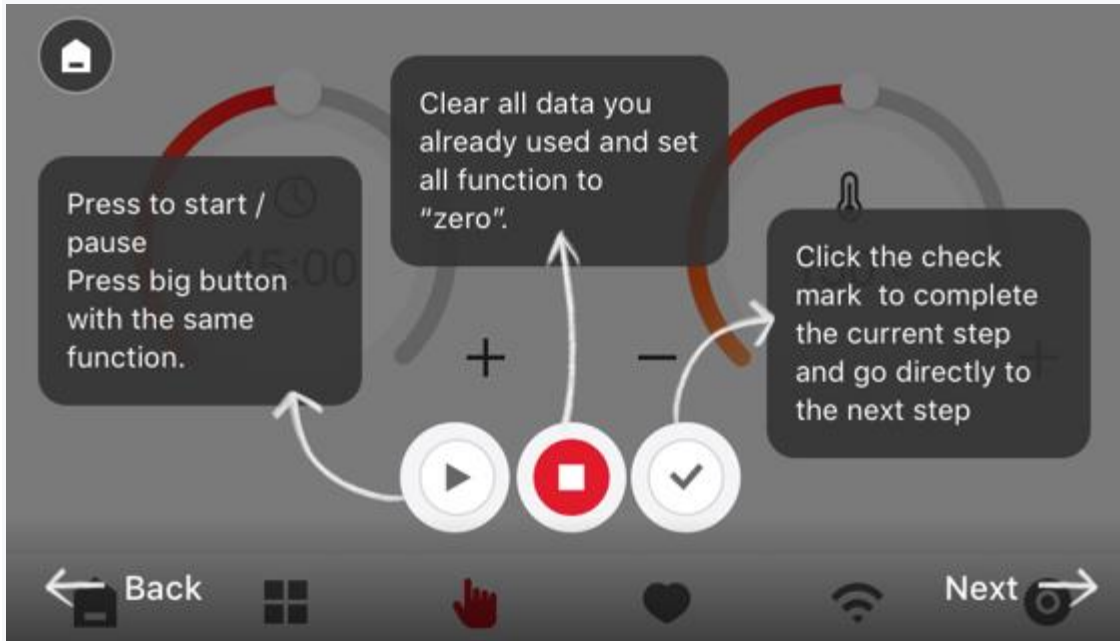
#### Process 4



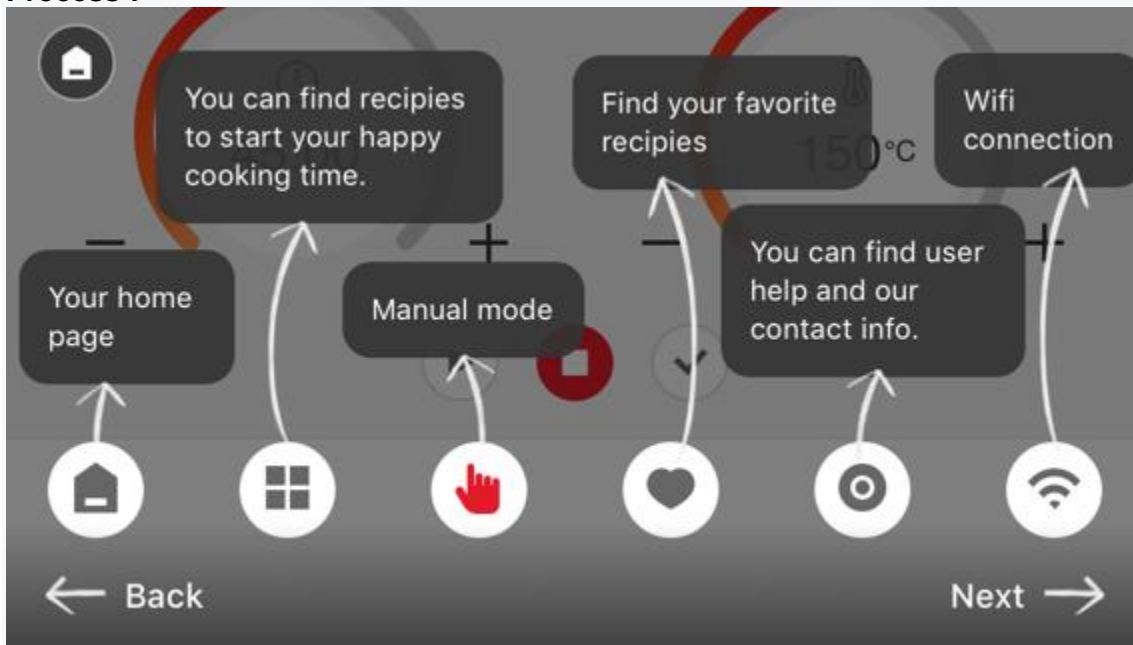
#### Process 5



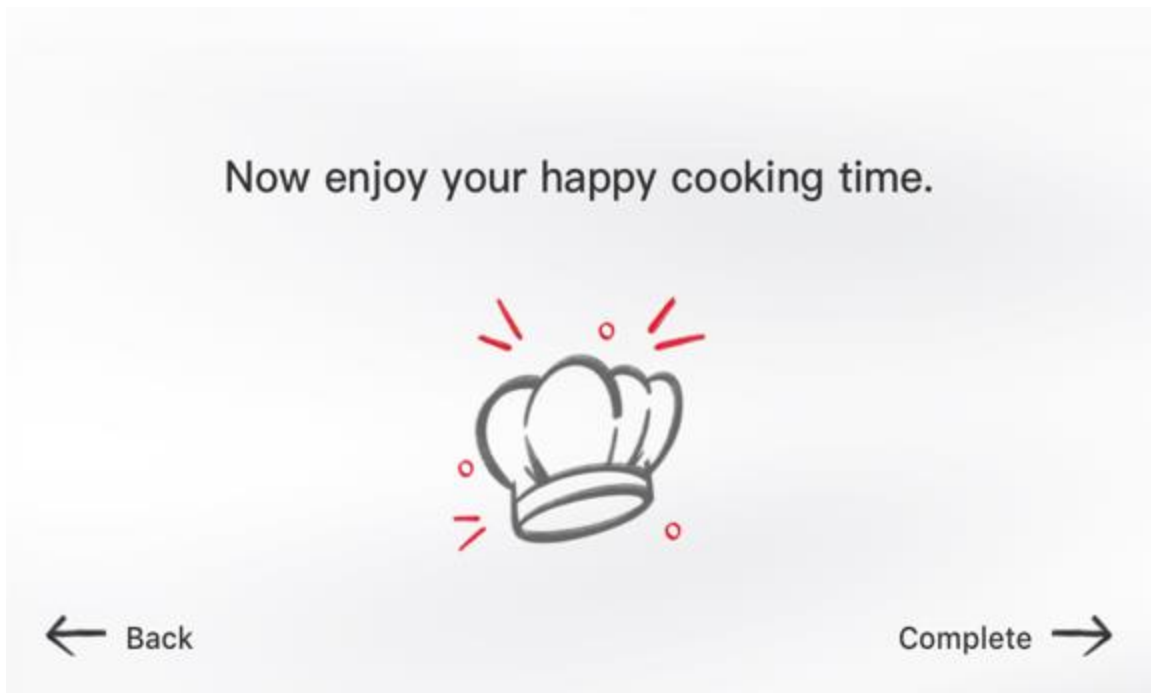
### Process 6



### Process 7



## Process 8



### Cleaning

Clean the appliance after every use

**The pan and the non-stick coating basket. Do not use metal kitchen utensils or abrasive cleaning materials to clean them, as this may damage the non-stick coating.**

1 Remove the mains plug from the wall socket and let the appliance cool down.

Note: Remove the pan to let the Air fryer cool down more quickly.

2 Wipe the outside of the appliance with a moist cloth.

3 Clean the pan, separator and basket with hot water, some washing-up liquid and a non-abrasive sponge.

You can use degreasing liquid to remove any remaining dirt.

Note: The pan and basket are dishwasher-proof.

*Tip: If dirt is stuck to the basket or the bottom of the pan, fill the pan with hot water with some washing-up liquid. Put the basket in the pan and let the pan and the basket soak for approximately 10 minutes.*

4 Clean the inside of the appliance with hot water and non-abrasive sponge.

5 Clean the heating element with a cleaning brush to remove any food residues.

### Storage

1. Unplug the appliance and let it cool down.

2. Make sure all parts are clean and dry.

### Environment

Do not throw away the appliance with the normal household waste when it is exhausted, but hand it to an official collection point for recycling. By doing this, you help to preserve the environment

### Guarantee and service

If you need service or information or if you have a problem, please contact your local authorized service centre.

### Trouble shooting

Problem	Possible cause	Solution
The Air fryer does not work	The appliance is not plugged in.	Put the mains plug in an earthed wall socket.
	You have not set the timer.	Set the time to the required preparation time to switch on the appliance.
The ingredients fried with the air fryer are not done.	The amount of ingredients in the basket is too big.	Put smaller batches of ingredients in the basket. Smaller batches are fried more evenly
	The set temperature is too low.	Set the temperature to the required temperature setting (see section "settings' in chapter "Using the appliance')
	The preparation time is too short.	Set the time to the required preparation time (see section
The ingredients are fried unevenly in the air fryer.	Certain types of ingredients need to be shaken halfway through the preparation time.	Ingredients that lie on top of or across each other (e.g. fries) need to be shaken halfway through the preparation time.
Fried snacks are not crispy when they come out of the air fryer.	You used a type of snacks meant to be prepared in a traditional deep fryer.	Use oven snacks or lightly brush some oil onto the snacks for a crispier result.
1 cannot slide the pan into the appliance properly.	There are too much ingredients in the basket.	Do not fill the basket beyond the MAX indication.
	The basket is not placed in the pan correctly.	Push the basket down into the pan until you hear a click.
White smoke comes out of the appliance.	You are preparing greasy ingredients.	When you fry greasy ingredients in the air fryer, a large amount of oil will leak into the pan. The oil produces white
	The pan still contains grease residues from previous use.	White smoke is caused by grease heating up in the pan.

Fresh fries are fried unevenly in the air fryer.	You did not use the right potato type.	Use fresh potatoes and make sure they stay firm during frying.
	You did not rinse the potato sticks properly before you fried them.	Rinse the potato sticks properly to remove starch from the outside of the sticks.
Fresh fries are not crispy when they come out of the air fryer.	The crispiness of the fries depends on the amount of oil and water in the fries.	Make sure you dry the potato sticks properly before you add
		Cut the potato sticks smaller for
		Add slightly more oil for a crispier result.

## REMOVAL OF APPLIANCES USED

Old appliances must be collected separately in order to optimize the recovery and recycling of materials they contain and reduce the impact on human health and the environment

The symbol of the dustbin is used on all products to remind the obligations for separate collection. Consumers should contact their local authorities or dealer regarding the steps to follow for the removal of their old appliance. If you proceed with the scrapping of old equipment, be sure to render useless what could be dangerous: disconnect the power cable flush with the device.

### **Danger:**

Never attempt to use your appliance, if it shows signs of damage or the power cord or plug is damaged. If the power cord is defective it is important to have it replaced with the after sales service to eliminate any danger.

Only qualified and authorized persons are authorized to carry out repairs to your appliance. Any repairs not in accordance with standards could significantly increase the level of risk for the user! Defect resulting from improper handling, degradation or attempted repairs by third parties voids the warranty on the product. This also applies in case of normal wear and accessories from the appliance.

### **Important!**

We recommend that you keep the packaging of your device at least for the duration of the warranty. The guarantee does not apply without the original packaging.

### **Warranty:**

Your device has one years warranty. The warranty does not cover wear and breakage following a wrong use of the product. The customer is responsible for all returns. You remain responsible for the costs and risks associated with the product shipment; it is therefore recommended to ship the product with an acknowledgement of receipt and transport insurance in case of significant value of the product.

## KEEP OUT OF REACH OF CHILDREN

Children should be supervised to ensure that they do not play with the appliance.

## Service E-mail





CA



# SMART AIR FRYER INSTRUCTION MANUAL

**Model : LDS-AF1003**

Read this manual thoroughly before using and save it for future reference.

## Specifications & Features:

- Voltage: 120V~/60Hz
- Wattage: 1700 Watts
- Capacity of basket: 6.6 Liters
- Adjustable temperature: 80°C — 200°C
- Timer (0-60 min)

# Garanties Importantes

- 1 lire toutes les instructions avant d'utiliser la friteuse à air et ses accessoires.
- 2 pour éliminer un risque d'étouffement pour les jeunes enfants, jeter tous les matériaux d'emballage immédiatement après le déblocage.
- 3 cet appareil peut être utilisé par des personnes dont les capacités physiques, sensorielles ou mentales sont réduites, ou qui manquent d'expérience et de connaissances, si elles ont reçu une supervision ou des instructions concernant son utilisation en toute sécurité et si elles en comprennent les risques.
- 4 faites l'inventaire de tout le contenu pour vous assurer d'avoir toutes les pièces nécessaires pour faire fonctionner correctement et en toute sécurité votre friteuse.
- 5 ne jamais laisser la friteuse sans surveillance pendant son utilisation.
- 6 n'utilisez jamais la sortie sous le comptoir.
- 7 ne pas laisser le cordon accrocher sur les bords des tables, des comptoirs ou toucher des surfaces chaudes, y compris les réchauds et autres friteuses à air chaud.
- 8 tenir l'appareil et son cordon hors de la portée des enfants.
- 9 ne permettent pas que l'appareil soit utilisé par des enfants. Une surveillance étroite est nécessaire lorsqu'elle est utilisée près des enfants.
- 10 ne pas utiliser de rallonge. Un cordon d'alimentation court est utilisé pour réduire le risque que les enfants attrapent le cordon ou s'enchevêtrent et pour réduire le risque que les personnes trébuchent sur un cordon plus long.
- 11 ne pose aucun objet directement sur les éléments chauffants et ne recouvre aucune partie de la friteuse à air d'une feuille métallique. Cela provoquera une surchauffe de la friteuse ou un incendie.
- 12 pour se protéger contre les chocs électriques ne pas plonger le cordon, les bouchons ou le boîtier principal dans l'eau ou tout autre liquide.
- 13 ne pas utiliser la friteuse à air endommagée par le cordon d'alimentation ou la prise. Inspectez régulièrement la friteuse et le cordon d'alimentation. Si la friteuse fonctionne mal ou a été endommagée de quelque manière que ce soit, arrêtez immédiatement l'utilisation et appelez le Service client.
- 14 ne couvrent pas les ouïes d'entrée d'air ou les ouïes de sortie d'air lorsque l'unité fonctionne. Cela évite même la cuisson et peut endommager l'unité ou la surchauffer.
- 15 n'introduisez rien dans les fentes d'admission et de ventilation et ne les gênez pas.
- 16 ne pas utiliser d'accessoires et d'accessoires non recommandés ou vendus par le fournisseur

désigné.

17 ne pas placer les objets sur la surface pendant le fonctionnement du dispositif, sauf pour les accessoires recommandés autorisés.

18 Avant de placer les accessoires dans la friteuse à air, assurez-vous qu'ils sont propres et secs.

19 destinés uniquement à l'usage du comptoir. Ne placez pas la friteuse à air près du bord d'un comptoir. Assurez-vous que la surface est plate, propre et sèche.

20 cette friteuse à air est réservée aux ménages, ne pas utiliser à l'extérieur. Ne pas utiliser dans les véhicules ou les bateaux en mouvement.

21 ne pas utiliser cette friteuse à air pour autre chose que l'usage auquel elle est destinée. Un mauvais usage peut causer un préjudice.

22 n'entreposez aucune matière autre que les accessoires fournis dans cette friteuse à air lorsqu'elle n'est pas utilisée.

Lors de l'utilisation de cette friteuse à air, prévoir un espace suffisant au-dessus et sur tous les côtés pour la circulation de l'air.

24 un incendie peut se produire si la friteuse à air est recouverte ou touche des matériaux inflammables, y compris les rideaux, les murs, etc. Ne mettez rien sur la friteuse pendant l'opération.

25 ne pas utiliser l'unité sans le pot installé. Assurez-vous que les résidus alimentaires sont enlevés et que le plateau est nettoyé avant chaque utilisation.

26 ne pas utiliser la friteuse à air sans la plaque Sear, le porte-fil ou le panier à air Fry installés.

27 ne pas vaporiser d'aérosol ou d'arôme à l'intérieur de la friteuse à air pendant la cuisson.

La prudence est de mise lorsqu'on insère et qu'on enlève quoi que ce soit de la friteuse à air, surtout lorsqu'elle est chaude.

29 tensions peuvent varier, affectant les performances de votre produit. Pour éviter toute maladie, utilisez un thermomètre externe pour vérifier que votre nourriture est cuite aux températures recommandées. Éviter le contact des aliments avec les éléments chauffants. Une charge Excessive d'aliments peut causer des dommages corporels ou matériels ou nuire à l'utilisation sécuritaire de la friteuse à air.

Les matériaux suivants ne doivent pas être placés dans la friteuse à air: papier, carton, plastique, sacs à rôti, etc.

L'utilisation de récipients constitués de matières autres que le métal ou le verre doit être effectuée avec une extrême prudence.

32 ne pas toucher les surfaces chaudes. Les friteuses à Air, en particulier la plaque Sear, sont chaudes pendant et après l'opération. Pour éviter les brûlures ou les blessures, utilisez toujours

des protections ou des gants de friteuse isolants et utilisez les poignées et poignées disponibles.  
33 peuvent causer de graves brûlures. Une extrême prudence doit être utilisée lorsque la friteuse à air contient des aliments chauds. Un usage inapproprié peut entraîner des dommages corporels.  
34 veuillez vous référer à la section nettoyage et entretien pour l'entretien régulier de la friteuse à air.

35 le nettoyage et l'entretien des usagers ne doivent pas être effectués par des enfants.

36 appuyez sur le bouton d'alimentation pour éteindre la friteuse à air et laisser refroidir complètement avant le nettoyage, le déplacement et le basculement pour le stockage.

37 débrancher à la sortie lorsqu'ils ne sont pas utilisés. Pour débrancher, saisir la prise par le corps et tirer de la prise. Ne jamais débrancher en tirant sur le flexible.

38 ne pas nettoyer avec des tampons à récurer. Les pièces peuvent casser le tampon et toucher les pièces électriques, provoquant un risque de choc électrique.

39 ne pas utiliser la friteuse à air comme source de chaleur ou de séchage. Sur la lame de bouchon. La totalité du cordon d'alimentation ne peut être remplacée.

S'il est endommagé, contactez-nous.

41 ne pas placer l'appareil sur un magasin ou sur des surfaces chaudes ou près d'un brûleur à gaz ou électrique ou dans une friteuse à air chaud.

42 cet appareil a des marquages importants



Indique lire et revoir les instructions pour comprendre le fonctionnement et l'utilisation du produit.



Indique la présence d'un danger qui peut causer des blessures, la mort ou des dommages matériels importants si l'avertissement inclus avec ce symbole est ignoré.



Évitez tout contact avec la surface chaude. Toujours utiliser la protection des mains pour éviter les brûlures.



Pour usage intérieur et domestique uniquement.

## IC warning

This device contains licence-exempt transmitter(s)/receiver(s) that comply with Innovation, Science and Economic Development Canada's licence-exempt RSS(s). Operation is subject to the following two conditions:

- (1) This device may not cause interference.
- (2) This device must accept any interference, including interference that may cause undesired operation of the device.

L'émetteur/récepteur exempt de licence contenu dans le présent appareil est conforme aux CNR d'Innovation, Sciences et Développement économique Canada applicables aux appareils radio exempts de licence. L'exploitation est autorisée aux deux conditions suivantes :

- 1) L'appareil ne doit pas produire de brouillage;
- 2) L'appareil doit accepter tout brouillage radio électrique subi, même si le brouillage est susceptible d'en compromettre le fonctionnement.

This equipment complies with FCC's and IC's RF radiation exposure limits set forth for an uncontrolled environment. The antenna(s) used for this transmitter must be installed and operated to provide a separation distance of at least 20 cm from all persons and must not be collocated or operating in conjunction with any other antenna or transmitter.

Installers must ensure that 20cm separation distance will be maintained between the device (excluding its handset) and users.

Cet appareil est conforme aux limites d'exposition au rayonnement RF stipulées par la FCC et l'IC pour une utilisation dans un environnement non contrôlé. Les antennes utilisées pour cet émetteur doivent être installées et doivent fonctionner à au moins 20 cm de distance des utilisateurs et ne doivent pas être placées près d'autres antennes ou émetteurs ou fonctionner avec ceux-ci. Les installateurs doivent s'assurer qu'une distance de 20 cm sépare l'appareil (à l'exception du combiné) des utilisateurs.