

Regulatory Label and Location

Model : ACF03a1700-W

FCC ID: 2AB2Q-ACF03

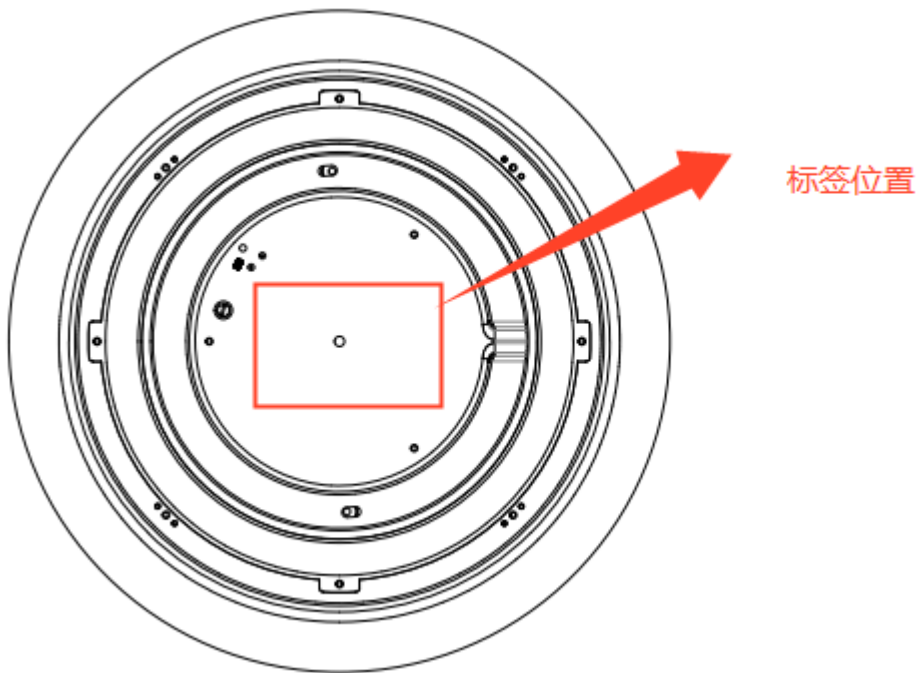
IC: 10256A-ACF03

Contains FCC ID: 2AB2Q-LA02301

Contains IC: 10256A-LA02301

This device complies with part 15 of the FCC Rules. Operation is subject to the following two conditions: (1) This device may not cause harmful interference, and (2) this device must accept any interference received, including interference that may cause undesired operation.

CAN ICES-005(B)/NMB-005(B)



The label was carved into the product with radium.