

LEEDARSON LIGHTING CO., LTD.

August 17, 2023

Federal Communications Commission
Equipment Authorization Division
7435 Oakland Mills Road
Columbia, MD 21046
USA

Attn: OET Dept.

Ref: FCC Class II Permissive change for FCC ID: [2AB2Q-A800SG-G1T](#)
Applicant: [LEEDARSON LIGHTING CO., LTD.](#)

Dear Examiner,

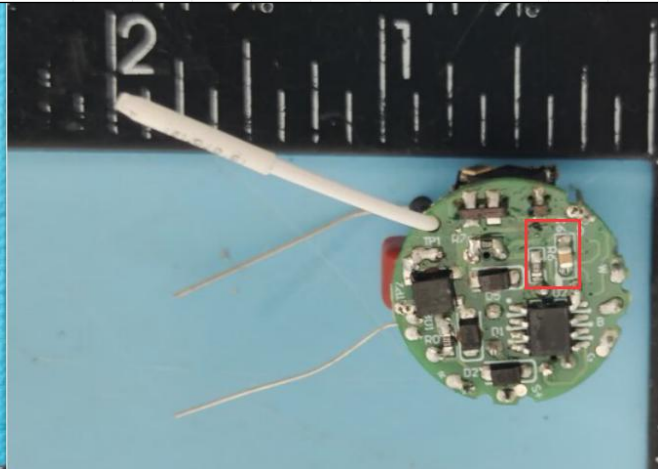
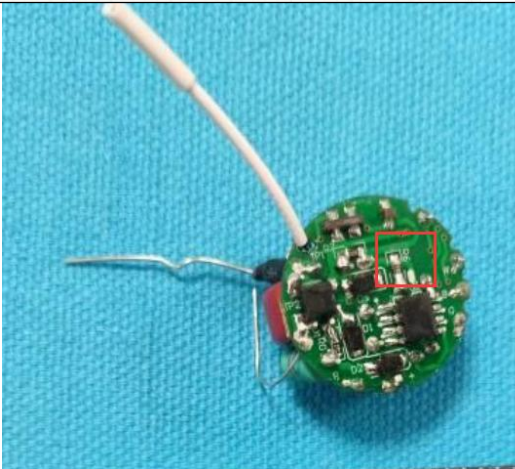
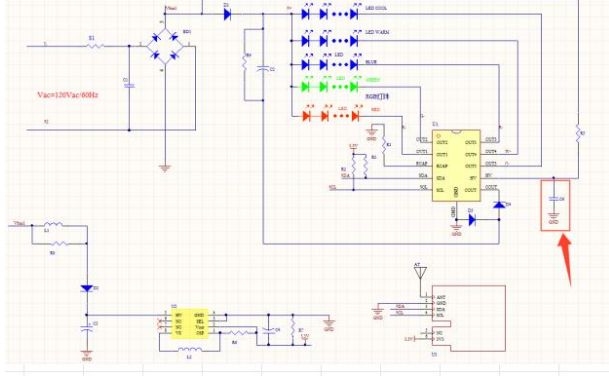
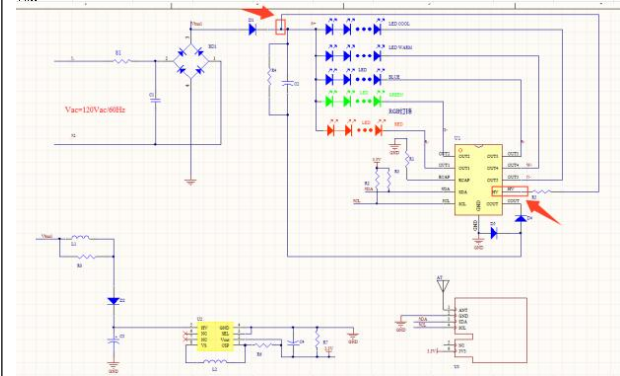
This is to request a Class II Permissive change for FCC ID: [2AB2Q-A800SG-G1T](#) originally granted on [07-05-2023](#) (date).

The change under this application is to

- 1: The power intake point of the power supply pin HV of U1 has been changed from the negative pole of D1 to the positive pole of D1, and a capacitance of C6 (0805_22nF_250V) has been added between HV and GND
 - 2: Film capacitor C1 has been changed from 10nF/400V to 47nF/400V, and color code L1 has been changed from 4 * 10_ 3mH changed to 5 * 10_ 4.7mH
 - 3: Resistance protection from 20 Ω _ Change 1/2WS to 30 Ω _ 1/2WS, U1 adds thermal conductive silicone grease to enhance heat dissipation.
- The above changes do not involve changes to RF circuits or peripheral circuits.

Before

New



I attest that the certified device will not be capable of ad-hoc mode operation outside of the grant conditions.

Sincerely,

Name: Vick Zhang

Date: 08-17-2023

Title: safety engineer

Signature of applicant