




FCC LISTED, REGISTRATION
NUMBER: 2764.01

ISED LISTED REGISTRATION
NUMBER: 23595-1

Test report No:
2395ERM.002

Test report

**FCC Rules and Regulations CFR 47, Part 15, Subpart B (10-1-18 Edition)
&
ICES-003 ISSUE 6 – Update April (2017)**

Identification of item tested	Wireless Module
Trademark	Telit
Model and /or type reference	LE866SV1 [Marketing name: LE866-SV1]
Other identification of the product	FCC ID: RI7LE866SV1A IC: 5131A-LE866SV1A HW Version: 1.0
Features	LTE module CAT1
Manufacturer	Telit Communications S.p.A. Via Stazione di Prosecco 5/b 34010 SGONICO TRIESTE - ITALY
Test method requested, standard	FCC Rules and Regulations CFR 47, Part 15, Subpart B (10-1-18 Edition) ICES-003 ISSUE 6 – Update April (2017)
Summary	IN COMPLIANCE
Approved by (name / position & signature)	Domingo Galvez EMC&RF Lab Manager 
Date of issue	03-25-2019
Report template No	FDT08_21

Digitally signed by Domingo Galvez
DN: cn=Domingo Galvez, o=DEKRA
Certification Inc, ou=Regulatory
Lab, email=dgalvez@dekra.com,
c=US
Date: 2019.03.26 18:05:29 -0400

Index

Competences and guarantees	3
General conditions	3
Uncertainty	3
Data provided by the client.....	4
Usage of samples	4
Test sample description	5
Identification of the client.....	6
Testing period and place.....	6
Document history	7
Environmental conditions	7
Remarks and comments	8
Testing verdicts.....	8
Summary	8
List of equipment used during the test.....	8
Appendix A: Test results	9

Competences and guarantees

DEKRA Certification Inc. is a testing laboratory accredited by A2LA (The American Association for Laboratory Accreditation), to perform the tests indicated in the Certificate 2764.01

DEKRA Certification Inc. is a testing laboratory competent to carry out the tests described in this report.

In order to assure the traceability to other national and international laboratories, DEKRA Certification Inc. has a calibration and maintenance program for its measurement equipment.

DEKRA Certification Inc. guarantees the reliability of the data presented in this report, which is the result of the measurements and the tests performed to the item under test on the date and under the conditions stated on the report and, it is based on the knowledge and technical facilities available at DEKRA Certification at the time of performance of the test.

DEKRA Certification Inc. is liable to the client for the maintenance of the confidentiality of all information related to the item under test and the results of the test.

The results presented in this Test Report apply only to the particular item under test established in this document.

IMPORTANT: No parts of this report may be reproduced or quoted out of context, in any form or by any means, except in full, without the previous written permission of DEKRA Certification Inc.

General conditions

1. This report is only referred to the item that has undergone the test.
2. This report does not constitute or imply on its own an approval of the product by the Certification Bodies or competent Authorities.
3. This document is only valid if complete; no partial reproduction can be made without previous written permission of DEKRA Certification Inc.
4. This test report cannot be used partially or in full for publicity and/or promotional purposes without previous written permission of DEKRA Certification Inc. and the Accreditation Bodies.

Uncertainty

Uncertainty (factor $k=2$) was calculated according to the DEKRA Certification internal document PODT000.

	Frequency (MHz)	U(k=2)	Units
Radiated emission	30 - 6000	5.44	dB
	1000-18000	2.92	dB
	18000-40000	2.15	dB

Data provided by the client

LTE module CAT1 supports LTE bands 4 and 13.

DEKRA declines any responsibility with respect to the information provided by the client and that may affect the validity of results.

Usage of samples

Samples undergoing test have been selected by: The client.

Sample S/01 is composed of the following elements:

Control N°	Description	Model	Serial N°	Date of reception
2395.04	Telit Sample	LE866-SV1	IMEI:352613079011577	12/19/2018
2201.04	Cradle kit	N/A	13990002537	05/29/2018
2201.05	Antenna	N/A	N/A	05/29/2018
2201.06	Antenna	N/A	N/A	05/29/2018

1. Sample S/01 has undergone following test(s):

All conducted and radiated tests indicated in appendix A.

Test sample description

Ports..... :	Port name and description	Cable					
		Specified max length [m]	Attached during test	Shielded	Coupled to patient ⁽³⁾		
			<input type="checkbox"/>	<input type="checkbox"/>	<input type="checkbox"/>		
			<input type="checkbox"/>	<input type="checkbox"/>	<input type="checkbox"/>		
			<input type="checkbox"/>	<input type="checkbox"/>	<input type="checkbox"/>		
Supplementary information to the ports..... :	No data provided						
Rated power supply	Voltage and Frequency		Reference poles				
			L1	L2	L3	N	PE
	<input type="checkbox"/>	AC:	<input type="checkbox"/>	<input type="checkbox"/>	<input type="checkbox"/>	<input type="checkbox"/>	<input type="checkbox"/>
	<input type="checkbox"/>	AC:	<input type="checkbox"/>	<input type="checkbox"/>	<input type="checkbox"/>	<input type="checkbox"/>	<input type="checkbox"/>
	<input type="checkbox"/>	DC:					
<input checked="" type="checkbox"/>	DC: 3.8 V						
Rated Power	No data provided						
Clock frequencies	No data provided						
Other parameters..... :	No data provided						
Software version	No data provided						
Hardware version..... :	No data provided						
Dimensions in cm (W x H x D)..... :	No data provided						
Mounting position..... :	<input type="checkbox"/>	Table top equipment					
	<input type="checkbox"/>	Wall/Ceiling mounted equipment					
	<input type="checkbox"/>	Floor standing equipment					
	<input type="checkbox"/>	Hand-held equipment					
	<input checked="" type="checkbox"/>	Other: Module					

Modules/parts	Module/parts of test item	Type	Manufacturer
	LTE MAGNETIC ANTENNA Type n° T-- AT305 [Frequency: 700 - 960MHz / 1710 - 2700 MHz]	Cellular	ATEL-CAB
	LTE MAGNETIC ANTENNA Type n° T-- AT305 [Frequency: 700 - 960MHz / 1710 - 2700 MHz]	Celluar	ATEL-CAB
Accessories (not part of the test item)	Description	Type	Manufacturer
	No data provided		
Documents as provided by the applicant.....	Description	File name	Issue date
	No data provided		

Copy of marking plate:



Identification of the client

TELIT COMMUNICATION S.P.A
 VIALE STAZIONE DI PROSECCO 5/B TRIESTE, 34010, ITALY

Testing period and place

Test Location	DEKRA Certification Inc.
Date (start)	01-07-2019
Date (finish)	01-25-2019

Document history

Report number	Date	Description
2395ERM.002	02-28-2019	First release

Environmental conditions

In the control chamber, the following limits were not exceeded during the test:

Temperature	Min. = 15 °C Max. = 35 °C
Relative humidity	Min. = 30 % Max. = 75 %
Air pressure	Min. = 860 mbar Max. = 1060 mbar

In the semianechoic chamber, the following limits were not exceeded during the test.

Temperature	Min. = 15 °C Max. = 35 °C
Relative humidity	Min. = 30 % Max. = 75 %
Air pressure	Min. = 860 mbar Max. = 1060 mbar

In the chamber for conducted measurements, the following limits were not exceeded during the test:

Temperature	Min. = 15 °C Max. = 35 °C
Relative humidity	Min. = 30 % Max. = 60 %
Air pressure	Min. = 860 mbar Max. = 1060 mbar

Remarks and comments

The tests have been performed by the technical personnel: Koji Nishimoto.

Testing verdicts

Not applicable :	N/A
Pass :	P
Fail :	F
Not measured :	N/M

Summary

Emission Test			
Report Section	Requirement – Test case	Verdict	Remark
A.1.	Radiated emission test (30 MHz – 1000 MHz)	P	N/A
A.1.	Radiated emission test (1 GHz – 18 GHz)	P	Refer 1
A.1.	Radiated emission test (18 GHz – 40 GHz)	N/A	Refer 1
-	Conducted emission test (150 kHz to 30 MHz)	N/A	Refer 2
Supplementary information and remarks:			
1) As per standard 47 CFR §15.33 due to the highest frequency generated or used in the device is above 1000MHz the upper frequency of measurement range is up to 5th harmonic of the highest frequency or 40GHz, whichever is lower.			
2) Not Required, as AC/DC adapter is not sold with the DUT.			

List of equipment used during the test

CONTROL NUMBER	DESCRIPTION	MANUFACTURER	MODEL	LAST CALIBRATION	NEXT CALIBRATION
0997	LISN	NARDA	PMM L3-32	2017/03	2019/03
1073	Pulse Limiter	NARDA	PMM PL01	2017/06	2019/06
1039	Signal Analyser	ROHDE & SCHWARZ	FSV40	2017/03	2019/03
1012	EMI Test Receiver	ROHDE & SCHWARZ	ESR26	2017/03	2019/03
1058	Horn Antenna	ETS LINDGREN	3115	2017/03	2020/03
1055	Horn Antenna	ETS LINDGREN	3116C	2016/12	2019/12
1065	Biconilog Antenna	ETS LINDGREN	3142E	2017/03	2020/03
0981	Preamplifier	BONN ELEKTRONIK	BLMA 0118-2A	2017/05	2019/05
0980	Preamplifier	BONN ELEKTRONIK	BLNA 0360-01N	2017/05	2019/05
0982	Preamplifier	BONN ELEKTRONIK	BLMA1840-1M	2017/05	2019/05
1017	EMC measurement software	ROHDE & SCHWARZ	EMC32 V9.01	---	---

Appendix A: Test results

Appendix A Content

DESCRIPTION OF THE OPERATION MODES.....	11
A.1. RADIATED EMISSION ELECTROMAGNETIC FIELD.....	12

DESCRIPTION OF THE OPERATION MODES

The operation modes described in this paragraph constitute a functionality of the sample under test for itself. Every operation mode takes failure criteria for the immunity test that they were applying to it and a monitoring to guarantee performance of the same ones.

The operation modes used by the samples to which the present report refers, are shown in the following table:

OPERATION MODE	DESCRIPTION
OM#01*	EUT ON. IDLE mode. AC/DC Power supply = 3.3 Vdc

* Worst case mode

A.1. RADIATED EMISSION ELECTROMAGNETIC FIELD

LIMITS:	Product standard:	FCC CFR 47, Part 15, Subpart B (10-1-18 Edition), Secs. 15.109 & ICES-003 Issue 6 – Update April (2017)
	Test standard:	FCC CFR 47, Part 15, Subpart B (10-1-18 Edition), Secs. 15.109 & ICES-003 Issue 6 – Update April (2017); ANSI C63.4 (2014)

Limits of interference Class B

The applied limit for radiated emissions, 3 m distance, according with the requirements of FCC Rules and Regulations 47 CFR Part 15, Subpart B (10-01-18 Edition), Secs. 15.109 & ICES-003 Issue 6 – Update April (2017) in the frequency range 30 MHz to 40 GHz for class B equipment.

Frequency range (MHz)	QP Limit for 3 m	
	(μ V/m)	(dB μ V/m)
30 to 88	100	40
88 to 216	150	43.5
216 to 960	200	46
Above 960	500	54

Frequency range (MHz)	AVG Limit for 3 m		PK Limit for 3 m (1)
	(μ V/m)	(dB μ V/m)	(dB μ V/m)
Above 1000	500	54	74

- (1) Frequencies above 1 GHz, the limit on peak radio frequency emissions is 20 dB above the maximum permitted average emission limit applicable to the equipment under test, as per §15.35(b)

TEST SETUP

All radiated tests were performed in a semi-anechoic chamber. The measurement antenna is situated at a distance of 3 m for the frequency range 30-1000 MHz (Bilog antenna) and at a distance of 1m for the frequency range 1-40 GHz (1 GHz-18 GHz and 18 GHz-40 GHz Double ridge horn antennas).

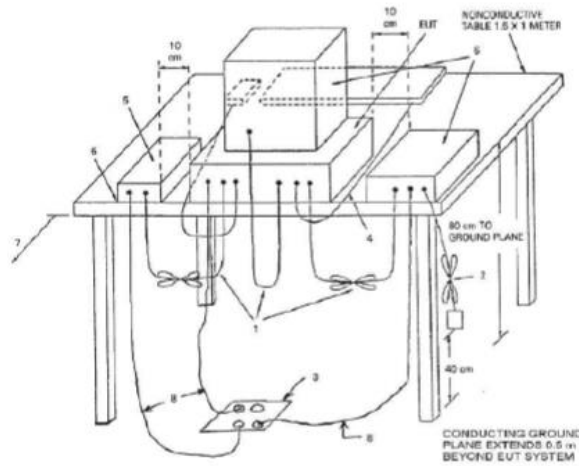
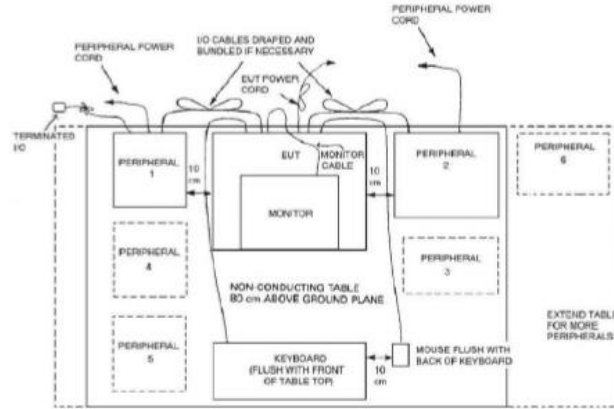
For radiated emissions in the range 1-40 GHz that is performed at a distance closer than the specified distance, an inverse proportionality factor of 20 dB per decade is used to normalize the measured data for determining compliance.

The equipment under test was set up on a non-conductive platform above the ground plane and the situation and orientation was varied to find the maximum radiated emission. It was also rotated 360° and the antenna height was varied from 1 to 4 meters to find the maximum radiated emission.

Measurements were made in both horizontal and vertical planes of polarization.

The field strength is calculated by adding correction factor to the measured level from the spectrum analyzer. This correction factor includes antenna factor, cable loss and pre-amplifiers gain.

TEST SETUP (CONT.)



TESTED SAMPLES:	S/01
TESTED CONDITIONS MODES:	OM#01
TEST RESULTS :	CRmmnxx: CR, Radiation Condition; mm: Sample number; nn: Operation mode.,xx:Range,

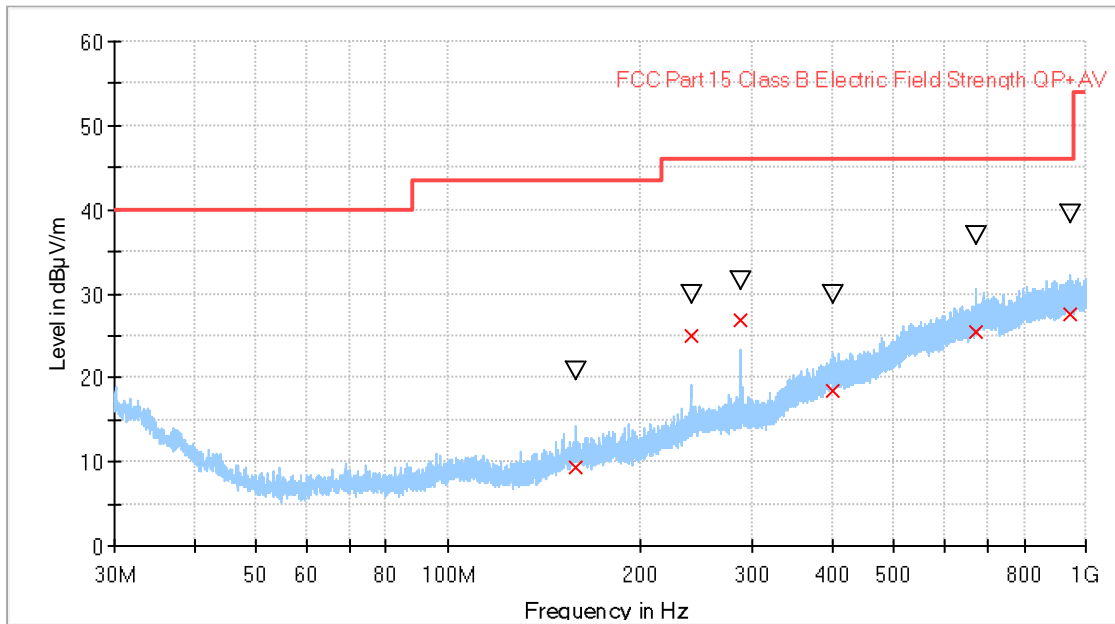
CRmmnxx	Description	Result
CR0101LR	Range: 30 MHz - 1000 MHz Horizontal and Vertical Polarization	P
CR0101HR1	Range: 1GHz - 18 GHz Horizontal and Vertical Polarization	P

TEST RESULTS (Cont.):

CR0101LR

Project: 2395ERM002
Company: TELIT
Sample: S/01
Operation mode: OM#01
Description: EUT ON. IDLE mode. AC/DC Power supply=3.8Vdc . Both Polarizations

Full Spectrum



- Preview Result 1-PK+
- FCC Part 15 Class B Electric Field Strength QP+AV
- x Final_Result QPK
- ▽ Final_Result PK+

Final_Result

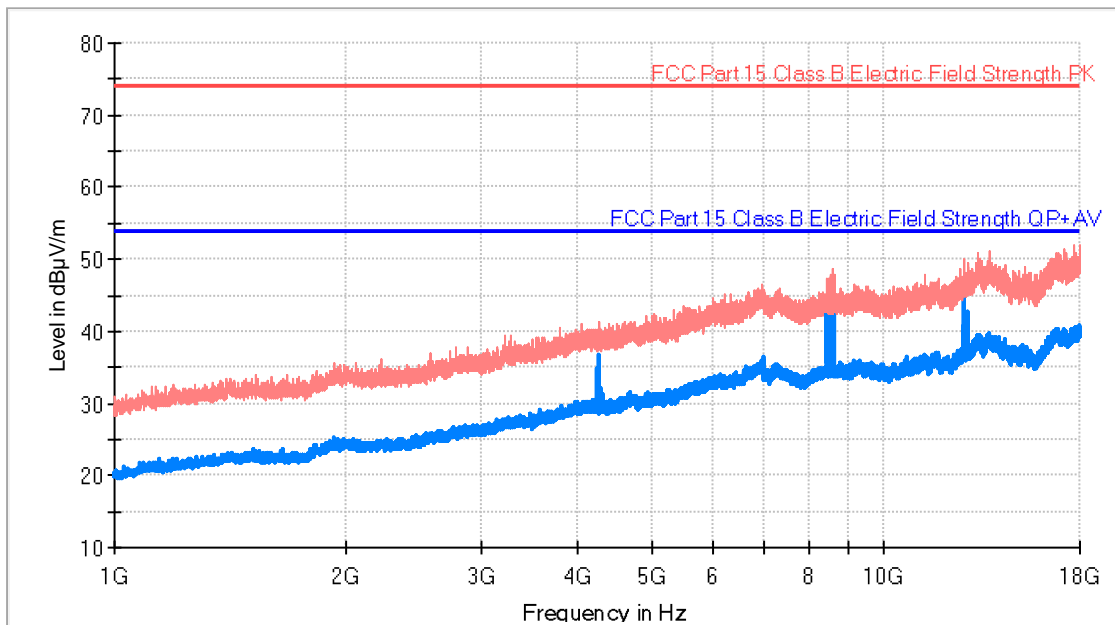
Frequency (MHz)	QuasiPeak (dBµV/m)	MaxPeak (dBµV/m)	Limit (dBµV/m)	Margin (dB)	Height (cm)	Pol	Azimuth (deg)	Corr. (dB/m)
158.450000	---	20.73	---	---	174.0	V	-148.0	10.7
158.450000	9.35	---	43.50	34.15	174.0	V	-148.0	10.7
240.010000	---	29.79	---	---	131.0	H	141.0	13.2
240.010000	24.87	---	46.00	21.13	131.0	H	141.0	13.2
287.980000	---	31.45	---	---	134.0	H	152.0	14.5
287.980000	26.88	---	46.00	19.12	134.0	H	152.0	14.5
399.850000	---	29.88	---	---	286.0	V	-74.0	19.5
399.850000	18.46	---	46.00	27.54	286.0	V	-74.0	19.5
673.510000	---	37.00	---	---	194.0	H	53.0	24.6
673.510000	25.39	---	46.00	20.61	194.0	H	53.0	24.6
946.810000	---	39.42	---	---	117.0	H	-28.0	27.5
946.810000	27.62	---	46.00	18.38	117.0	H	-28.0	27.5

TEST RESULTS (Cont.):

CR0101HR1

Project: 2395ERM002
 Company: TELIT
 Sample: S/01
 Operation mode: OM#01
 Description: EUT ON. IDLE mode. AC/DC Power supply=3.8Vdc. Both polarizations.

RE FCC Part15 Class B 1-18GHz



- AVG_MAXH
- PK+ MAXH
- FCC Part 15 Class B Electric Field Strength PK
- FCC Part 15 Class B Electric Field Strength QP+AV

Maximizations

Frequency (MHz)	PK+ MAXH (dBµV/m)	AVG_MAXH (dBµV/m)	Height (cm)	Pol	Azimuth (deg)	Corr. (dB/m)
8459.812500	46.6	42.9	100.0	V	42.0	19.3
8523.031250	47.9	44.0	100.0	V	6.0	19.5
8617.593750	48.0	44.2	100.0	V	-52.0	19.7
12694.406250	50.0	46.2	100.0	V	42.0	26.1