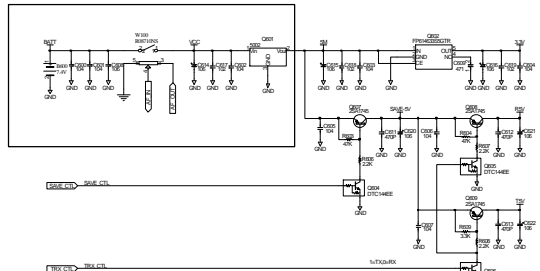
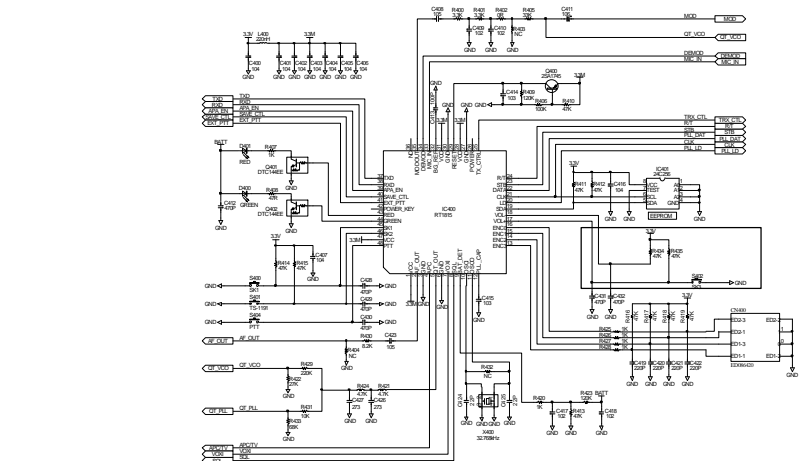
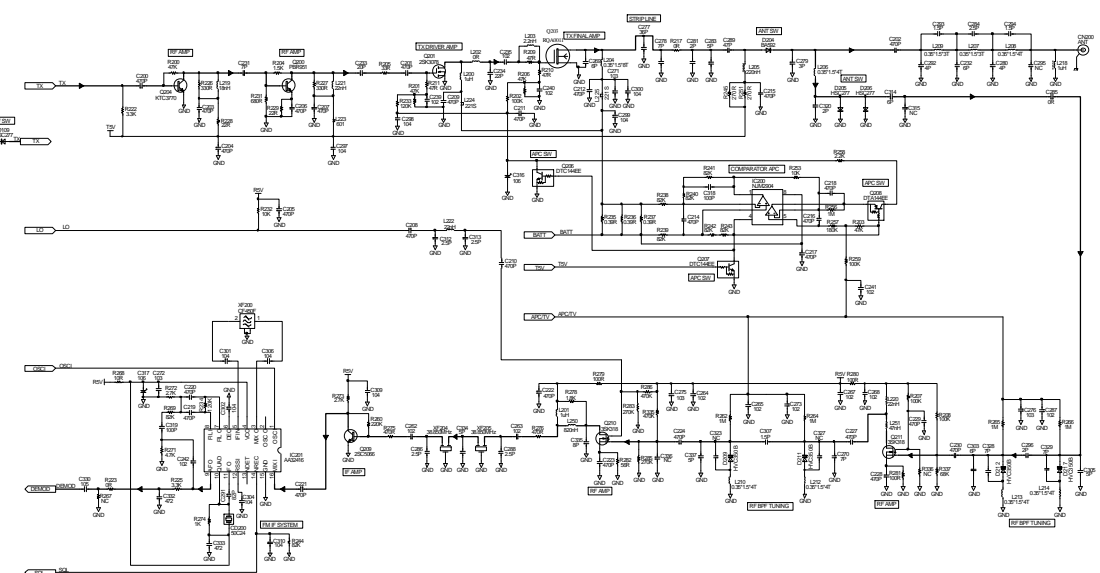
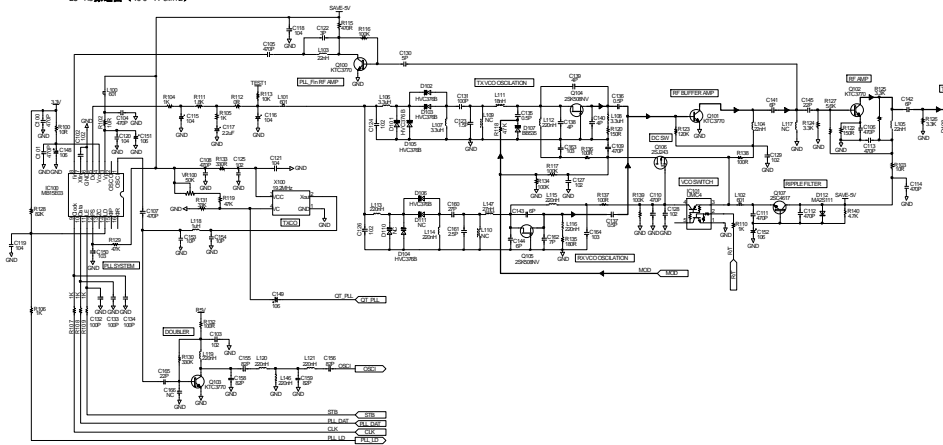
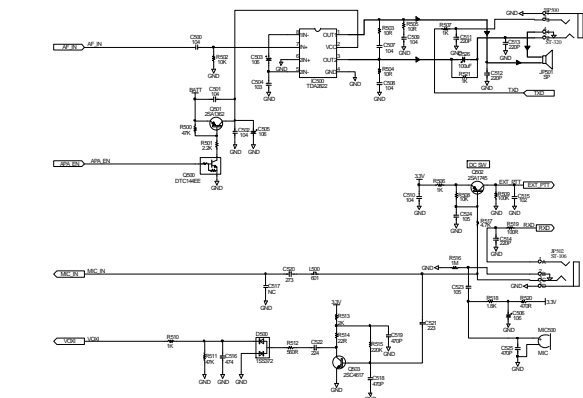


LS-A8 原電圖 (400-470MHz)



POWER



Rev	Number	Reason
1.0	1.0	Initial Release