

Title: *Mini Bluetooth Retro Handset*  
 Number:  
 Sheet: 0 of 0  
 Approved:

Revision: A0  
 Date: 23-Jul-2013  
 Size: A4  
 Auditing:



Protract: Navy

6

5

4

3

2

1

D

C

B

A

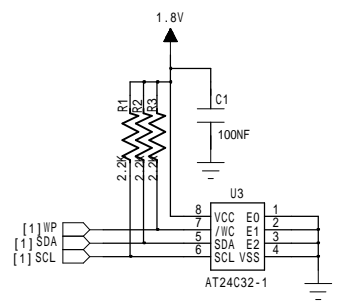
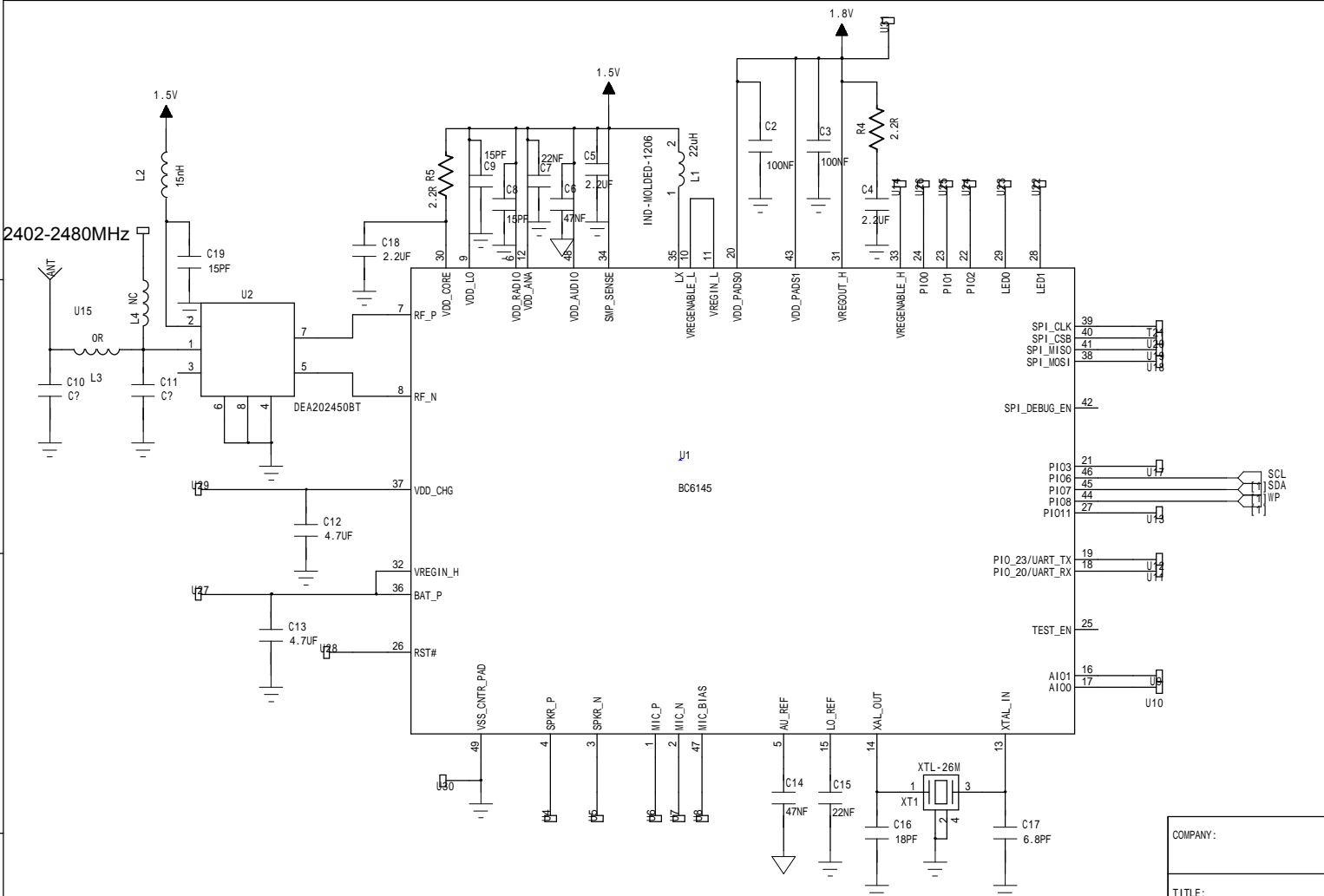
D

C

B

A

| REVISION RECORD |         |           |       |
|-----------------|---------|-----------|-------|
| LTR             | ECO NO: | APPROVED: | DATE: |
|                 |         |           |       |
|                 |         |           |       |
|                 |         |           |       |



|                  |        |       |               |             |      |
|------------------|--------|-------|---------------|-------------|------|
| COMPANY:         |        |       |               |             |      |
| TITLE:           |        |       |               |             |      |
| DRAWN:           | DATED: | CODE: | SIZE:         | DRAWING NO: | REV: |
| CHECKED:         | DATED: |       |               |             |      |
| QUALITY CONTROL: | DATED: |       |               |             |      |
| RELEASED:        | DATED: |       |               |             |      |
| SCALE:           |        |       | SHEET: 1 OF 1 |             |      |