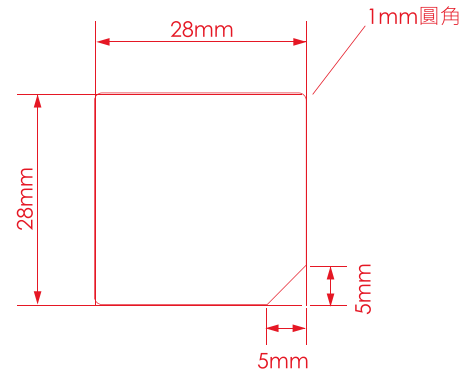




602016 CMF



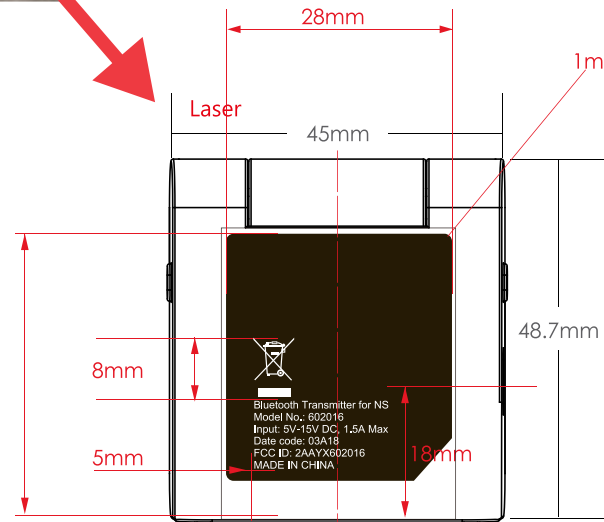
膜具修改 請作28MMX28MM貼紙範圍的下限 下限尺寸25-30條



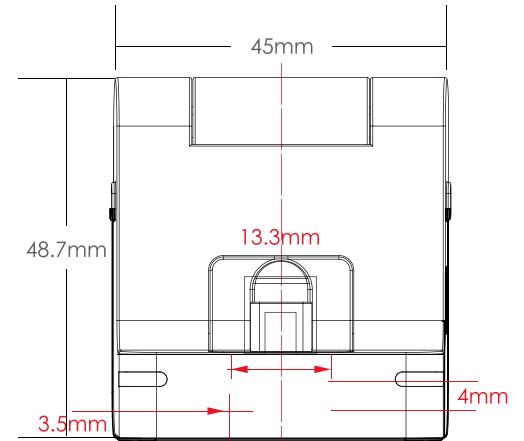
Bluetooth Transmitter for NS
 Model No.: 602016
 Input: 5V-15V DC, 1.5A Max
 Date code: 03A18
 FCC ID: 2AAYX602016
 MADE IN CHINA

放大200%

28MMX28MM消銀貼龍貼紙印黑



圖標位置±0.2mm
 圖標大小±0.1mm



Dimension unit: mm