

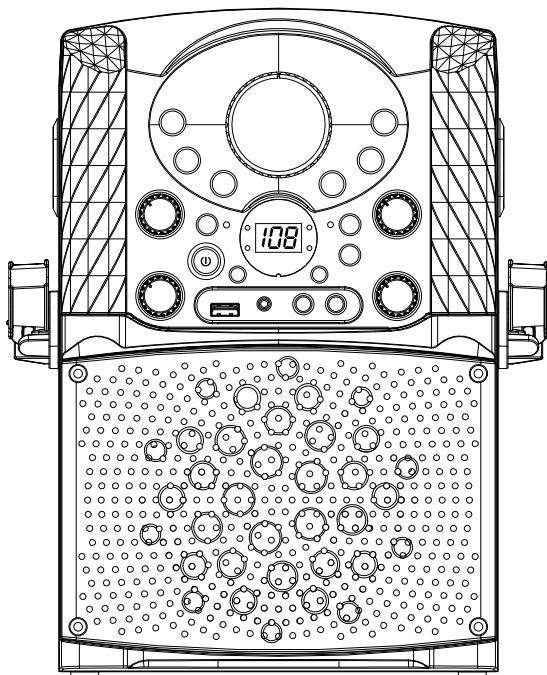


# singing machine®

creating Joy through music™

## SML625BTBK / SML625BTW

INSTRUCTION MANUAL /  
MANUAL DE INSTRUCCIONES /  
MODE D'EMPLOI



[www.singingmachine.com](http://www.singingmachine.com)

The Singing Machine® is a registered trademark of The Singing Machine Co., Inc.  
The Singing Machine® es una marca registrada de The Singing Machine Co., Inc.  
The Singing Machine® est une marque déposée de The Singing Machine Co., Inc.

# Warnings



**CAUTION:** TO REDUCE THE RISK OF ELECTRIC SHOCK, DO NOT REMOVE COVER (OR BACK). NO USER-SERVICEABLE PARTS INSIDE. REFER SERVICING TO QUALIFIED SERVICE PERSONNEL. The Caution marking is located on the bottom panel.



**DANGEROUS VOLTAGE:** The lightning flash with arrowhead symbol within an equilateral triangle is intended to alert the user to the presence of uninsulated dangerous voltage within the product's enclosure that may be of sufficient magnitude to constitute a risk of electric shock to persons.



**ATTENTION:** The exclamation point within an equilateral triangle is intended to alert the user to the presence of important operating and maintenance (servicing) instructions in the literature accompanying this product.

**DRIPPING WARNING:** This product shall not be exposed to dripping or splashing, and no objects filled with liquids, such as vases, shall be placed on the product.

**VENTILATION WARNING:** The normal ventilation of the product shall not be impeded for intended use.

**THIS PRODUCT COMPLIES WITH DHHS RULES 21 CFR CHAPTER 1, SUBCHAPTER J APPLICABLE AT DATE OF MANUFACTURED.**

#### Warnings:

- This CD player employs a laser light beam. Only a qualified service person should remove the cover or attempt to service this device, due to possible eye injury.
- The use of controls, adjustments, or procedures other than those specified herein might result in hazardous radiation exposure.
- The apparatus shall be used in an open area.

#### CAUTION!

Invisible laser radiation when open and interlocks defeated. Avoid exposure to beam.

**WARNING:** TO PREVENT FIRE OR SHOCK HAZARD, DO NOT EXPOSE THIS UNIT TO RAIN OR MOISTURE.

**FCC WARNING:** This equipment may generate or use radio frequency energy. Changes or modifications to this equipment may cause harmful interference unless the modifications are expressly approved in the instruction manual. The user could lose the authority to operate this equipment if an unauthorized change or modification is made.

This device complies with part 15 of the FCC Rules. Operation is subject to the following two conditions: (1) This device may not cause harmful interference, and (2) this device must accept any interference received, including interference that may cause undesired operation.

Changes or modifications not expressly approved by the party responsible for compliance could void the user's authority to operate the equipment.

#### Radiation Exposure Statement

This equipment complies with FCC radiation exposure limits set forth for an uncontrolled environment. This equipment should be installed and operated with minimum distance 20cm between the radiator and your body.

**NOTE:** This equipment has been tested and found to comply with the limits for a Class B digital device, pursuant to part 15 of the FCC Rules. These limits are designed to provide reasonable protection against harmful interference in a residential installation. This equipment generates, uses and can radiate radio frequency energy and, if not installed and used in accordance with the instructions, may cause harmful interference to radio communications. However, there is no guarantee that interference will not occur in a particular installation. If this equipment does cause harmful interference to radio or television reception, which can be determined by turning the equipment off and on, the user is encouraged to try to correct the interference by one or more of the following measures:

- Reorient or relocate the receiving antenna.
- Increase the separation between the equipment and receiver.
- Connect the equipment into an outlet on a circuit different from that to which the receiver is connected.
- Consult the dealer or an experienced radio/TV technician for help.

The rating information is located at the rear of the unit.

#### INDUSTRY CANADA NOTICE:

This device contains licence-exempt transmitter(s)/receiver(s) that comply with Innovation, Science and Economic Development Canada's licence-exempt RSS(s). Operation is subject to the following two conditions:

- (1) This device may not cause interference.
- (2) This device must accept any interference, including interference that may cause undesired operation of the device.

CAN ICES-3(B)/NMB-3(B)

## Important Safety Information

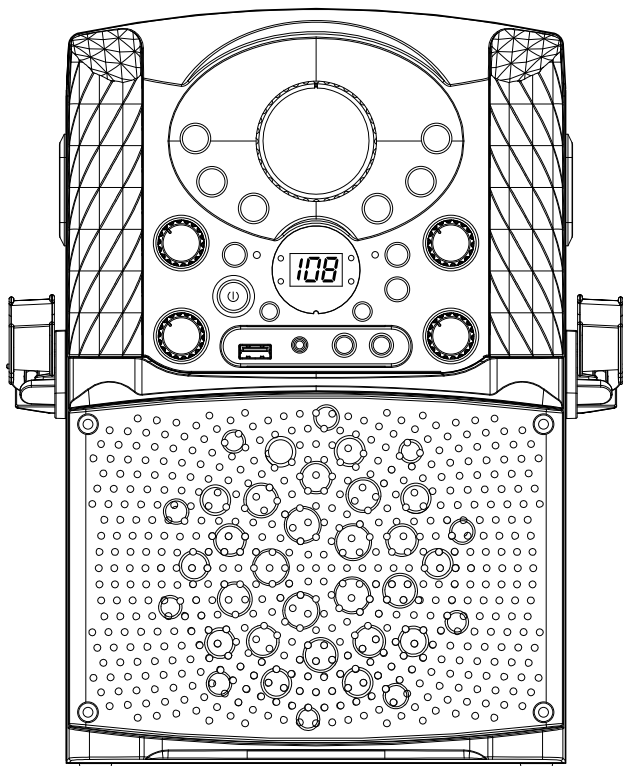
1. Read these Instructions.
2. Keep these Instructions.
3. Heed all Warnings.
4. Follow all Instructions.
5. Do not use this apparatus near water.
6. Clean only with a dry cloth.
7. Do not block any of the ventilation openings. Install in accordance with the Manufacturer's instructions.
8. Do not install near any heat sources such as radiators, heat registers, stoves, or other apparatus (including amplifiers) that produce heat.
9. Do not defeat the safety purpose of the polarized or grounding-type plug. A polarized plug has two blades with one wider than the other. A grounding type plug has two blades and a third grounding prong. The wide blade or the third prong are provided for your safety. When the provided plug does not fit into your outlet, consult an electrician for replacement of the obsolete outlet.
10. Protect the power cord from being walked on or pinched particularly at plugs, convenience receptacles, and the point where they exit from the apparatus.
11. Only use attachments/accessories specified by the manufacturer.
12. Use only with a cart, stand, tripod, bracket, or table specified by the manufacturer, or sold with the apparatus. When a cart is used, use caution when moving the cart/apparatus combination to avoid injury from tip-over.
13. Unplug this apparatus during lightning storms or when unused for long periods of time.
14. Refer all servicing to qualified service personnel. Servicing is required when the apparatus has been damaged in any way, such as power-supply cord or plug is damaged, liquid has been spilled or objects have fallen into the apparatus, the apparatus has been exposed to rain or moisture, does not operate normally, or has been dropped.
15. **WARNING:** To reduce the risk of fire or electric shock, do not expose this apparatus to rain or moisture. Do not place objects filled with water, such as a vase, on the apparatus.
16. The AC mains plug is used as the power disconnect device and it should remain readily accessible and operable during intended use. In order to completely disconnect the apparatus from power, the mains plug should be completely removed from the AC outlet socket.
17. **CAUTION:** To reduce the risk of fire or explosion, do not expose batteries to excessive heat such as sunshine, fire or other heat sources.

PORTABLE CART WARNING  
(symbol provided by RETAC)

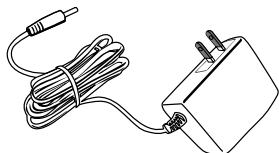


# Included

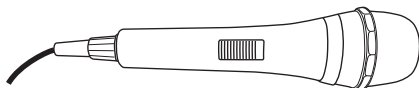
What's in the box.



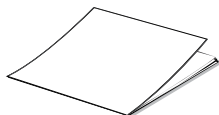
Main Unit



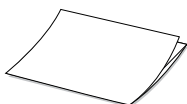
AC Adapter



Wired Microphone



Manual

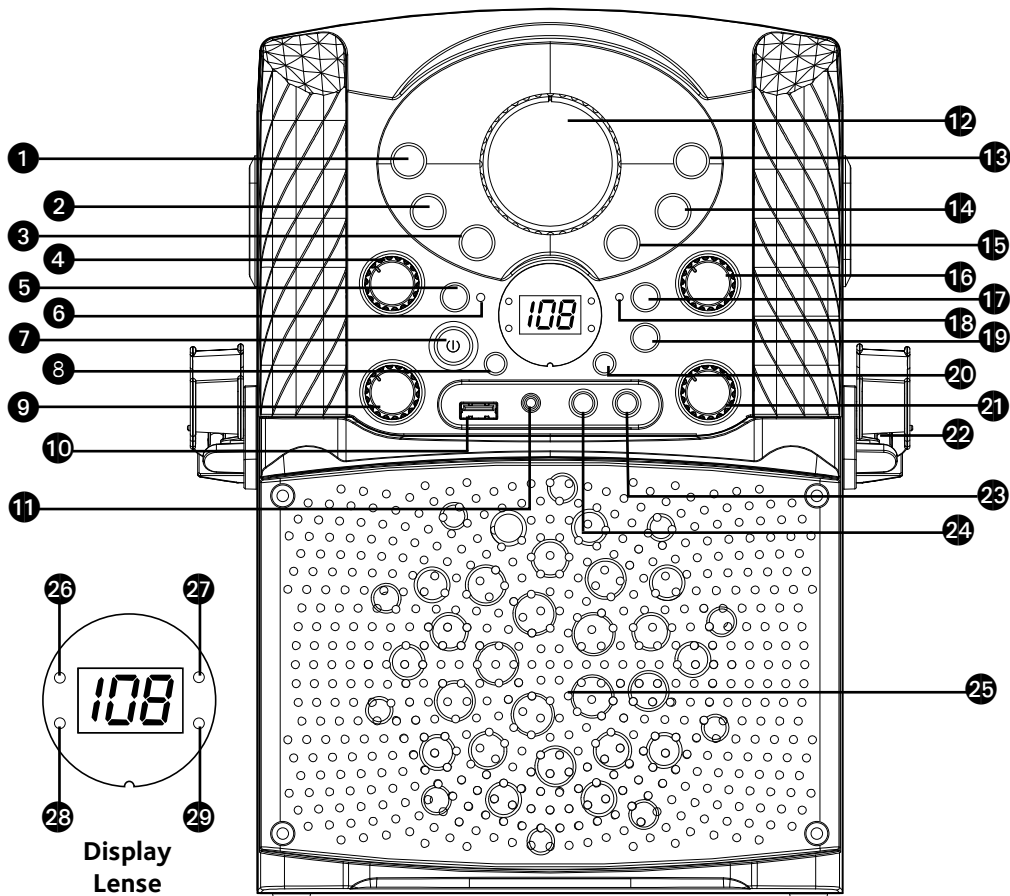


Welcome Kit



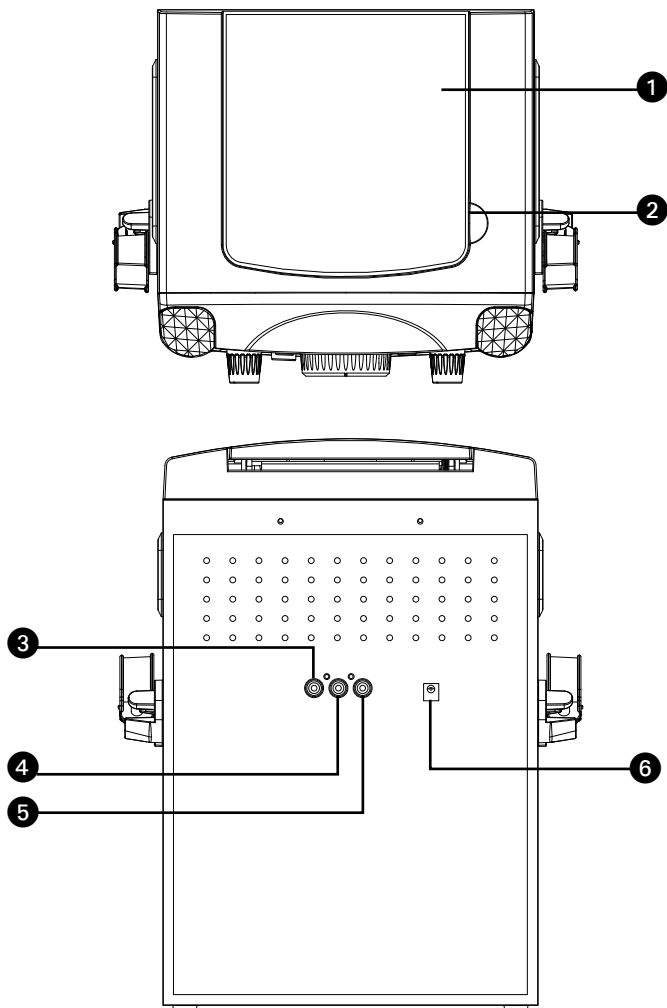
Audio/Video Cables

# Location of Controls (Front)



- |                              |                            |                          |
|------------------------------|----------------------------|--------------------------|
| 1. CDG/USB/BT Button         | 10. USB Port               | 21. ECHO Control         |
| 2. PROGRAM/REPEAT Button     | 11. LINE IN Jack           | 22. Mic Holder           |
| 3. Skip Back ◀◀ Button       | 12. MASTER VOLUME Control  | 23. Mic 2 jack           |
| 4. AUTO VOICE CONTROL Button | 13. Play/Pause ▶   Button  | 24. Mic 1 jack           |
| 5. BLUETOOTH PAIRING Button  | 14. Stop ■ Button          | 25. Speaker              |
| 6. BLUETOOTH indicator       | 15. Skip Forward ▶▶ Button | 26. CDG Indicator        |
| 7. ON/OFF Button             | 16. MIC VOLUME control     | 27. Play/Pause Indicator |
| 8. SKIP 10- Button (MP3)     | 17. RECORD Button          | 28. Program Indicator    |
| 9. BALANCE Control           | 18. Record Indicator       | 29. Repeat Indicator     |
|                              | 19. DISCO LIGHT Button     |                          |
|                              | 20. Skip10+ Button (MP3)   |                          |

# Location of Controls (Top/Rear)



## TOP VIEW

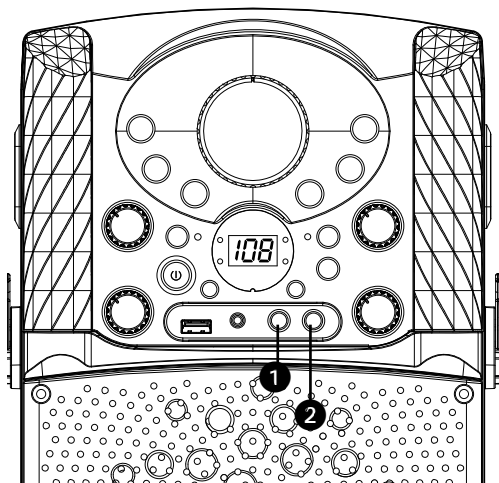
1. CD Door
2. CD open

## REAR VIEW

3. VIDEO OUT Jack
4. AUDIO OUT Jack (R)
5. AUDIO OUT Jack (L)
6. DC IN Jack (5.8V)

# Connection

## Connecting the Microphone(s)

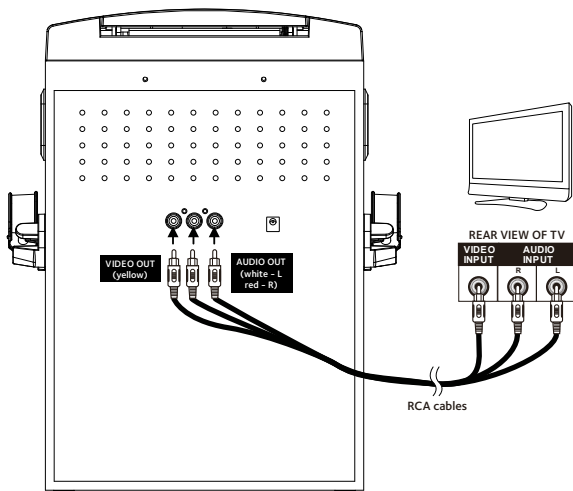


### Microphones:

Connect a microphone into MIC jack 1 as well as MIC jack 2 (when desired).

**Note:** Do not drop or tap the Mic as damage to the Mic or speakers may occur. Do not twirl the microphone cord as it will cause damage to the encased wiring.

## Connecting the Unit to a TV



To output the video, lyrics and audio to your TV, perform the following steps:

Connect the RCA video cable (Yellow) to the VIDEO OUT jack and the audio cables (White and Red) to the AUDIO OUT jacks located on the back of the Singing Machine.

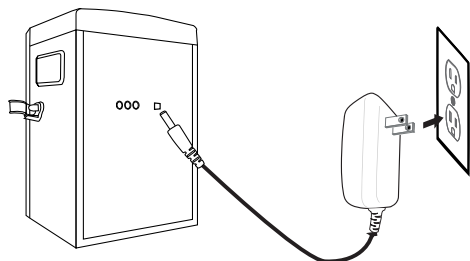
Connect the opposite end of the RCA video cable (Yellow) to the VIDEO IN jack and the audio cables (White and Red) to the AUDIO IN on your TV.

### Notes:

- This unit can be used with or without a TV, but it is highly recommended to use a TV in order to utilize all the features.
- Also refer to the TV's User Guide.
- To see the lyrics on the screen, you must use a CD+G disc.

# Connection

## Connecting to AC Power



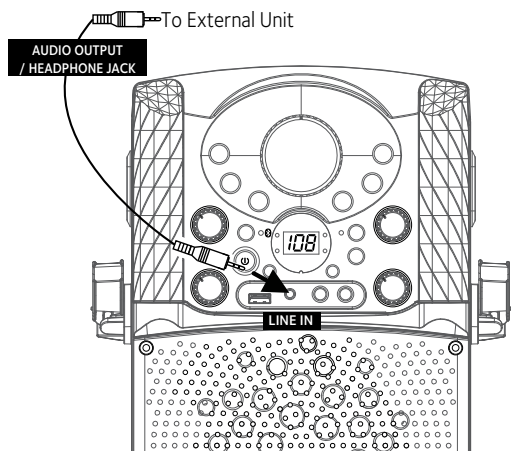
Insert the AC power cord into a conveniently located AC outlet having 120V AC, 60Hz.

### **Note:**

Make all connections before connecting to AC power.

---

## Connecting to LINE IN Jack



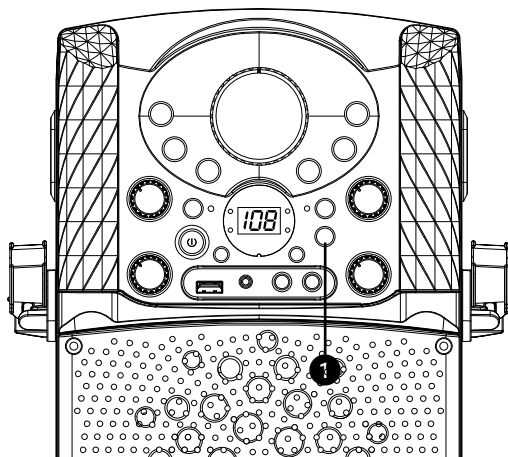
Connect an external device by using an appropriate cable (3.5mm audio cable not included) as shown.

### **Note:**

See page E17 to select and use the LINE IN function.

---

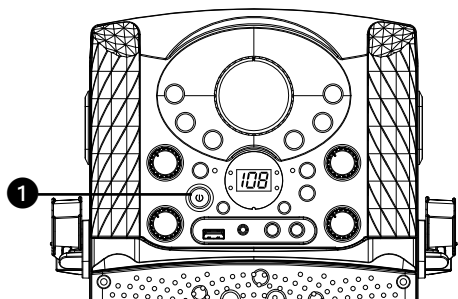
## Disco Lights



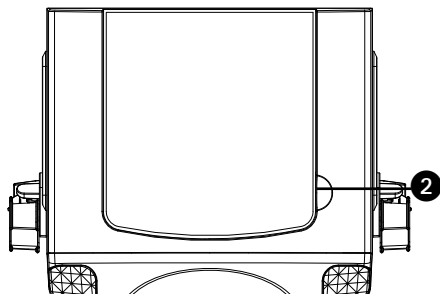
- 1 Press the **LIGHT** button to switch on the lighting effect, press again to switch off.

# Operation

## Playing a CDG



1 Connect the unit as described previously; if using a CD+G, it is recommended to connect to a TV (see page E5). Press the power **ON/OFF** button to turn the unit on.

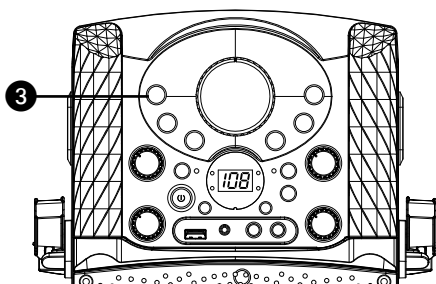


2 Lift open the CD door and insert a CD or a CD+G by gently pressing it on the center spindle. Then close the CD door.

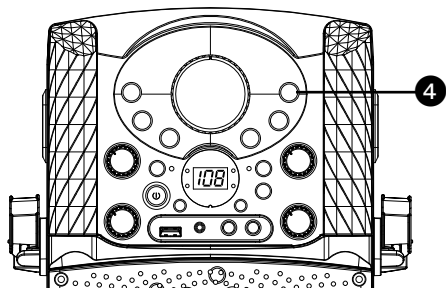
### Note:

#### • What is a CD+G?

- A CD+G (CD+Graphics) is the standard format for most karaoke discs that will display the words on the screen.
- Never place anything other than a CD in the compartment, as foreign objects can damage the unit.
- If no disc is inserted, "no" will appear on the display.
- If connected to a TV and/or other audio source, adjust the volume of the external unit using its own volume control.



3 Repeatedly press the **CDG/USB/BT** button to select the CDG mode; "----" will appear when searching the disc and then the total number of tracks will appear. When a CDG disc is inserted, the CDG indicator will light.

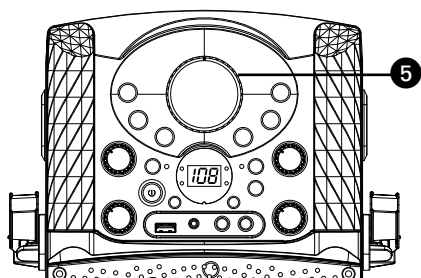


4 Press the **PLAY/PAUSE** button to start playback; if listening to a CD+G file, the image and lyrics will appear on the TV screen (if connected) and the PLAY/PAUSE Indicator will light.

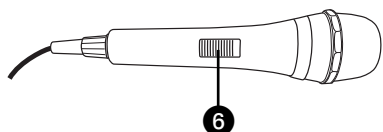


# Operation

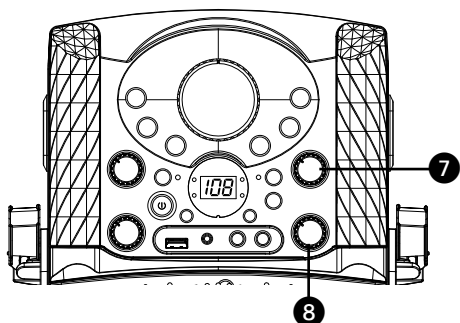
## Playing a CDG (Continued)



5 Adjust the volume to a comfortable level using the **MASTER VOLUME** control.

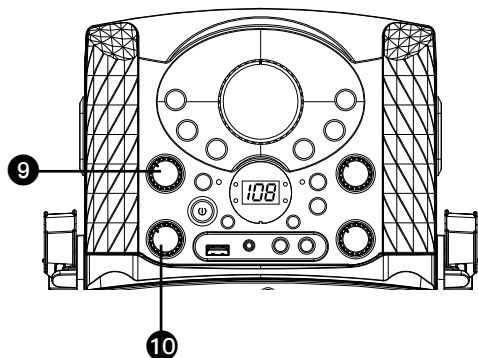


6 Connect microphone(s) and slide the **ON/OFF** switch on the microphone to the ON position.



7 Adjust the **MIC VOLUME** control as desired. Increasing this control will increase the volume of both microphones.

8 Rotate the **ECHO** control to add an echo effect to your voice. Rotate towards MAX to increase the echo effect.



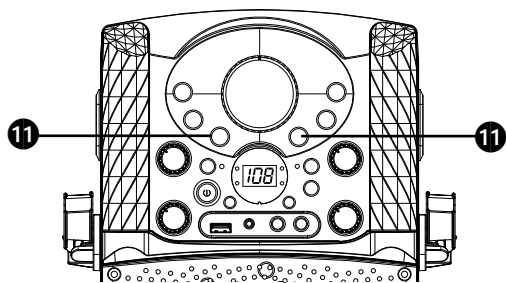
9 **AUTO VOICE CONTROL** can be activated by rotating the **AVC** control. The higher this control is set to, the more the vocals on the multiplex recording will be muted when the singer starts to sing through the microphone. When the singer stops singing, the recorded vocals on the multiplex recording will resume to normal.

10 Rotate the **BALANCE** control clockwise to hear the music and recorded vocals from a multiplex recording or counterclockwise to hear the music only from a multiplex recording.

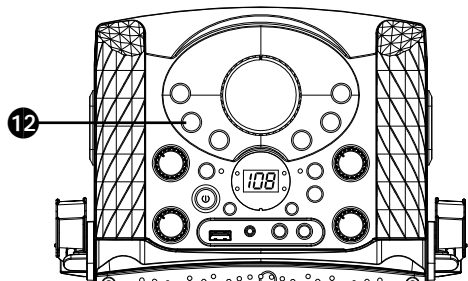
**Note:** To use the **BALANCE** control, a CD+G disc must be used, otherwise it will operate as a standard Balance control.

# Operation

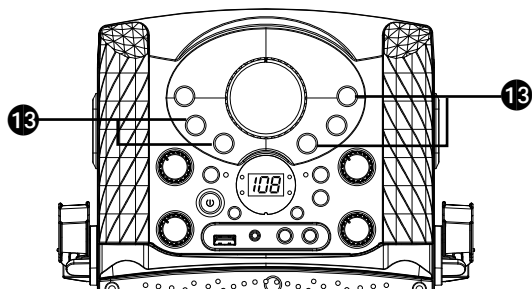
## Playing a CDG (Continued)



**11 SKIP:** Advance or go back one track by pressing the **Skip Back** ◀◀/Skip Forward ▶▶ buttons.



**12 REPEAT:** During playback, press the **PROG/REP** button once to repeatedly play the selected song; the Repeat indicator will blink. Press the **PROG/REP** button a second time to repeatedly play the whole CD; the Repeat indicator will light solid. Press it again to cancel Repeat function, the Repeat indicator turns off.



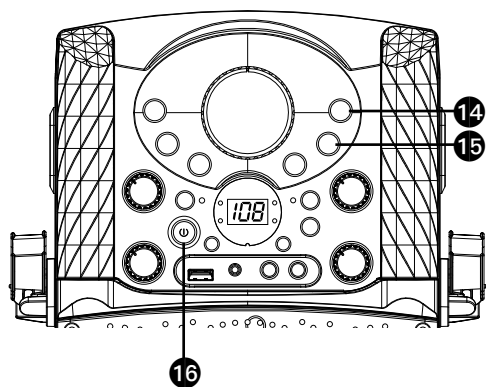
**13 PROGRAM:** You can program up to 20 tracks on any disc for playback in any desired order. While in the Stop mode, press the **PROG /REP** button; the Program indicator will blink and "P00" will appear. Select the first track using the **Skip Back** ◀◀/Skip Forward ▶▶ buttons. Press the **PROG/REP** button again to confirm the entry. After selecting the desired tracks the display will show P01, P02, etc. recognizing the tracks selected have been programmed and the program indicator will illuminate solid red. Repeat to set up to 20 tracks into memory. When done, press the **PLAY/PAUSE** ▶|| button to start playback.

### Note:

- Press the **STOP** ■ button TWICE to stop and clear the program.

# Operation

## Playing a CDG (Continued)



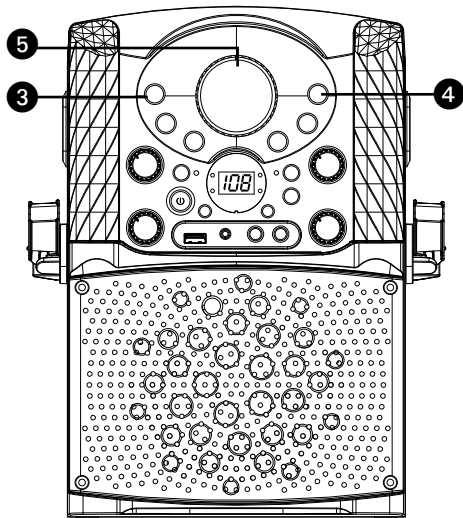
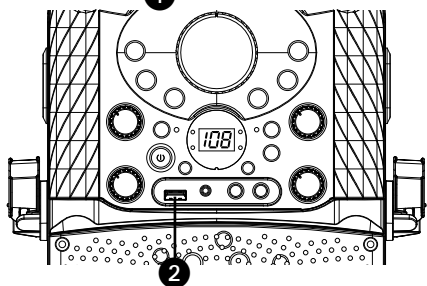
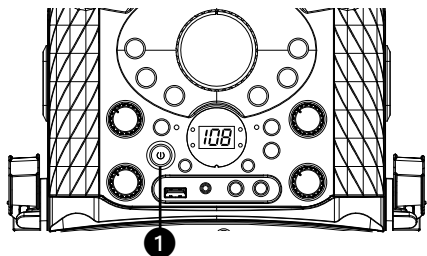
**14 PAUSE:** During playback, if you wish to pause the disc momentarily, press the **PLAY/PAUSE ▶||** button; the PLAY/PAUSE indicator will blink. Press again to resume normal playback.

**15** Press the **STOP ■** button to stop playback.

**16** Press the power **ON/OFF** button to turn the unit off.

# Operation

## Playing Songs from the USB



1 Connect the unit as described previously. Press the power **ON/OFF** button to turn the unit on.

2 Insert a USB flash drive into the USB port on the unit so it faces upward.  
Make sure to download music from the Karaoke store, see page E21.

3 Repeatedly press the **CDG/USB/BT** button to select the USB mode; “usb” will appear when searching the drive and then the total number of files will appear.

**Note:** The USB mode cannot be accessed until a flash drive is inserted.

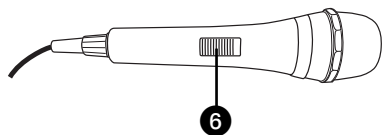
4 Press the **PLAY/PAUSE** button to start playback; if listening to an MP3+G file, the image and lyrics will appear on the TV screen (if connected).

5 Adjust the volume to a comfortable level using the **MASTER VOLUME** control.

**Note:** If connected to a TV or other audio source, adjust the volume of the TV using its own volume control.

# Operation

## Playing Songs from the USB (Continued)



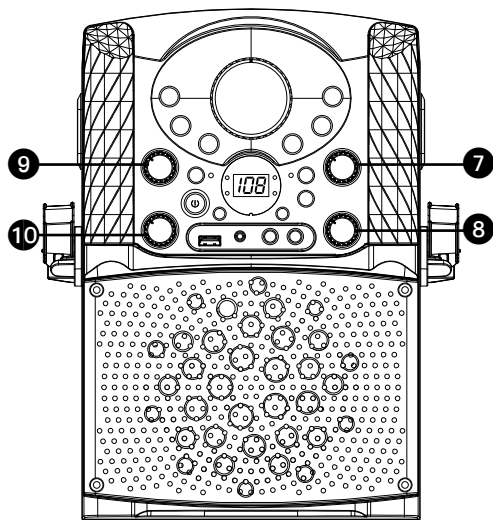
6 Connect microphone(s) and slide the **ON/OFF** switch on the microphone to the ON position.

7 Adjust the **MIC VOLUME** control as desired. Increasing this control will increase the volume of both microphones.

8 Rotate the **ECHO** control to add an echo effect to your voice. Rotate towards MAX to increase the echo effect.

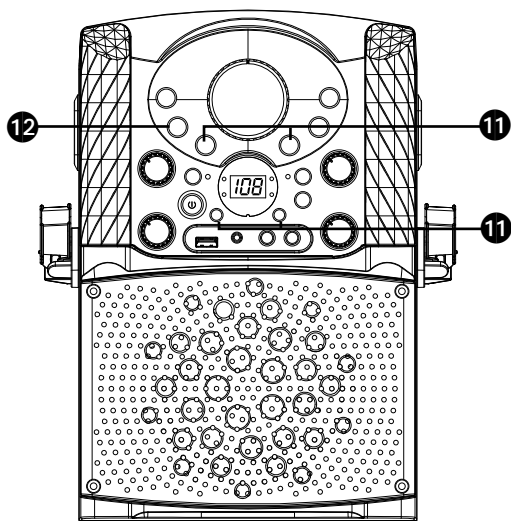
9 **AUTO VOICE CONTROL** can be activated by rotating the **AVC** control. The higher this control is set to, the more the vocals on the multiplex recording will be muted when the singer starts to sing through the microphone. When the singer stops singing, the recorded vocals on the multiplex recording will resume to normal.

10 Rotate the **BALANCE** control clockwise to hear the music and recorded vocals from a multiplex recording or counterclockwise to hear the music only from a multiplex recording.



# Operation

## Playing Songs from the USB (Continued)



**11 SKIP:** Advance or go back one track by pressing the **⏮** or **⏭** buttons. You can also skip ahead 10 files/tracks using the **Skip10+** button and skip back 10 files/tracks by **Skip 10-** button.

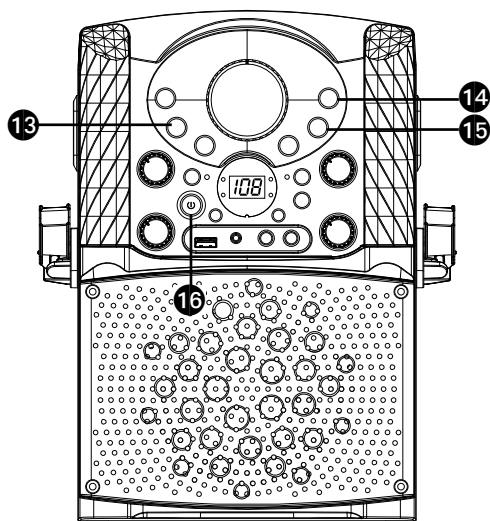
**SEARCH:** When playing any audio from the USB, press and hold the **⏮** or **⏭** buttons. The USB will search at high speed in the forward or backward direction. Normal play will continue when you release the button.

During Stop mode you can also select a file using the **⏮** or **⏭** buttons to scroll right/left.

**12 REPEAT:** During playback, press the **REP/PROG** button once during playback, the Repeat indicator will blink and the current track will be repeated. Press the **REP/PROG** button twice, the Repeat indicator will blink, all MP3 tracks inside the current folder will be repeated continuously. Press the **REP/PROG** button three time, the Repeat indicator will light solid, all MP3 tracks will be repeatedly. To stop repeat function by press the button again, the Repeat indicator will turns off.

# Operation

## Playing Songs from the USB (Continued)



**13 PROGRAM:** You can program up to 20 tracks for playback in any desired order. While in Stop mode, press the **REP/PROG** button; Program indicator will blink and "P00" appear. Select the first track using **◀** or **▶** buttons, then press the **REP/PROG** button. Repeat to set up to 20 tracks into memory. When done, press the **PLAY/PAUSE ▶||** button to start playback.

**Note:** Press the **STOP ■** button TWICE to stop and clear the program.

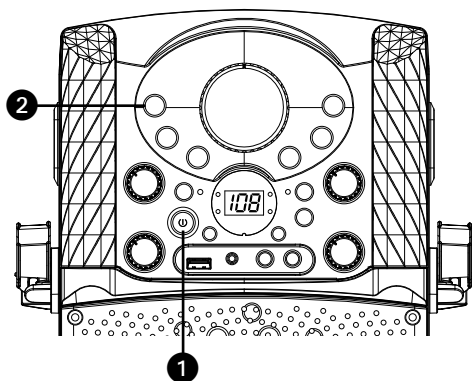
**14 PAUSE:** During playback, if you wish to pause the music momentarily, press the **PLAY/PAUSE ▶|| /ENTER** button. Press again to resume normal playback.

**15** Press the **STOP ■** button to stop playback.

**16** Press the **ON/OFF** button to turn the unit off.

# Operation

## Using a Bluetooth Device

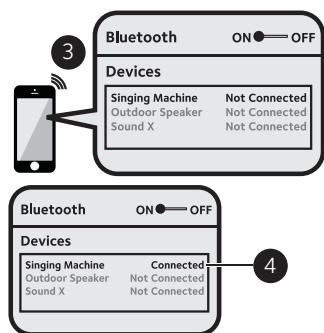


- 1 Connect the unit as described previously. Press the power **ON/OFF** button to turn the unit on.
- 2 Repeatedly press the **CDG/USB/BT** button to select the Bluetooth mode; “bt” will blink in the display as the unit automatically searches for and pairs a previously paired Bluetooth device (if previously paired). If no previously paired devices are present, connect as shown in the next step.

**Note:** You can also press the **PAIR** button to disconnect any paired devices in order to pair another device.

- 3 Turn on your device’s Bluetooth option in settings to search for a discoverable device with a Bluetooth signal. Select “**Singing Machine**” from the device results on the Bluetooth menu, “bt” will light solid in the display. The Bluetooth indicator will light and a successful pairing sound will be heard.

**Note:** Also refer to the user manual of your Bluetooth device for detailed instructions.



- 4 The Bluetooth indicator will light and a successful pairing sound will be heard.

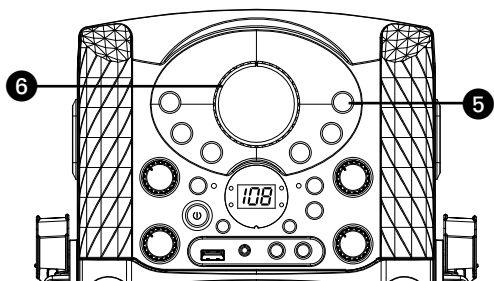
### Notes:

- If your Bluetooth prompts you for a passcode during the pairing process, please enter “0000” to connect.
- On some Bluetooth devices, once pairing is complete, select your Bluetooth device as “Use as Audio Device” or similar.
- If connection is lost after successful pairing, check to make sure the distance between speaker and Bluetooth-enabled device does not exceed 30 feet/10 meters.
- “Bluetooth” will blink on TV screen, and will stop blinking after successful connection.



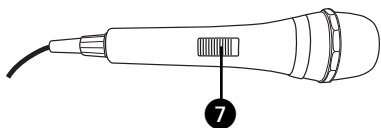
# Operation

## Using a Bluetooth Device (Continued)



5 To control your Bluetooth device from this unit, press the **PLAY/PAUSE ▶||** button to start playback. Press the **PLAY/PAUSE ▶||** button during playback to pause the song.

6 Adjust the volume to a comfortable level using the **MASTER VOLUME** control on this unit as well as the volume on your Bluetooth device.

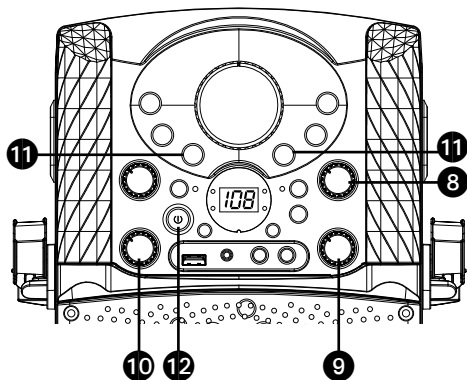


7 Connect microphone(s) and slide the **ON/OFF** switch on the microphone to the ON position.

8 Adjust the **MIC VOLUME** control as desired. Increasing this control will increase the volume of both microphones.

9 Rotate the **ECHO** control to add an echo effect to your voice. Rotate towards MAX to increase the echo effect.

10 Adjust the balance between the speakers using the **BALANCE** control.

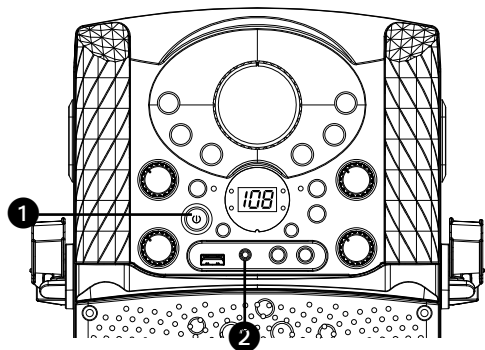


11 **SKIP:** Advance or go back one track by pressing the **Skip Back ◀◀/Skip Forward ▶▶** buttons.

12 Press the power **ON/OFF** button to turn the unit off.

# Operation

## Using the LINE IN Jack



1 Connect the unit as described previously. Press the power **ON/OFF** button to turn the unit on.

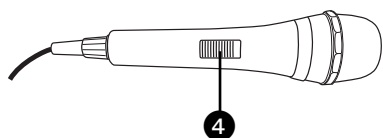
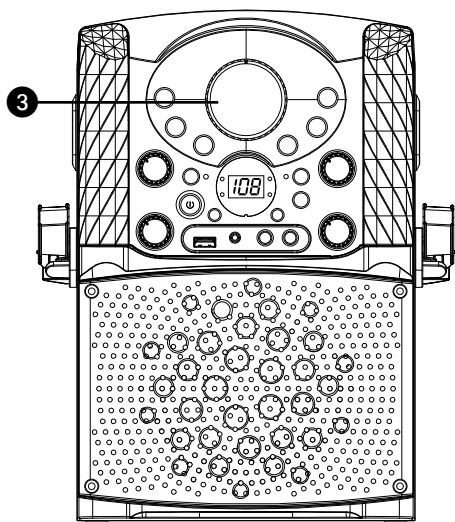
2 Connect the external unit to the LINE IN Jack on the front of this unit. Connecting an external unit will allow the audio to be played through your Singing Machine. LINE IN function is automatically selected once the audio cable is plugged in.

### Notes:

- It is highly recommended to set the volume on the auxiliary unit to 1/3 or lower to avoid distortion.
- Skipping files/tracks is not possible on this unit when using an external device.

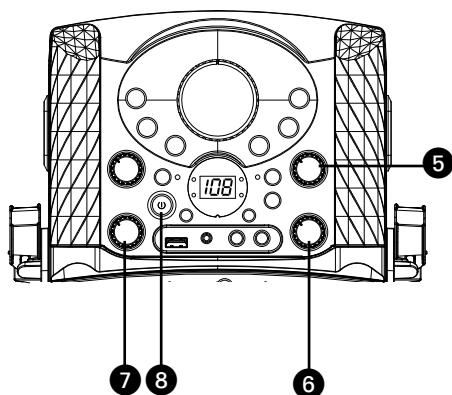
3 Adjust the volume using the **MASTER VOLUME** control on this unit or your external device's volume control.

4 Connect microphone(s) and slide the **ON/OFF** switch on the microphone to the ON position.



# Operation

## Using the LINE IN Jack (Continued)



5 Adjust the **MIC VOLUME** control as desired. Increasing this control will increase the volume of both microphones.

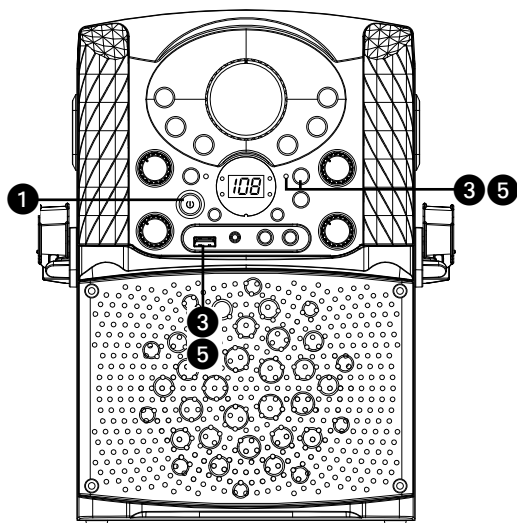
6 Rotate the **ECHO** control to add an echo effect to your voice. Rotate towards MAX to increase the echo effect.

7 Adjust the balance between the speakers using the **BALANCE** control.

8 Press the power **ON/OFF** button to turn the unit off.

# Operation

## Recording Singing to the USB



- 1 Connect the unit as described previously. Press the power **ON/OFF** button to turn the unit on.

### RECORD CDG/CD MUSIC TO THE USB

- 2 Follow the “Playing a CDG” instruction described on page E7 - page E10 to start the CDG/CD music playback.

- 3 Insert a USB flash drive into the USB port on the unit, press the **REC** button; the REC indicator will light up, the song will start over and recording begin. When recording is finished, press the **REC** button again to stop.

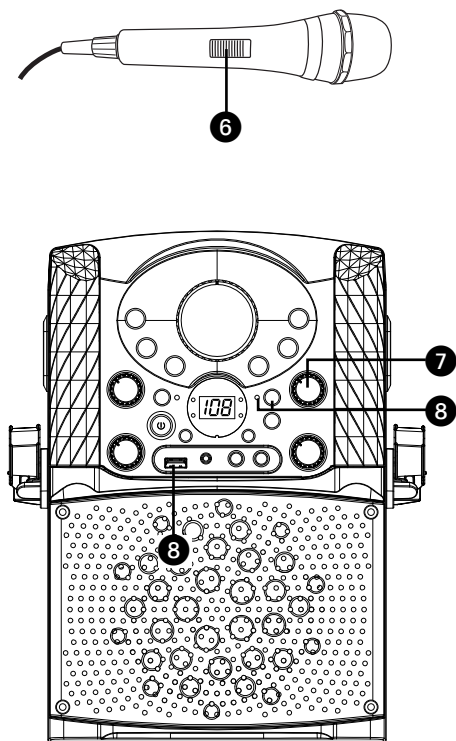
### RECORD BLUETOOTH MUSIC TO THE USB

- 4 Follow the “Using a Bluetooth Device” instruction described on page E15 - page E16 to start the Bluetooth music playback.

- 5 Insert a USB flash drive into the USB port on the unit, press the **REC** button; the REC indicator will light up, the song will be recording right the way. When recording is finished, press the **REC** button again to stop.

# Operation

## Recording Singing to the USB



### RECORDING YOUR SINGING TO THE USB

- 6 Connect microphone(s) and slide the **ON/OFF** switch on the microphone to the **ON** position.
- 7 Adjust the **MIC VOLUME** control as desired. Increasing this control will increase the volume of both microphones.
- 8 Insert a USB flash drive into the USB port on the unit, press the **REC** button; the REC indicator will light up, the song will be recording right the way. When recording is finished, press the **REC** button again to stop.

**Note:** You cannot record from the USB or Line in, only from a CD, CDG or Bluetooth.

# Operation

## Where to Download MP3+G Files

### Helpful Hints:

The .mp3 and .cdg files are delivered for download in a single, compressed MP3+G.zip file. The MP3+G file cannot be played as a .zip file on a USB flash drive. To play karaoke songs using a USB flash drive, the MP3+G.zip file must be unzipped as follow:

- Connect a USB flash drive to your computer.
- Download the MP3+G file from your Digital Locker and save the .zip file to a folder on your computer.
- Double click the .zip file to open the .zip (you will see the .mp3 .cdg files to USB flash drive.
- Remove (eject) the USB flash drive from your computer.

Turn on the Singing Machine and connect the USB flash drive.

To purchase and download karaoke music, please visit <http://store.singmachine.com> to access over 13,000+ of your favourite karaoke songs. You will need a USB flash drive (not included) to transfer the downloads to this unit. Follow these easy steps:

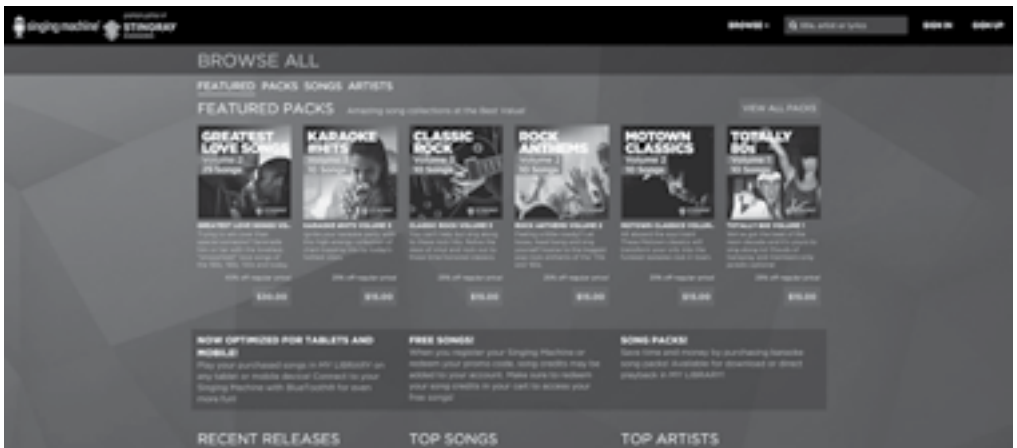
- 1 Go to <http://store.singmachine.com> using your internet browser, and then register.
- 2 Select and purchase your favorite karaoke music from the Singing Machine Download Store.
- 3 Download your selected purchase(s) from the Singing Machine Digital Locker to your USB flash drive.
- 4 Insert the USB flash drive as shown on page E11 and have fun singing!

**Note:** Your downloaded songs can also be burned to a blank CDR/CDRW.

### FAQ

- Where can I get additional help with the file formats?

While on the Singing Machine Store's web page, simply click **FILE FORMATS** at the lower left.



# Troubleshooting Guide

Should this unit exhibit a problem, check the following before seeking service:

## No Power

- Power is not on; press the power **ON/OFF** button to turn power on.
- Confirm that the AC adapter is connected securely to the back of the unit.
- Connect the unit to a different outlet.

## No Sound – General

- Master Volume is set to minimum; raise volume.
- Correct Function was not selected; select using the **CDG/USB/BT** button.
- If using an external device, raise the volume.
- Check if the LINE IN jack is still connected by a cable.

## No Sound – If connected to a TV

- Volume on the TV is muted or too low.
- Correct source (usually AV) was not selected on the TV's menu.

## Lyrics do not appear on the TV screen

- If connected to a TV, Video plug is not connected properly; see page E5.
- If connected to a TV, select the correct source on the TV (usually AV).
- The file/track being played is not a track recording with lyrics. These are the only files that allow you to view the lyrics on the TV screen.
- Nothing will appear on the TV screen when using LINE IN or Bluetooth.

## File(s) on USB Jack not playing

- The file is corrupted; replace the file.
- The file is not in a format this unit will play.
- The connected USB device is not supported by the product.

## No sound from the microphone

- Make sure the microphone is firmly connected to the MIC 1 or MIC 2 jack.
- Make sure the **ON/OFF** switch on the microphone is set to the ON position.
- Make sure the **MIC VOLUME** setting is not set too low.
- **MASTER VOLUME** is set to minimum; raise volume.
- Adjust The **ECHO** control past the mid point on the Singing Machine.

## The Bluetooth device cannot be paired or connected with the unit

- You have not activated the Bluetooth function of your device; see page E15 or refer to the Bluetooth device user's manual.
- The system is not in pairing mode; press the **Pair** button to restart pairing.

## The Music is not available on the unit after successfully connecting the Bluetooth

- Ensure your Bluetooth device can support the A2DP Bluetooth profile.
- The volume on the external Bluetooth device is set to low or muted; raise as desired.

# Specifications

## AUDIO

OUTPUT POWER (MAXIMUM) .....	3.5 Watts (RMS)
OUTPUT IMPEDANCE .....	3 Ohms

## CD PLAYER SECTION

FREQUENCY RESPONSE .....	100Hz - 20kHz
SIGNAL-TO-NOISE RATIO .....	50dB
NUMBER OF PROGRAMS .....	20 Step Random Access Programming
SAMPLING SYSTEM .....	8 Times Over Sampling

## BLUETOOTH

Bluetooth Version .....	V5.0
Working Distance .....	Up to 30 feet/10 meters measured in open space

## USB

Format .....	FAT32
Maximum Compatibility .....	32GB

<b>AUX IN SECTION</b> .....	3.5 mm Stereo Headphone Jack
<b>MICROPHONE</b> .....	-74db 600 Ohm Impedance with 6.3 mm Dynamic Microphone

<b>POWER SECTION</b> .....	DC 5.8V 1.5A
----------------------------	--------------

<b>POWER CONSUMPTION</b> .....	8.7 W
--------------------------------	-------

<b>DIMENSIONS (HxWxD)</b> .....	12.8 x 8.4 x 8.5 inches / 32.5 x 21.3 x 21.5 cm
---------------------------------	---

<b>WEIGHT</b> .....	5.0 lbs / 2.2 kgs
---------------------	-------------------



Specifications are subject to change without notice.



The Bluetooth® word mark and logos are registered trademarks owned by Bluetooth SIG, Inc. and any use of such marks and logos by The Singing Machine Company, Inc. is under license. Other trademarks and trade names are those of their respective owners.



# Advertencias

	<b>PRECAUCIÓN</b> RIESGO DE DESCARGA ELÉCTRICA NO ABRIR	
<b>PRECAUCIÓN:</b> PARA REDUCIR EL RIESGO DE DESCARGAS ELÉCTRICAS, NO quite la cubierta (ni la tapa posterior) no hay piezas reparables por el usuario dentro. Derive las reparaciones a personal de servicio calificado. Las marcas de Precaución se ubican en el panel inferior.		



**TENSIÓN PELIGROSA:** La luz intermitente con símbolo de flecha dentro de un triángulo pretende alertar al usuario de la presencia de tensión peligrosa no aislada, dentro del paquete del producto, que puede ser de magnitud suficiente para constituir un riesgo de descarga eléctrica para las personas.



**ATENCIÓN:** El signo de exclamación dentro de un triángulo pretende alertar al usuario de la presencia de instrucciones importantes de operación y mantenimiento (reparaciones) en el material que acompaña a este producto.

**ADVERTENCIA DE GOTEOS:** Este producto no se podrá exponer a goteo o salpicaduras, y no se colocará ningún objeto lleno con líquidos, como jarrones, encima del producto.

**ADVERTENCIA DE VENTILACIÓN:** La ventilación normal del producto no se bloqueará si se le da el uso previsto.

Este producto cumple con las normas DHHS 21 CFR del capítulo 1, subcapítulo J que aplican desde la fecha de fabricación.

## Advertencias:

- Este reproductor de CD utiliza un haz de luz láser. Solo la persona de reparaciones calificada es quien puede retirar la cubierta y reparar este dispositivo debido a posibles lesiones en la vista.
- El uso de controles, ajustes o la realización de procedimientos que no sean los especificados en el presente pueden producir exposición a radiación peligrosa.
- El artefacto deberá utilizarse en un espacio abierto.

## PRECAUCIÓN!

Si la caja se abre o el dispositivo de seguridad se destruye, puede producirse la emisión invisible de radiación láser. Evite la exposición al haz de luz.

**ADVERTENCIA:** PARA EVITAR INCENDIOS O PELIGROS DE DESCARGA, NO EXPONGA ESTA UNIDAD A LA LLUVIA O HUMEDAD.

**AVISO DE LA FCC:** Este equipo puede generar o usar energía de radio frecuencia. Los cambios o modificaciones realizados en el aparato pueden provocar interferencia perjudicial, a menos que dichas modificaciones estén autorizadas en el manual de instrucciones. El usuario puede perder toda autoridad para operar el equipo si realiza cambios o modificaciones sin autorización.

Este aparato cumple con la parte 15 de las Normas de la FCC. El funcionamiento está sujeto a las dos condiciones que figuran a continuación: (1) Es probable que no cause interferencia perjudicial y (2) deberá aceptar cualquier interferencia recibida, incluyendo la interferencia que pueda llegar a causar un funcionamiento indeseado.

Este equipo cumple con los límites de exposición a radiación de FCC estipulados para un ambiente no controlado. Este equipo debería instalarse y operarse con una distancia mínima de 20 centímetros entre el radiador y su cuerpo.

**NOTA:** Este equipo fue probado y se concluyó que cumple con los límites establecidos para los dispositivos digitales Clase B, de acuerdo con el Apartado 15 de las normas de la FCC. Estos límites fueron pensados para proporcionar protección razonable ante la interferencia perjudicial en una instalación residencial. Este equipo genera, usa y puede emitir energía de radio frecuencia y, si no se lo instala y utiliza de conformidad con las instrucciones, puede causar interferencia perjudicial a las comunicaciones radiales. No obstante, no existe ninguna garantía de que no se produzca interferencia en una instalación en particular. Si este equipo provoca interferencia perjudicial a la recepción de radio o televisión, lo cual puede determinarse apagando y encendiendo el equipo, el usuario puede intentar corregir la interferencia de alguna/s de las siguientes maneras:

- Reoriente la antena receptora o ubíquela en otro lugar.
- Aumente la distancia entre el equipo y el receptor.
- Conecte el equipo a un tomacorriente de un circuito distinto al que está conectado el receptor.
- Consulte al distribuidor o a un técnico experimentado de radio y televisión para que lo asesore.
- La información de clasificación está ubicada en la parte inferior de la unidad.

## AVISO A LA INDUSTRIA CANADIENSE:

Este dispositivo cumple con las normas industriales RSS exentas de licencia de Canadá. La operación está sujeta a las dos condiciones siguientes:

1. Este dispositivo no puede causar interferencias perjudiciales y
2. Este dispositivo debe aceptar cualquier interferencia recibida, incluidas aquellas que puedan provocar un funcionamiento no deseado.

CAN ICES-3(B)/NMB-3(B)

# Información importante sobre seguridad

1. Lea estas instrucciones.
2. Conserve estas instrucciones.
3. Preste atención a todas las advertencias.
4. Siga todas las instrucciones.
5. No utilice este artefacto cerca del agua.
6. Límpielo únicamente con un paño seco.
7. No obstruya las aberturas para ventilación. Instálelo de acuerdo con las instrucciones del fabricante.
8. No instale cerca de fuentes de calor, como radiadores, rejillas de calefacción, estufas u otros aparatos (incluso amplificadores) que produzcan calor.
9. No desafíe el fin de seguridad del enchufe polarizado o de conexión a tierra. Un enchufe polarizado tiene dos clavijas y una es más ancha que la otra. El enchufe de conexión a tierra tiene dos clavijas, y una tercera punta a tierra. La clavija ancha o la tercera punta se suministran para su seguridad. Si el enchufe suministrado no coincide con su tomacorriente, consulte con un electricista para reemplazar el tomacorriente obsoleto.
10. Evite pisar o apretar el cable de alimentación, especialmente en los enchufes, tomacorrientes y en el punto por donde salen del artefacto.
11. Utilice sólo los complementos y accesorios especificados por el fabricante.
12. Utilice la unidad sólo con el carro, soporte, trípode, repisa mesa recomendados por el fabricante, o que se vendan junto con el

producto. Cuando se utiliza un carro, tenga cuidado cuando mueva el carro y artefacto junto a para evitar lesiones producidas por la caída del producto.

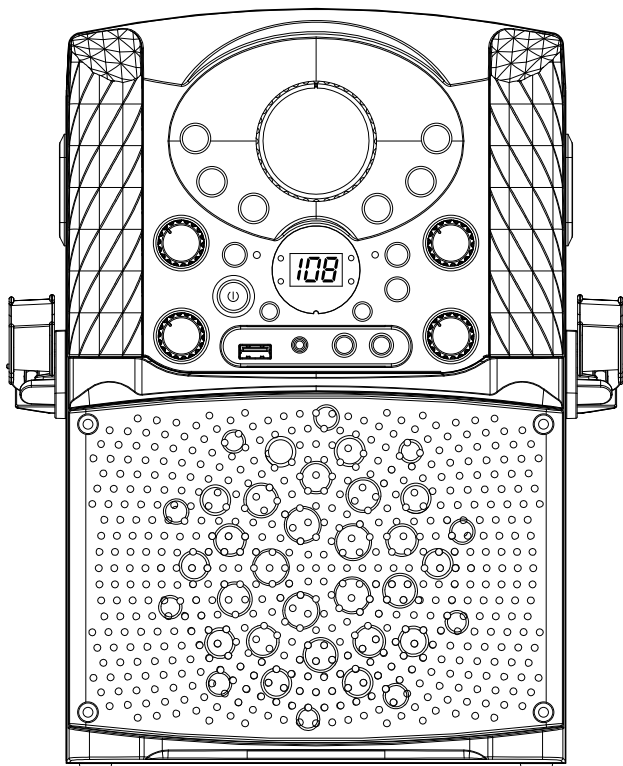
13. Desenchufe este artefacto durante las tormentas eléctricas o cuando no se lo utilice durante períodos prolongados.
14. Derive todas las reparaciones al personal de reparaciones calificado. Es necesario reparar el artefacto cuando se encuentra dañado, por ejemplo, cuando el cable de suministro de energía o el enchufe están dañados, cuando se derrama líquido sobre la unidad o caen objetos dentro del mismo, cuando el producto ha estado expuesto a la lluvia o a la humedad, cuando no funciona con normalidad o cuando se ha caído.
15. **ADVERTENCIA:** Para reducir el riesgo de incendio o descarga eléctrica, no exponga este artefacto a la lluvia o la humedad. No coloque objetos llenos de agua, como jarrones, sobre el aparato.
16. El enchufe de conexión de CA se utiliza como dispositivo de desconexión eléctrica y deberá estar siempre accesible y en funcionamiento durante el uso previsto. Para desconectar completamente el aparato de la electricidad, el enchufe de conexión deberá quitarse por completo del tomacorriente de CA.
17. **PRECAUCIÓN:** Para reducir el riesgo de incendio o explosión no exponga las baterías al calor excesivo, como al rayo del sol, fuego u otras fuentes de calor.

**ADVERTENCIA SOBRE EL CARRO PORTÁTIL**  
(símbolo provisto por RETAC)

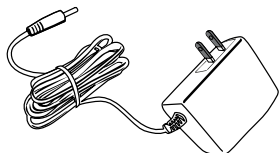


# Se incluyen

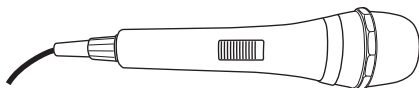
Contenido de la caja.



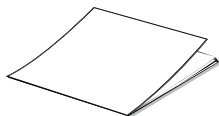
Unidad principal



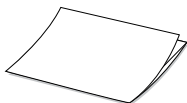
Adaptador de CA



Micrófono con cable



Manual

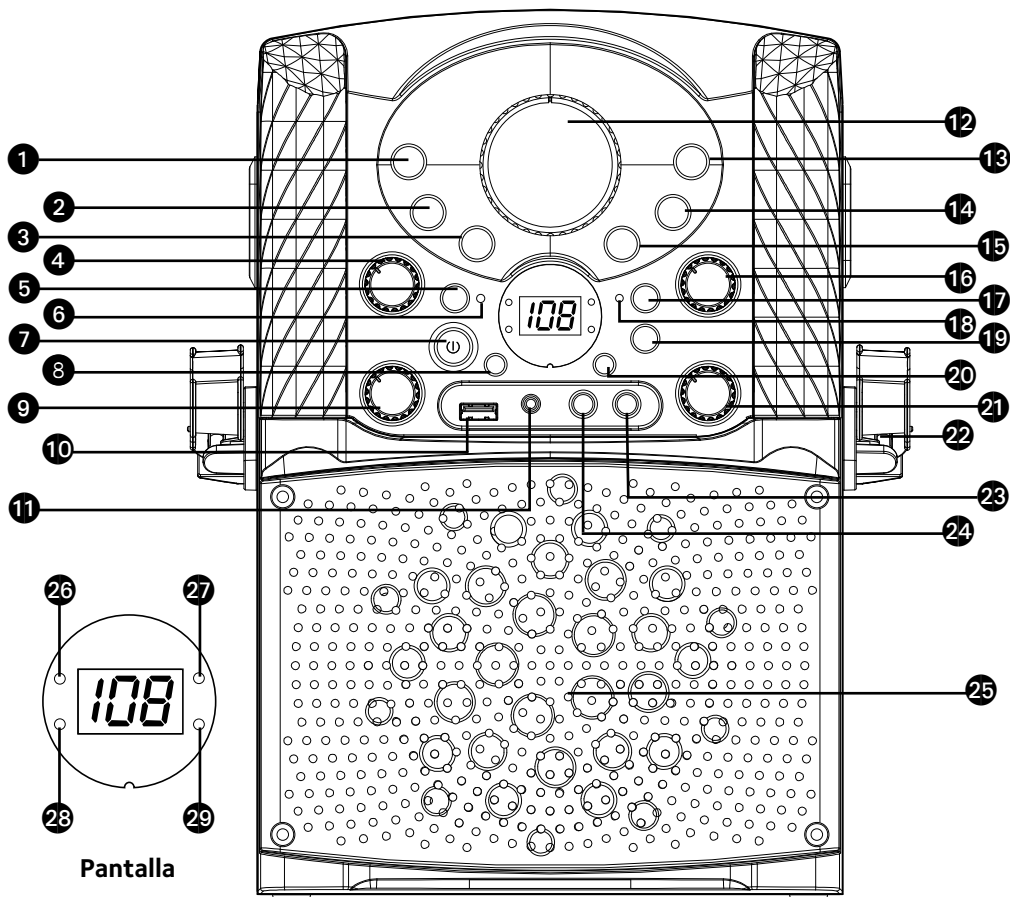


Kit de bienvenida



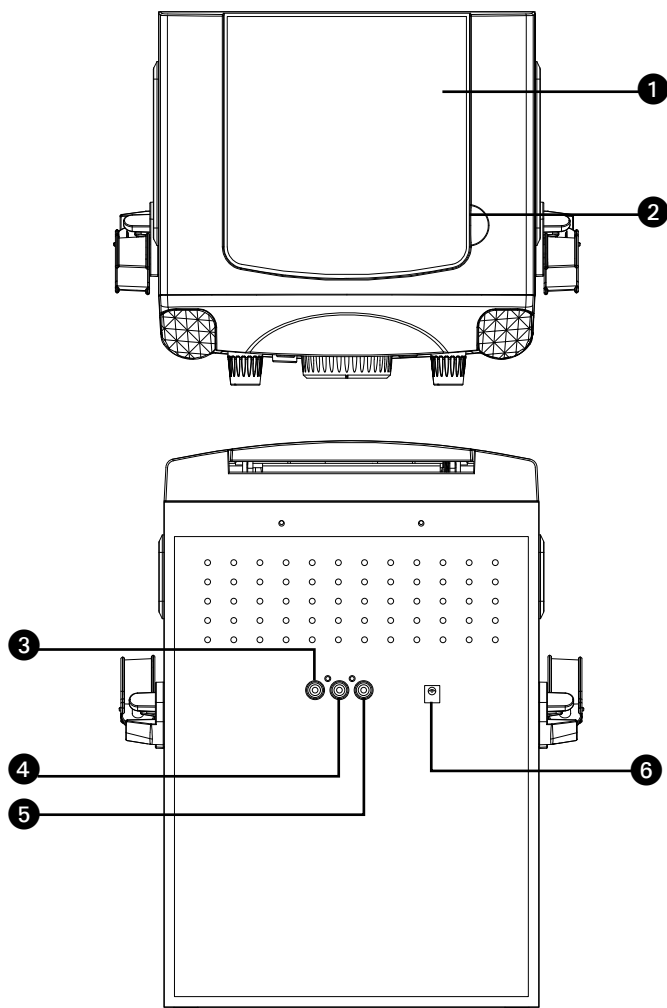
Cables de Audio/Video

# Ubicación de controles (delantero)



- |   |  |   |
|---|--|---|
| 1. Botón CDG/USB/BT   | 9. Control de BALANCE                                  | 18. Indicador de grabación                          |
| 2. BOTÓN DE PROGRAMAR/<br>REPETIR (PROGRAM/REPEAT)            | 10. Puerto USB   | 19. Botón LUZ DE DISCO                              |
| 3. Botón de Saltar anterior (Skip<br>Back) ⏮                  | 11. Conector de ENTRADA DE<br>LÍNEA                    | 20. Botón de Saltar 10+ (MP3)                       |
| 4. BOTÓN CONTROL DE VOZ<br>AUTOMÁTICO (AUTO VOICE<br>CONTROL) | 12. Control de VOLUMEN<br>PRINCIPAL (MASTER<br>VOLUME) | 21. Control de ECO (ECHO)                           |
| 5. BOTÓN DE<br>EMPAREJAMIENTO DE<br>BLUETOOTH                 | 13. Botón Reproducir/Pausar<br>(Play/Pause) ▶          | 22. Porta micrófono                                 |
| 6. INDICADOR DE BLUETOOTH                                     | 14. Botón de Detener (Stop) ■                          | 23. Conector para micrófono 2                       |
| 7. Botón de ENCENDIDO/<br>APAGADO (ON/OFF)                    | 15. Botón Salto hacia adelante ⏭<br>(Skip Forward)     | 24. Conector para micrófono 1                       |
| 8. Botón de SALTAR 10- (MP3)                                  | 16. Control de VOLUMEN DEL<br>MICRÓFONO (MIC VOLUME)   | 25. Altavoz   |
|   | 17. Botón de GRABAR (RECORD)                           | 26. Indicador CDG                                   |
|   |  | 27. Indicador de Reproducir/<br>Pausar (Play/Pause) |
|   |  | 28. Indicador de PROGRAMA<br>(PROGRAM)              |
|   |  | 29. Indicador de REPETICIÓN<br>(REPEAT)             |

# Ubicación de los controles (Superior/reverso)



## VISTA SUPERIOR

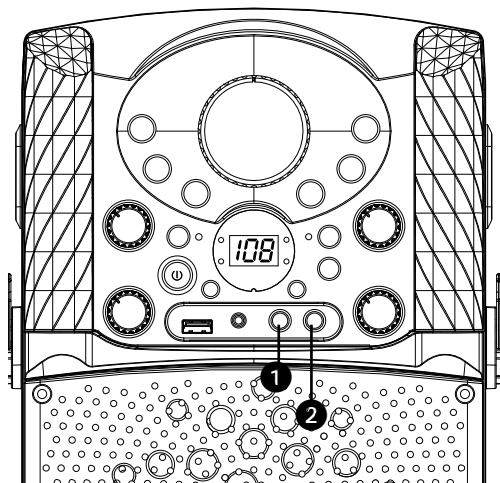
1. Tapa del CD
2. CD abierto

## Reverso

3. SALIDA DE VIDEO
4. SALIDA DE AUDIO (R)
5. SALIDA DE AUDIO (L)
6. Conector de entrada de CC (5.8V)

# Conexión

## Conexión de micrófono(s)

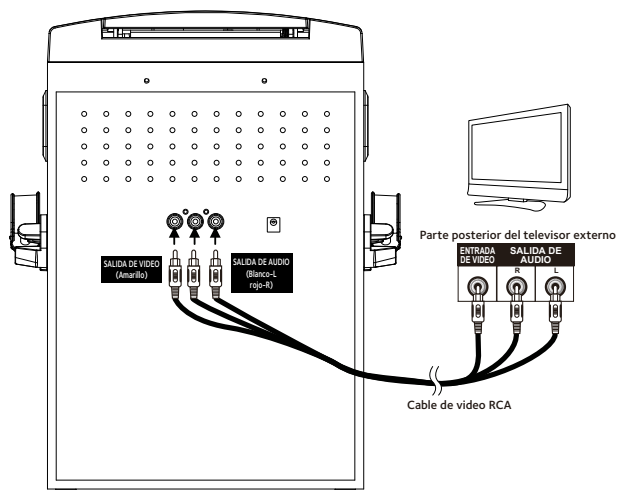


### Micrófonos:

Conecte un micrófono en la entrada para micrófono 1 y el otro micrófono en la entrada para micrófono (si lo desea).

**Nota:** No arroje o dé golpecitos al micrófono, puede dañar el micrófono o los parlantes. No gire el micrófono por el cable porque causará daños al cable interno.

## Conexión de la unidad a un televisor



Para que se reproduzca el video, las letras y el audio en su televisor, siga los siguientes pasos:

Conecte el cable de video RCA (amarillo) a la SALIDA DE VIDEO (VIDEO OUT) y los cables de audio (blanco y rojo) a las SALIDAS DE AUDIO (AUDIO OUT) ubicadas en la parte trasera de la máquina Singing Machine.

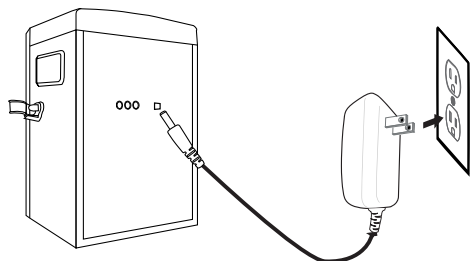
Conecte el otro extremo del cable de video RCA (amarillo) a la ENTRADA DE VIDEO (VIDEO IN) y los cables de audio (blanco y rojo) a la ENTRADA DE AUDIO (AUDIO IN) de su televisor.

### Notas:

- Esta unidad puede utilizarse con o sin televisor, pero es altamente recomendable usar uno para aprovechar todas las funciones.
- También consulte la Guía de usuario del televisor.
- Para ver las letras de canciones en la pantalla, debe usar un disco CD+G.

# Conexión

## Conexión de corriente

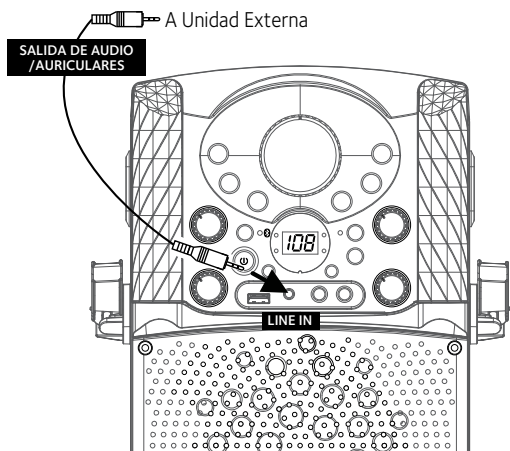


Introduzca el cable de corriente de CA en un tomacorriente de CA con 120V de CA, 60 Hz.

### **Nota:**

Haga todas las conexiones antes de enchufar a la corriente de CA.

## Conexión a entrada de línea

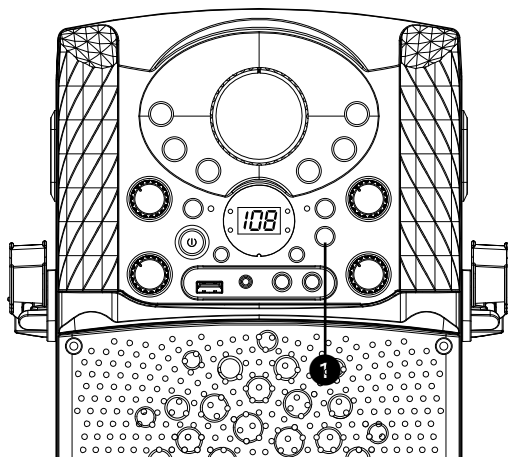


Conecte su dispositivo externo utilizando un cable adecuado (no se incluye el cable de audio de 3,5mm) como se muestra.

### **Nota:**

Consulte la página S17 para seleccionar y utilizar la función de entrada de línea.

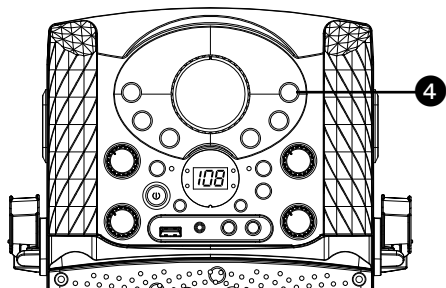
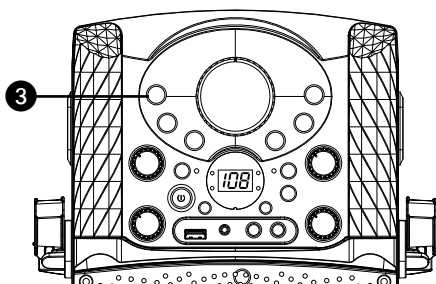
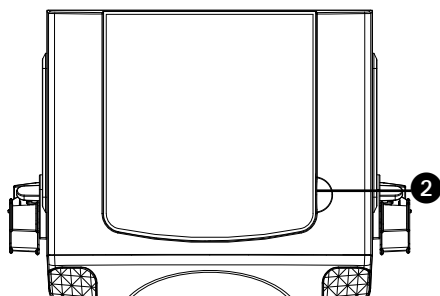
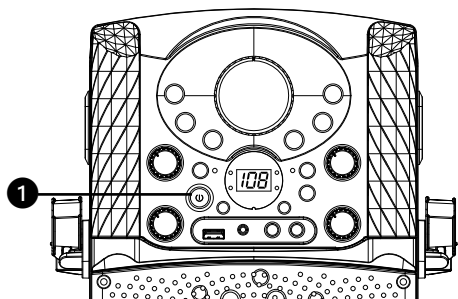
## Luces de disco



- 1 Oprima el botón **LUZ (LIGHT)** para encender el efecto de luz, oprímalo nuevamente para apagarlo.

# Funcionamiento

## Reproducción de un CDG



1 Conecte la unidad como se describió antes; si utiliza CD+G, se recomienda que conecte un televisor (consulte la página S5). Oprima el botón de **ENCENDIDO/APAGADO (ON/OFF)** para encender la unidad.

2 Abra el compartimiento de CD e introduzca un CD o un CD+G presionándolo cuidadosamente en el husillo central. Cierre la tapa del CD.

### Nota:

#### • ¿Qué es un CD+G?

Un CD+G (CD+ Graphics), es el formato estándar para la mayoría de los discos de karaoke que mostrarán las letras de canciones en pantalla.

• Nunca coloque nada que no sea un CD en el compartimiento, como por ejemplo objetos extraños que puedan dañar la unidad.

• Si no introduce un disco, "NO DISC" aparecerá en la pantalla de LCD.

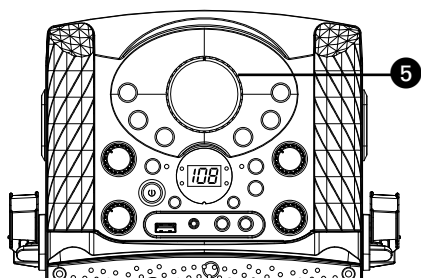
• Si se conecta a un televisor u otra fuente de audio, ajuste el volumen del televisor con su propio control de volumen.

3 Presione varias veces el botón **CDG/USB/BT** para seleccionar el modo CDG/CD; aparecerá "--" cuando busque el disco. Luego, aparecerá la cantidad total de pistas. Cuando se introduce un disco CDG, la luz indicadora de CDG se iluminará.

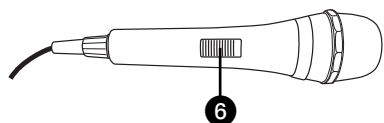
4 Presione **REPRODUCIR/PAUSAR (PLAY/PAUSE ► II)** para comenzar la reproducción; si está escuchando un archivo CD+G, en la pantalla del televisor aparecerá la imagen y la letra (si está conectado) y se encenderá la luz indicadora de REPRODUCIR/PAUSAR (PLAY/PAUSE).

# Funcionamiento

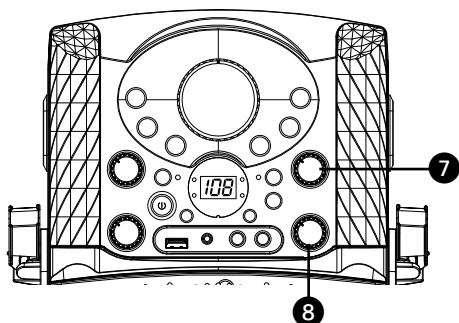
## Reproducción de un CDG (Continuación)



5 Ajuste el volumen a un nivel conveniente, usando el control de **VOLUMEN PRINCIPAL**.



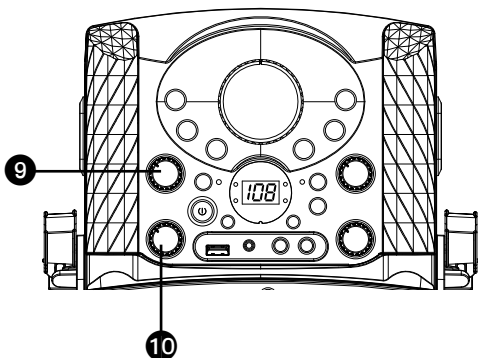
6 Conecte los micrófonos y ubique el interruptor de ENCENDIDO/APAGADO (ON/OFF) del micrófono en la posición de ENCENDIDO (ON).



7 Ajuste el control de **VOLUMEN DEL MICRÓFONO (MIC VOLUME)** hasta el nivel deseado. Al aumentar el nivel de este control se incrementará el volumen de los dos micrófonos.

8 Gire el control de **ECO (ECHO)** para darle un efecto de eco a su voz. Gire hacia MAX para aumentar el efecto de eco.

9 Puede activarse el control de **AVC (Control Automático de Voz)** girando este control. Cuanto más alto se ajuste este control, más se silenciarán las voces de la grabación multiplex cuando el cantante comience a cantar ante el micrófono. Cuando el cantante deje de cantar, las voces grabadas en la grabación multiplex volverán a la normalidad.



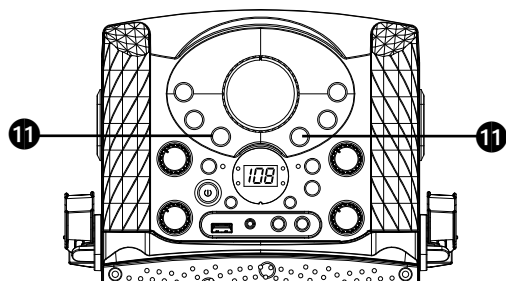
10 Gire el control **BALANCE** hacia la derecha para escuchar la música y las voces grabadas en una grabación multiplex o hacia la izquierda para escuchar solamente la música en una grabación multiplex.

**Nota:** Para usar el control BALANCE, debe utilizarse un disco CD+G, de lo contrario funcionará como un control de balance estándar.

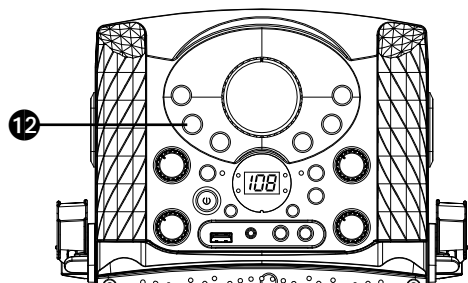


# Funcionamiento

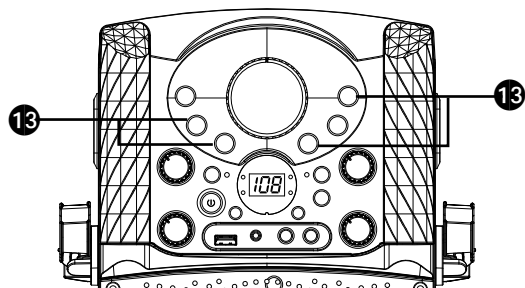
## Reproducción de un CDG (Continuación)



**11 SALTO:** Avance o retroceda una pista oprimiendo los botones de Salto ◀◀/ ▶▶.



**12 FUNCIÓN REPETIR:** Durante la reproducción, presione **REPETIR/ PROGRAMAR (REPEAT/ PROGRAM)** una vez para que se reproduzca varias veces la canción seleccionada; el indicador Repetir (Repeat) parpadeará. Presione el botón **REPETIR/ PROGRAMAR (REPEAT/ PROGRAM)** una segunda vez para que se reproduzca varias veces el CD completo; el indicador Repetir (Repeat) quedará encendido y fijo. Presiónelo nuevamente para cancelar la función Repetir, el indicador REPETIR (REPEAT) se apagará.



**13 PROGRAMAR:** Puede programar hasta 20 pistas de cualquier disco para reproducir en el orden deseado. Mientras se encuentre en el modo Detener (Stop), presione **REPETIR/ PROGRAMAR (REPEAT/ PROGRAM)**; el indicador Programar (Program) parpadeará y aparecerá "P00". Seleccione la primera pista con los botones **Salto hacia atrás/adelante** ◀◀/ ▶▶. Presione **REPETIR/ PROGRAMAR (REPEAT/ PROGRAM)** nuevamente para confirmar la entrada. Después de seleccionar las pistas deseadas, la pantalla mostrará P01, P02, etc. reconociendo que las pistas seleccionadas se han programado y el indicador de programa se iluminará con luz roja fija. Repita hasta agregar un máximo de 20

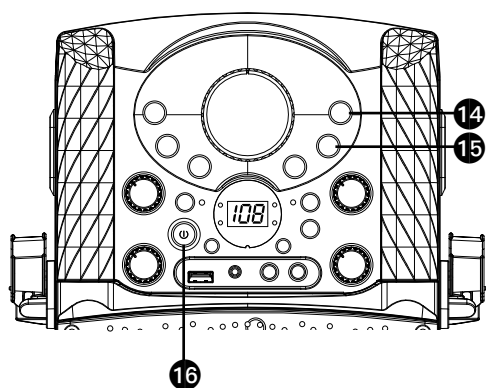
# Funcionamiento

## Reproducción de un CDG (Continuación)

pistas a la memoria. Al finalizar, presione el botón **REPRODUCIR/ PAUSAR (PLAY/PAUSE ►||)** para comenzar la reproducción.

### Nota:

- Oprima **DOS VECES DETENER (STOP ■)** para detener y eliminar el programa.



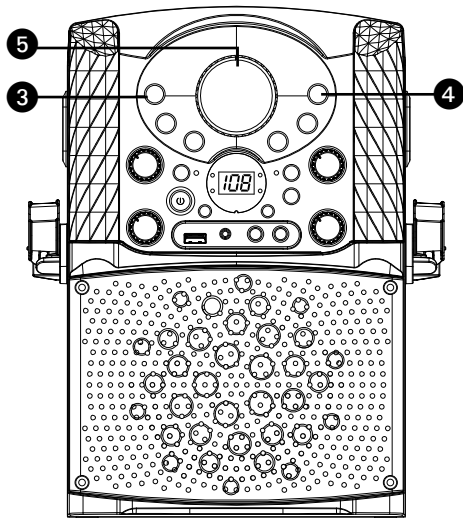
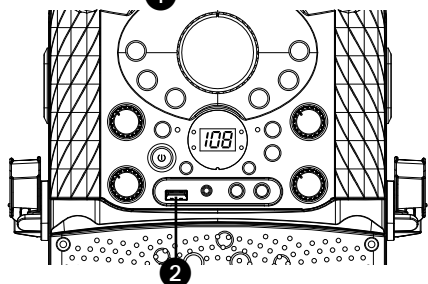
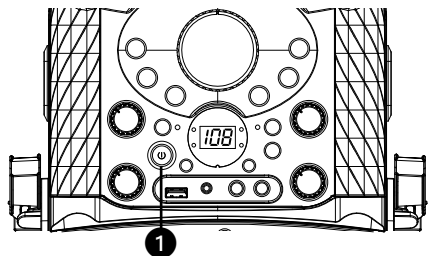
**14 PAUSAR (PAUSE):** Durante la reproducción, si desea pausar momentáneamente el disco, oprima **REPRODUCIR/ PAUSAR (PLAY/PAUSE ►||)**; el indicador REPRODUCIR/PAUSAR (PLAY/PAUSE) parpadeará. Oprima nuevamente para reanudar la reproducción normal.

**15** Oprima **DETENER (STOP ■)** para detener la reproducción.

**16** Oprima **ENCENDIDO/APAGADO (ON/OFF)** para apagar la unidad.

# Funcionamiento

Reproducir canciones desde el USB



1 Conecte la unidad como se describió previamente. Oprima **ENCENDIDO/ APAGADO (ON/OFF)** para encender la unidad.

2 Introduzca un dispositivo flash USB en el puerto USB de la unidad de forma tal que esté hacia arriba. Asegúrese de descargar música de la tienda de karaoke; consulte la página S21.

3 Presione varias veces el botón **CDG/USB/BT** para seleccionar el modo USB; aparecerá "LEER USB" (READ USB) cuando busque el dispositivo y después aparecerá la cantidad total de archivos.

**Nota:** No se puede acceder al modo USB hasta que no se introduce un dispositivo flash.

4 Presione el botón **REPRODUCIR/ PAUSA (PLAY/PAUSE ▶||)** para comenzar la reproducción. Si está escuchando un archivo MP3+G, la imagen y la letra aparecerán en la pantalla del televisor (si está conectado).

5 Ajuste el volumen a un nivel conveniente, usando el control de **VOLUMEN PRINCIPAL (MASTER VOLUME)**.

**Nota:** Si se conecta a un televisor u otra fuente de audio, ajuste el volumen del televisor con su propio control de volumen.