

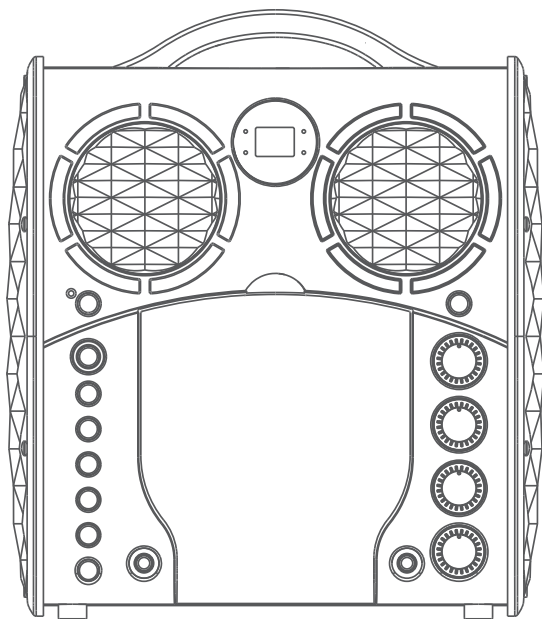


singing machine®

creating Joy through music™

SML418BK / SML418P



INSTRUCTION MANUAL / MANUAL DE INSTRUCCIONES
/ MODE D'EMPLOI



www.singingmachine.com

The Singing Machine® is a registered trademark of The Singing Machine Co., Inc.
The Singing Machine® es marca registrada de The Singing Machine Co., Inc.
The Singing Machine® est une marque déposée de The Singing Machine Co., Inc.

Warnings

	CAUTION RISK OF ELECTRIC SHOCK DO NOT OPEN	
CAUTION: TO REDUCE THE RISK OF ELECTRIC SHOCK, DO NOT REMOVE COVER (OR BACK). NO USER-SERVICEABLE PARTS INSIDE. REFER SERVICING TO QUALIFIED SERVICE PERSONNEL. The Caution marking is located on the rear panel.		



DANGEROUS VOLTAGE: The lightning flash with arrowhead symbol within an equilateral triangle is intended to alert the user to the presence of uninsulated dangerous voltage within the product's enclosure that may be of sufficient magnitude to constitute a risk of electric shock to persons.



ATTENTION: The exclamation point within an equilateral triangle is intended to alert the user to the presence of important operating and maintenance (servicing) instructions in the literature accompanying this product.

DRIPPING WARNING: This product shall not be exposed to dripping or splashing, and no objects filled with liquids, such as vases, shall be placed on the product.

VENTILATION WARNING: The normal ventilation of the product shall not be impeded for intended use.

THIS PRODUCT COMPLIES WITH DHHS RULES 21 CFR CHAPTER 1, SUBCHAPTER J APPLICABLE AT DATE OF MANUFACTURED.

Warnings:

- This CD player employs a laser light beam. Only a qualified service person should remove the cover or attempt to service this device, due to possible eye injury.
- The use of controls, adjustments, or procedures other than those specified herein might result in hazardous radiation exposure.
- The apparatus shall be used in an open area.

CAUTION!

Invisible laser radiation when open and interlocks defeated. Avoid exposure to beam.

WARNING: TO PREVENT FIRE OR SHOCK HAZARD, DO NOT EXPOSE THIS UNIT TO RAIN OR MOISTURE.

FCC WARNING: This equipment may generate or use radio frequency energy. Changes or modifications to this equipment may cause harmful interference unless the modifications are expressly approved in the instruction manual. The user could lose the authority to operate this equipment if an unauthorized change or modification is made.

This device complies with part 15 of the FCC Rules. Operation is subject to the following two conditions: (1) This device may not cause harmful interference, and (2) this device must accept any interference received, including interference that may cause undesired operation.

NOTE: This equipment has been tested and found to comply with the limits for a Class B digital device, pursuant to part 15 of the FCC Rules. These limits are designed to provide reasonable protection against harmful interference in a residential installation. This equipment generates, uses and can radiate radio frequency energy and, if not installed and used in accordance with the instructions, may cause harmful interference to radio communications. However, there is no guarantee that interference will not occur in a particular installation. If this equipment does cause harmful interference to radio or television reception, which can be determined by turning the equipment off and on, the user is encouraged to try to correct the interference by one or more of the following measures:

- Reorient or relocate the receiving antenna.
 - Increase the separation between the equipment and receiver.
 - Connect the equipment into an outlet on a circuit different from that to which the receiver is connected.
 - Consult the dealer or an experienced radio/TV technician for help.
- The rating information is located at the back of the unit.

INDUSTRY CANADA NOTICE:

This device contains licence-exempt transmitter(s)/receiver(s) that comply with Innovation, Science and Economic Development Canada's licence-exempt RSS(s). Operation is subject to the following two conditions:

- (1) This device may not cause interference.
- (2) This device must accept any interference, including interference that may cause undesired operation of the device.

CAN ICES-3(B)/NMB-3(B)

Important Safety Information

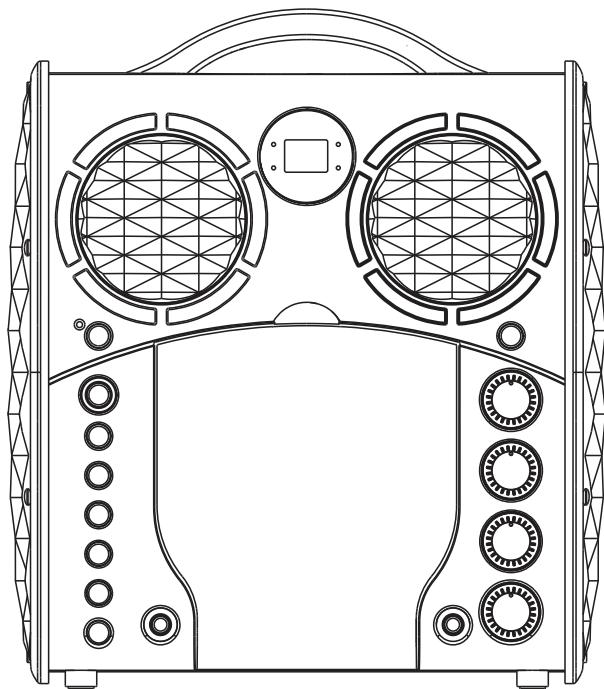
1. Read these Instructions.
2. Keep these Instructions.
3. Heed all Warnings.
4. Follow all Instructions.
5. Do not use this apparatus near water.
6. Clean only with a dry cloth.
7. Do not block any of the ventilation openings. Install in accordance with the Manufacturer's instructions.
8. Do not install near any heat sources such as radiators, heat registers, stoves, or other apparatus (including amplifiers) that produce heat.
9. Do not defeat the safety purpose of the polarized or grounding-type plug. A polarized plug has two blades with one wider than the other. A grounding type plug has two blades and a third grounding prong. The wide blade or the third prong are provided for your safety. When the provided plug does not fit into your outlet, consult an electrician for replacement of the obsolete outlet.
10. Protect the power cord from being walked on or pinched particularly at plugs, convenience receptacles, and the point where they exit from the apparatus.
11. Only use attachments/accessories specified by the manufacturer.
12. Use only with a cart, stand, tripod, bracket, or table specified by the manufacturer, or sold with the apparatus. When a cart is used, use caution when moving the cart/apparatus combination to avoid injury from tip-over.
13. Unplug this apparatus during lightning storms or when unused for long periods of time.
14. Refer all servicing to qualified service personnel. Servicing is required when the apparatus has been damaged in any way, such as power-supply cord or plug is damaged, liquid has been spilled or objects have fallen into the apparatus, the apparatus has been exposed to rain or moisture, does not operate normally, or has been dropped.
15. **WARNING:** To reduce the risk of fire or electric shock, do not expose this apparatus to rain or moisture. Do not place objects filled with water, such as a vase, on the apparatus.
16. The AC mains plug is used as the power disconnect device and it should remain readily accessible and operable during intended use. In order to completely disconnect the apparatus from power, the mains plug should be completely removed from the AC outlet socket.
17. **CAUTION:** To reduce the risk of fire or explosion, do not expose batteries to excessive heat such as sunshine, fire or other heat sources.

PORTABLE CART WARNING
(symbol provided by RETAC)

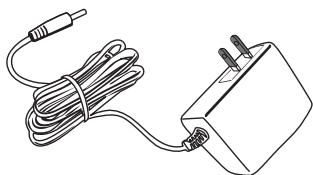


Included

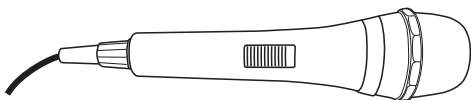
What's in the box.



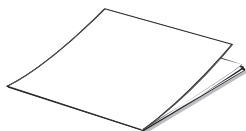
Main Unit



AC Adapter



Wired Microphone

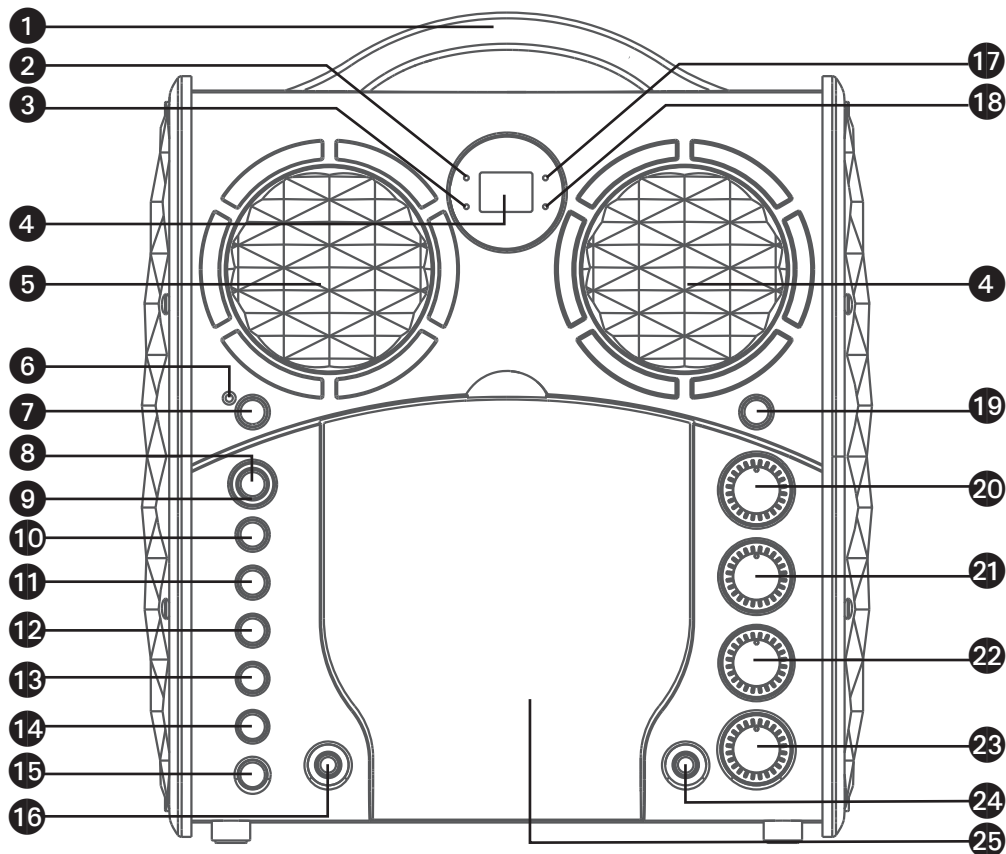


Manual



Audio/Video Cables

Location of Controls (Front)

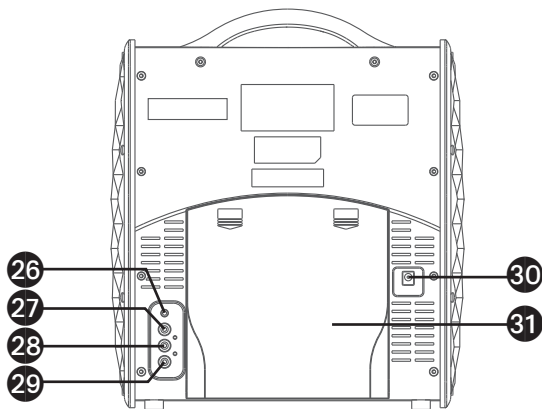


- 1. Handle
- 2. PLAY/PAUSE indicator
- 3. CDG indicator
- 4. Display
- 5. Speaker
- 6. Bluetooth indicator
- 7. Bluetooth button
- 8. ON/OFF button
- 9. Power indicator

- 10. PLAY/PAUSE  button
- 11. STOP  button
- 12. SKIP  Button
- 13. SKIP  Button
- 14. FUNCTION button
- 15. REPEAT/PROGRAM button
- 16. MIC 1 jack
- 17. REPEAT indicator

- 18. PROGRAM indicator
- 19. LIGHTS button
- 20. MASTER VOLUME control
- 21. ECHO control
- 22. MIC 1 VOLUME control
- 23. MIC 2 VOLUME control
- 24. MIC 2 jack
- 25. CD Compartment

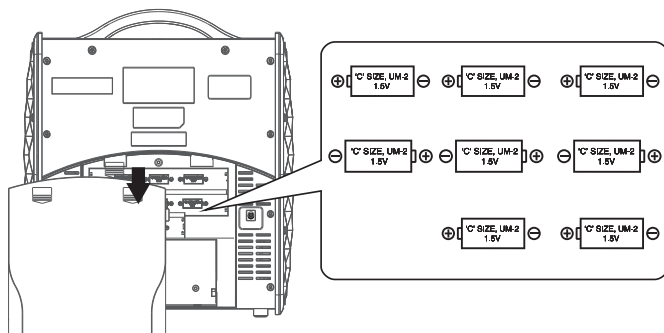
Location of Controls (Rear)



- 26. LINE IN Jack
- 27. VIDEO OUT jack
- 28. AUDIO OUT jack (R)
- 29. AUDIO OUT jack (L)
- 30. DC IN Jack
- 31. Battery Compartment

Connection

Installation of Batteries



DC OPERATION

1. Slide the battery door in the direction of the arrow to reveal the battery compartment.
Insert eight (8) "C" size alkaline batteries (not included) as indicated on the diagram.
2. Replace cover tightly before operating.

CAUTIONS:

- Replace all batteries at the same time.
- Do not mix old batteries with new batteries.

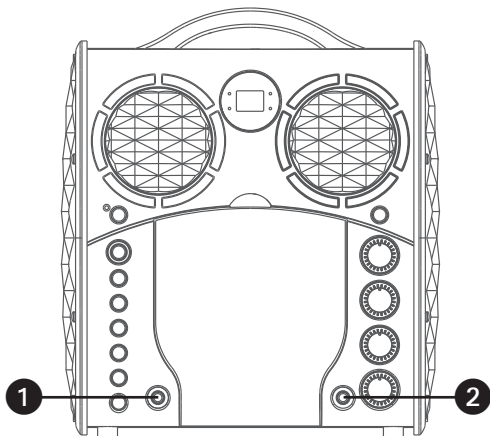
Battery Precautions

The precautions below should be followed when using batteries in this device:

1. Use only the size and type of batteries specified.
2. Be sure to follow the correct polarity when installing the batteries as indicated in the battery compartment. Reversed batteries may cause damage to the device.
3. Do not mix different types of batteries together (e.g. Alkaline and Carbon Zinc) or old batteries with fresh ones.
4. If the device is not to be used for a long period of time, remove the batteries to prevent damage or injury from possible battery leakage.
5. Do not try to recharge batteries not intended to be recharged, they can overheat and rupture. (Follow battery manufacturer's directions.)
6. Rechargeable batteries are to be removed from the product before being charged.
7. Rechargeable batteries are only to be charged under adult supervision.
8. Exhausted batteries are to be removed from the product.
9. Batteries shall not be exposed to excessive heat such as sunshine, fire or the like.

Connection

Connecting the Microphone(s)

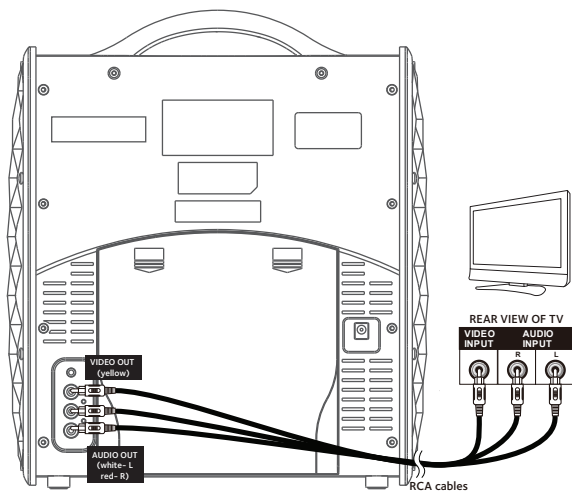


Microphones:

Connect a microphone into Mic jack 1 as well as Mic jack 2 (when desired).

Note: Do not drop or tap the Mic as damage to the Mic or speakers may occur. Do not twirl the microphone cord as it will cause damage to the encased wiring.

Connecting the Unit to a TV



To output the video, lyrics and audio to your TV, follow these steps:

Connect the RCA video cable (Yellow) to the VIDEO OUT jack and the audio cables (White and Red) to the AUDIO OUT jacks located on the back of the Singing Machine.

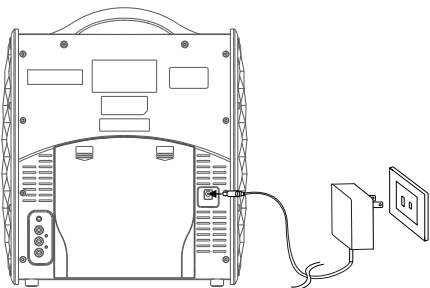
Connect the opposite end of the RCA video cable (Yellow) to the VIDEO IN jack and the audio cables (White and Red) to the AUDIO IN on your TV.

Notes:

- This unit can be used with or without a TV, but it is highly recommended to use a TV in order to utilize all the features.
- Also refer to the TV's User Guide.
- To see the lyrics on the screen, you must use a CD+G disc.

Connection

Connecting to AC Power

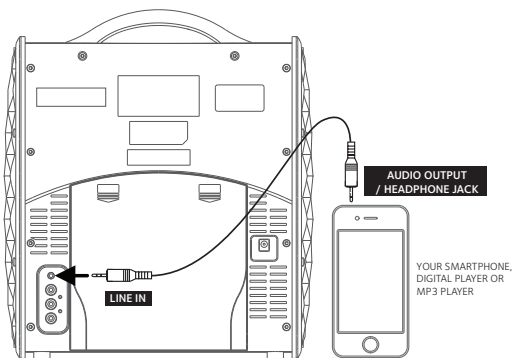


Insert the AC power cord into an AC outlet having 120V AC, 60Hz.

Note:

Make all connections before connecting to AC power.

Connecting to Line In Jack

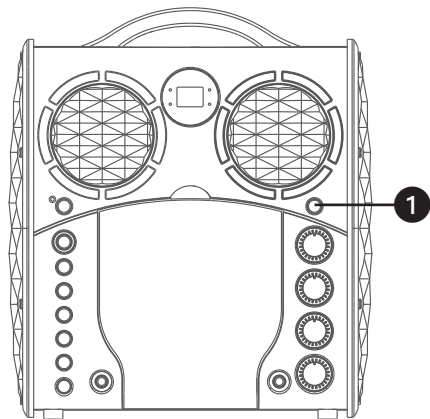


Connect an external device by using an appropriate cable (3.5mm audio cable not included) as shown.

Note:

See page E12 to select and use the Line In function.

Glowing Mood Lights



1

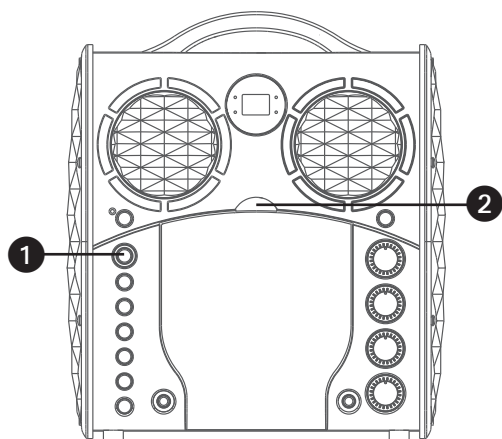
When the unit is turned on, the Light mode 1 is automatically activated. The lights will light up and will synchronize with sound when you speak or sing into the microphone.

Press the **LIGHTS** button for Light mode 2 which will display the light show but will not respond to the microphone.

Press the **LIGHTS** button once again to turn off the Lights.

Operation

Playing a CDG



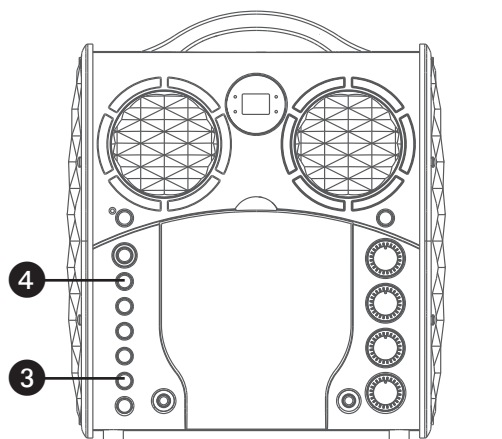
1 Connect the unit as described previously; if using a CD+G, it is recommended to connect to a TV. Press the power **ON/OFF** button to turn the unit on.

2 Lift open the CD door and insert a CD or a CD+G by gently pressing it on the center spindle. Then close the CD door.

Note:

• What is a CD+G?

- A CD+G (CD+Graphics) is the standard format for most karaoke discs that will display the words on the screen.
- Never place anything other than a CD in the compartment, as foreign objects can damage the unit.
- If no disc is inserted, "no" will appear on the display.
- If connected to a TV and/or other audio source, adjust the volume of the external unit using its own volume control.

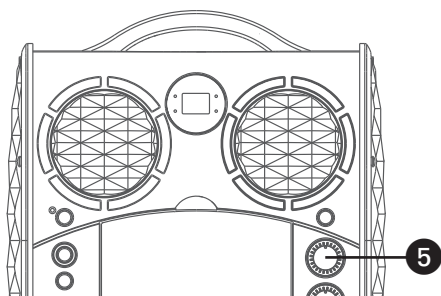


3 Repeatedly press the **FUNCTION** button to select the CDG mode; "--" will appear when searching the disc and then the total number of tracks will appear.

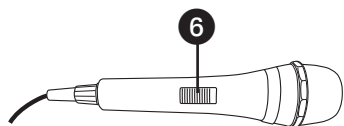
4 Press the **PLAY/PAUSE** button to start playback; if listening to a CD+G file, the image and lyrics will appear on the TV screen (if connected) and the PLAY/PAUSE indicator light will turn on.

Operation

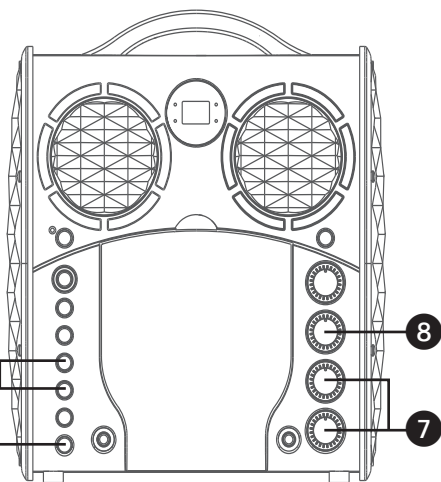
Playing a CDG (Continued)



- 5 Adjust the volume to a comfortable level using the **MASTER VOLUME** control.



- 6 Connect microphone(s) and slide the **ON/OFF** switch on the microphone to the ON position.



- 7 Adjust the **MIC VOLUME 1** or **2** control as desired. Increasing this will increase the volume of the respective microphone.

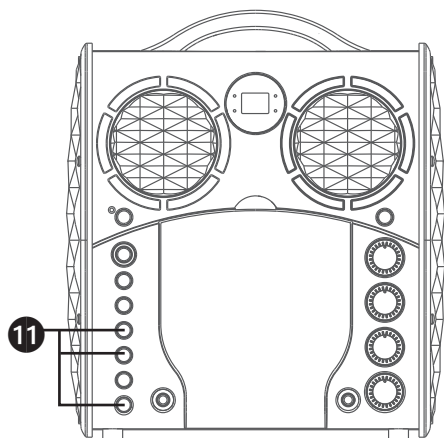
- 8 Rotate the **ECHO** control to add an echo effect to your voice. Rotate towards **MAX** to increase the echo effect.

- 9 **SKIP:** Advance or go back one track by pressing the **Skip** **⏮/Skip** **⏭** buttons.

- 10 **REPEAT:** During playback, press the **REPEAT/PROG** button once to repeatedly play the selected song; the REPEAT indicator will blink. Press the **REPEAT/PROG** button a second time to repeatedly play the whole CD; the REPEAT indicator will light solid. Press it again to cancel Repeat function, the REPEAT indicator turns off.

Operation

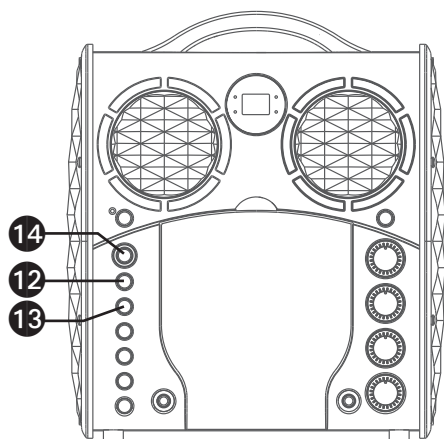
Playing a CDG (Continued)



- 11 PROGRAM:** You can program up to 20 tracks on any disc for playback in any desired order. While in the Stop mode, press the **REPEAT/PROG** button; the PROGRAM indicator will blink and “01” will appear. Select the first track using the **Skip ◀/Skip ▶** buttons. Press the **REPEAT/PROG** button again to confirm the entry. After selecting the desired tracks the display will show 02, 03, etc. recognizing the tracks selected have been programmed. Repeat to set up to 20 tracks into memory. When done, press the **PLAY/PAUSE** button to start playback.

Note:

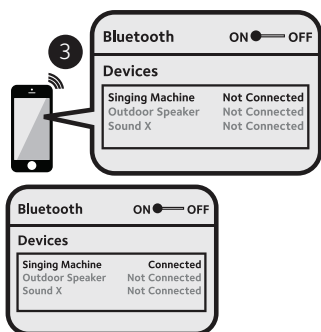
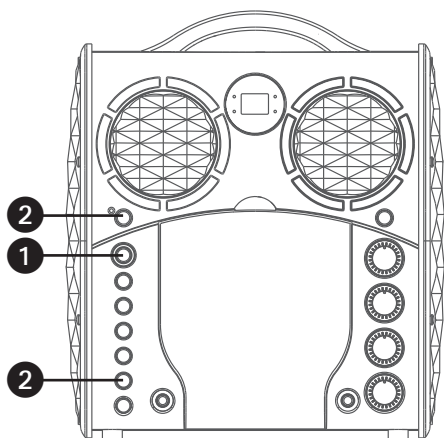
- Press the **STOP** button TWICE to stop and clear the program.





- 12 PAUSE:** During playback, if you wish to pause the disc momentarily, press the **PLAY/PAUSE** button; the PLAY/PAUSE indicator will blink. Press again to resume normal playback.
- 13** Press the **STOP** button to stop playback.
- 14** Press the power **ON/OFF** button to turn the unit off.

Operation

Using a Bluetooth Device



- 1 Connect the unit as described previously. Press the power **ON/OFF** button to turn the unit on.
- 2 Press the  button or repeatedly press the **FUNCTION** button to select the Bluetooth mode; “bt” will blink in the display as the unit automatically searches for and pairs a previously paired Bluetooth device (if previously paired). If no previously paired devices are present, connect as shown in the next step.

Note: You can also press and hold the  button to disconnect any paired devices in order to pair another device.

- 3 Turn on your device’s Bluetooth option in settings to search for a discoverable device with a Bluetooth signal. Select “**Singing Machine**” from the device results on the Bluetooth menu.

Note: Also refer to the user manual of your Bluetooth device for detailed instructions.

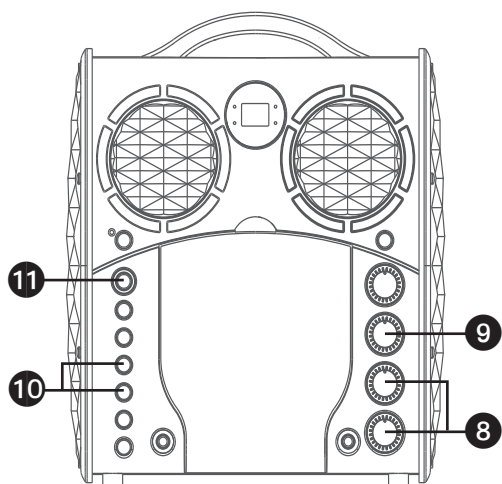
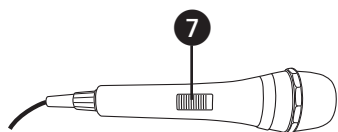
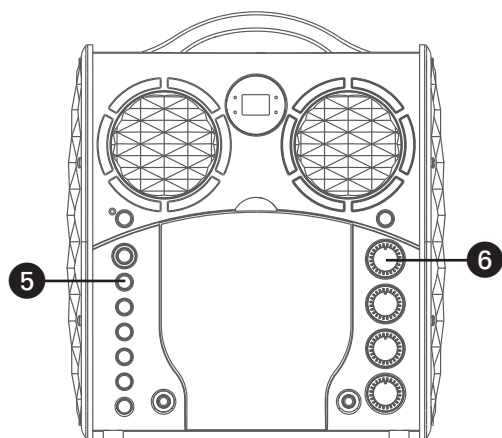
- 4 “bt” will light solid in the display and a successful pairing sound will be heard.

Notes:

- If your Bluetooth prompts you for a passcode during the pairing process, please enter “0000” to connect.
- On some Bluetooth devices, once pairing is complete, select your Bluetooth device as “Use as Audio Device” or similar.
- If connection is lost after successful pairing, check to make sure the distance between speaker and Bluetooth-enabled device does not exceed 30 feet/10 meters.
- “Bluetooth” will blink on TV screen, and will stop blinking after successful connection.

Operation

Using a Bluetooth Device (Continued)



5 To control your Bluetooth device from this unit, press the **PLAY/PAUSE** button to start playback. Press the **PLAY/PAUSE** button during playback to pause the song.

6 Adjust the volume to a comfortable level using the **MASTER VOLUME** control on this unit as well as the volume on your Bluetooth device.

7 Connect microphone(s) and slide the **ON/OFF** switch on the microphone to the ON position.

8 Adjust the **MIC VOLUME 1** or **2** control as desired. Increasing this will increase the volume of the respective microphone.

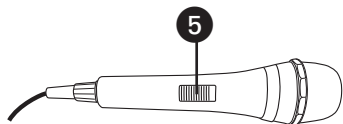
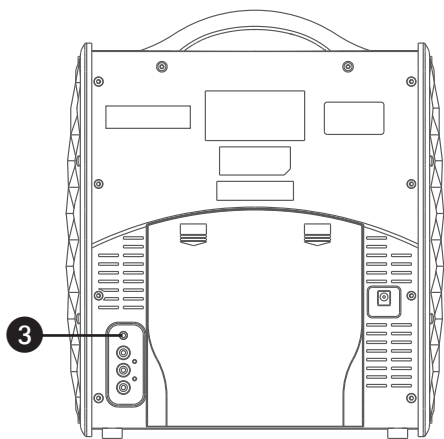
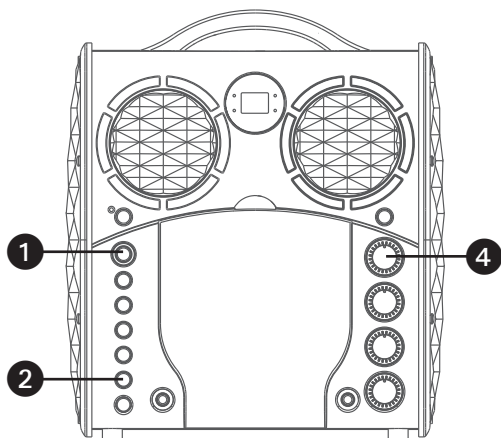
9 Rotate the **ECHO** control to add an echo effect to your voice. Rotate towards **MAX** to increase the echo effect.

10 **SKIP:** Advance or go back one track by pressing the **Skip** **⏮/Skip** **⏭** buttons.

11 Press the power **ON/OFF** button to turn the unit off.

Operation

Using the LINE IN Jack



- 1 Connect the unit as described previously. Press the power **ON/OFF** button to turn the unit on.
- 2 Repeatedly press the **FUNCTION** button to select the LINE IN mode; "AU" will appear on the display.

- 3 Connect the external unit to the LINE IN Jack on the back of this unit. Connecting an external unit will allow the audio to be played through your Singing Machine.

Notes:

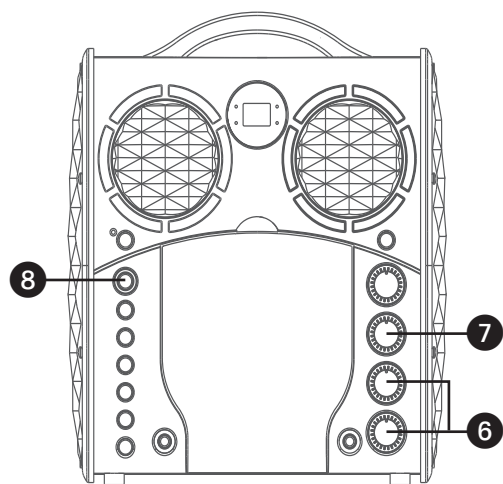
- It is highly recommended to set the volume on the auxiliary unit to 1/3 or lower to avoid distortion.
- Skipping files/tracks is not possible on this unit when using an external device.

- 4 Adjust the volume using the **MASTER VOLUME** control on this unit or your external device's volume control.

- 5 Connect microphone(s) and slide the **ON/OFF** switch on the microphone to the ON position.

Operation

Using the LINE IN Jack (Continued)



6 Adjust the **MIC VOLUME 1** or **2** control as desired. Increasing this will increase the volume of the respective microphone.

7 Rotate the **ECHO** control to add an echo effect to your voice. Rotate towards MAX to increase the echo effect.

8 Press the power **ON/OFF** button to turn the unit off.

Troubleshooting Guide

Should this unit exhibit a problem, check the following before seeking service:

No Power

- Power is not on; press the power **ON/OFF** button to turn power on.
- Confirm that the AC adapter is connected securely to the back of the unit.
- Connect the unit to a different outlet.

No Sound – General

- Master Volume is set to minimum; raise volume.
- Correct Function was not selected; select using the **FUNCTION** button.
- If using an external device, raise the volume.

No Sound – If connected to a TV

- Volume on the TV is muted or too low.
- Correct source (usually AV) was not selected on the TV's menu.

Lyrics do not appear on the TV screen

- If connected to a TV, Video plug is not connected properly; see page E5.
- If connected to a TV, select the correct source on the TV (usually AV).
- The file/track being played is not a track recording with lyrics. These are the only files that allow you to view the lyrics on the TV screen.
- Nothing will appear on the TV screen when using AUX In or Bluetooth.

No sound from the microphone

- Make sure the microphone is firmly connected to the MIC 1 or MIC 2 jack.
- Make sure the **ON/OFF** switch on the microphone is set to the ON position.
- Make sure the **MIC VOLUME** setting is not set too low.
- **MASTER VOLUME** is set to minimum; raise volume.
- Adjust the **ECHO** control past the mid point on the Singing Machine.

The Bluetooth device cannot be paired or connected with the unit

- You have not activated the Bluetooth function of your device; see page E10 or refer to the Bluetooth device user's manual.

The Music is not available on the unit after successfully connecting the Bluetooth

- Ensure your Bluetooth device can support the A2DP Bluetooth profile.
- The volume on the external Bluetooth device is set to low or muted; raise as desired.

Specifications

AUDIO

OUTPUT POWER (MAXIMUM)..... 2.5 Watts (RMS)
OUTPUT IMPEDANCE 4 Ohms

CD PLAYER SECTION

FREQUENCY RESPONSE 100 Hz - 20 kHz
SIGNAL-TO-NOISE RATIO 50 dB
NUMBER OF PROGRAMS..... 20 Step Random Access Programming

BLUETOOTH

Bluetooth Version V5.0
Working Distance..... Up to 30 feet/10 meters measured in open space

AUX IN SECTION 3.5 mm Stereo Headphone Jack
MICROPHONE -74 db 600 Ohm Impedance with 6.3 mm Dynamic Microphone

POWER SECTION 9V \equiv 1.2A \diamond \leftarrow \rightarrow \diamond (8 x "C" Batteries) (Batteries not included)

DIMENSIONS (HxWxD) 13.6 x 12.0 x 6.2 inches / 34.6 x 30.4 x 15.7 cm



WEIGHT..... 4.19 lbs / 1.90 kgs

Specifications are subject to change without notice.



The Bluetooth® word mark and logos are registered trademarks owned by Bluetooth SIG, Inc. and any use of such marks and logos by The Singing Machine Company, Inc. is under license. Other trademarks and trade names are those of their respective owners.

Advertencias

	PRECAUCIÓN RIESGO DE DESCARGA ELÉCTRICA NO ABRIR	
PRECAUCIÓN: PARA REDUCIR EL RIESGO DE DESCARGAS ELÉCTRICAS, NO quite la cubierta (ni la tapa posterior) NO HAY PIEZAS REPARABLES POR EL USUARIO DENTRO. DERIVE LAS REPARACIONES A PERSONAL DE SERVICIO CALIFICADO. Las marcas de Precaución se ubican en el panel inferior.		

ADVERTENCIA: PARA EVITAR INCENDIOS O PELIGROS DE DESCARGA, NO EXPONGA ESTA UNIDAD A LA LLUVIA O HUMEDAD.

VISO DE LA FCC: Este equipo puede generar o usar energía de radio frecuencia. Los cambios o modificaciones realizados en el aparato pueden provocar interferencia perjudicial, a menos que dichas modificaciones estén autorizadas en el manual de instrucciones. El usuario puede perder toda autoridad para operar el equipo si realiza cambios o modificaciones sin autorización.

Este aparato cumple con la parte 15 de las Normas de la FCC. El funcionamiento está sujeto a las dos condiciones que figuran a continuación: (1) Es probable que no cause interferencia perjudicial y (2) deberá aceptar cualquier interferencia recibida, incluyendo la interferencia que pueda llegar a causar un funcionamiento indeseado.

NOTA: Este equipo fue probado y se concluyó que cumple con los límites establecidos para los dispositivos digitales Clase B, de acuerdo con el Apartado 15 de las normas de la FCC. Estos límites fueron pensados para proporcionar protección razonable ante la interferencia perjudicial en una instalación residencial. Este equipo genera, usa y puede emitir energía de radio frecuencia y, si no se lo instala y utiliza de conformidad con las instrucciones, puede causar interferencia perjudicial a las comunicaciones radiales. No obstante, no existe ninguna garantía de que no se produzca interferencia en una instalación en particular. Si este equipo provoca interferencia perjudicial a la recepción de radio o televisión, lo cual puede determinarse apagando y encendiendo el equipo, el usuario puede intentar corregir la interferencia de alguna/s de las siguientes maneras:

- Reoriente la antena receptora o ubíquela en otro lugar.
- Aumente la distancia entre el equipo y el receptor.
- Conecte el equipo a un tomacorriente de un circuito distinto al que está conectado el receptor.
- Consulte al distribuidor o a un técnico experimentado de radio y televisión para que lo asesore.
- La información de clasificación está ubicada en la parte inferior de la unidad.

CAN ICES-3(B)/NMB-3(B)



TENSIÓN PELIGROSA: La luz intermitente con símbolo de flecha dentro de un triángulo pretende alertar al usuario de la presencia de tensión peligrosa no aislada, dentro del paquete del producto, que puede ser de magnitud suficiente para constituir un riesgo de descarga eléctrica para las personas.



ATENCIÓN: El signo de exclamación dentro de un triángulo pretende alertar al usuario de la presencia de instrucciones importantes de operación y mantenimiento (reparaciones) en el material que acompaña a este producto.

ADVERTENCIA DE GOTE: Este producto no se podrá exponer a goteo o salpicaduras, y no se colocará ningún objeto lleno con líquidos, como jarrones, encima del producto.

ADVERTENCIA DE VENTILACIÓN: La ventilación normal del producto no se bloqueará si se le da el uso previsto.

Este producto cumple con las normas DHHS 21 CFR del capítulo 1, subcapítulo J que aplican desde la fecha de fabricación.

Advertencias:

- Este reproductor de CD utiliza un haz de luz láser. Solo la persona de reparaciones calificada es quien puede retirar la cubierta y reparar este dispositivo debido a posibles lesiones en la vista.
- El uso de controles, ajustes o la realización de procedimientos que no sean los especificados en el presente pueden producir exposición a radiación peligrosa.
- El artefacto deberá utilizarse en un espacio abierto.

PRECAUCIÓN!

Si la caja se abre o el dispositivo de seguridad se destruye, puede producirse la emisión invisible de radiación láser. Evite la exposición al haz de luz.

Información importante sobre seguridad

1. Lea estas instrucciones.
2. Conserve estas instrucciones.
3. Preste atención a todas las advertencias.
4. Siga todas las instrucciones.
5. No utilice este artefacto cerca del agua.
6. Límpielo únicamente con un paño seco.
7. No obstruya las aberturas para ventilación. Instálelo de acuerdo con las instrucciones del fabricante.
8. No instale cerca de fuentes de calor, como radiadores, rejillas de calefacción, estufas u otros aparatos (incluso amplificadores) que produzcan calor.
9. No desafíe el fin de seguridad del enchufe polarizado o de conexión a tierra. Un enchufe polarizado tiene dos clavijas y una es más ancha que la otra. El enchufe de conexión a tierra tiene dos clavijas, y una tercera punta a tierra. La clavija ancha o la tercera punta se suministran para su seguridad. Si el enchufe suministrado no coincide con su tomacorriente, consulte con un electricista para reemplazar el tomacorriente obsoleto.
10. Evite pisar o apretar el cable de alimentación, especialmente en los enchufes, tomacorrientes y en el punto por donde salen del artefacto.
11. Utilice sólo los complementos y accesorios especificados por el fabricante.
12. Utilice la unidad sólo con el carro, soporte, trípode, repisa o mesa

recomendados por el fabricante, o que se vendan junto con el producto. Cuando se utiliza un carro, tenga cuidado cuando mueva el carro y artefacto junto a para evitar lesiones producidas por la caída del producto.

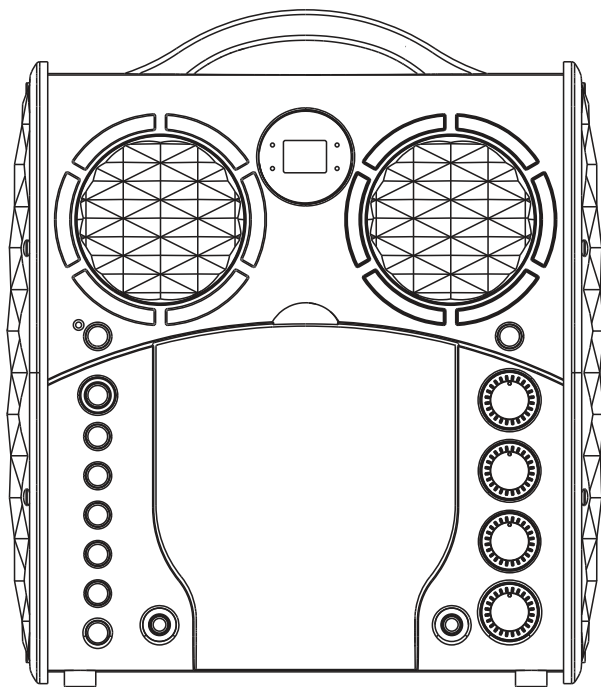
ADVERTENCIA SOBRE EL CARRO PORTÁTIL
(símbolo provisto por IRETAG)



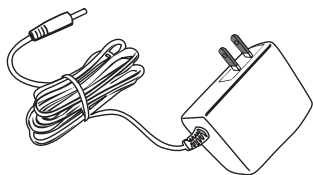
13. Desenchufe este artefacto durante las tormentas eléctricas o cuando no se lo utilice durante períodos prolongados.
14. Derive todas las reparaciones al personal de reparaciones calificado. Es necesario reparar el artefacto cuando se encuentra dañado; por ejemplo, cuando el cable de suministro de energía o el enchufe están dañados, cuando se derrama líquido sobre la unidad o caen objetos dentro del mismo, cuando el producto ha estado expuesto a la lluvia o a la humedad, cuando no funciona con normalidad o cuando se ha caído.
15. **ADVERTENCIA:** Para reducir el riesgo de incendio o descarga eléctrica, no exponga este artefacto a la lluvia o la humedad. No coloque objetos llenos de agua, como jarrones, sobre el aparato.
16. El enchufe de conexión de CA se utiliza como dispositivo de desconexión eléctrica y deberá estar siempre accesible y en funcionamiento durante el uso previsto. Para desconectar completamente el aparato de la electricidad, el enchufe de conexión deberá quitarse por completo del tomacorriente de CA.
17. **PRECAUCIÓN:** Para reducir el riesgo de incendio o explosión no exponga las baterías al calor excesivo, como al rayo del sol, fuego u otras fuentes de calor

Se incluyen

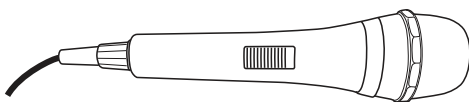
Asegúrese de que estén incluidos los siguientes elementos.



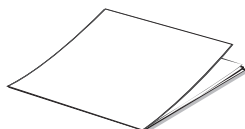
Unidad principal



Adaptador de CA



Micrófono con cable

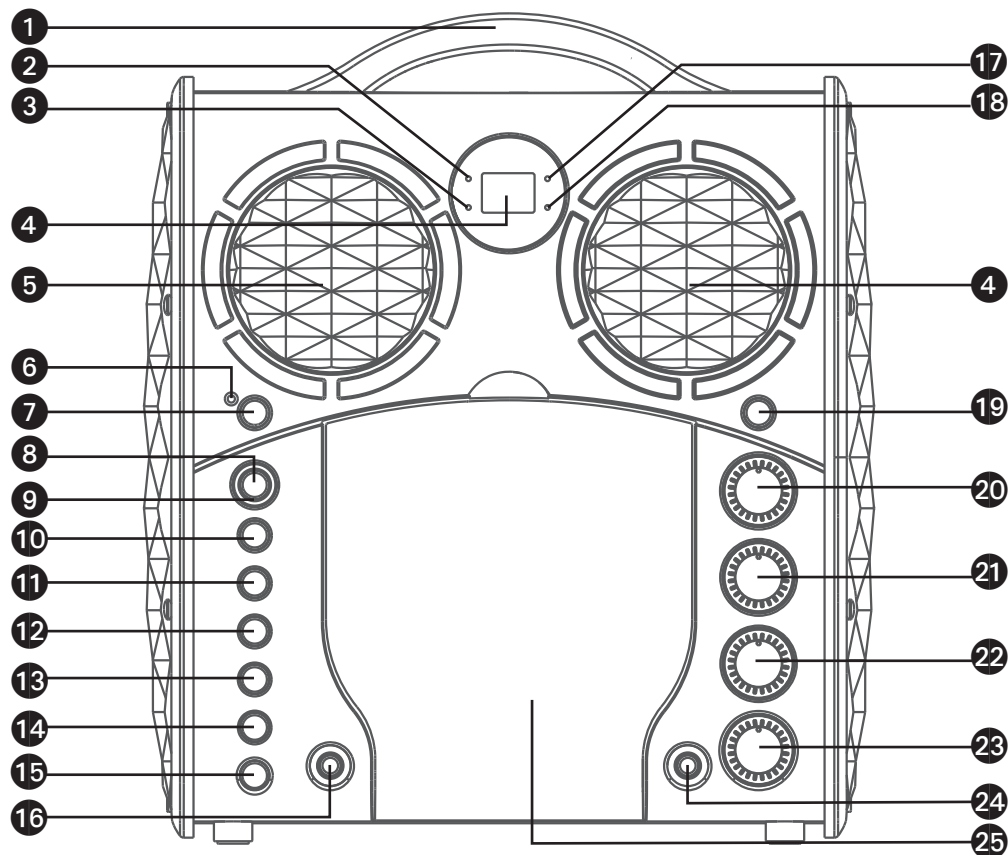


Manual



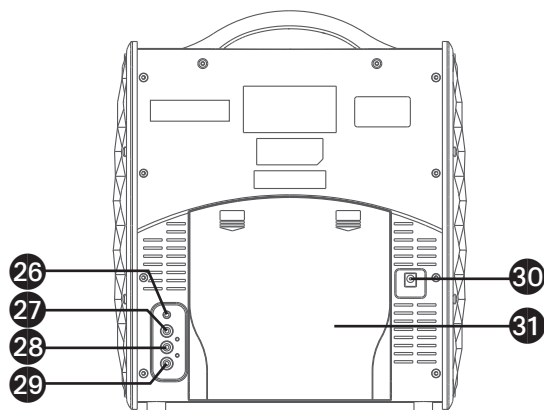
Cables de Audio/Video

Ubicación de controles (Delantero)



- | | | |
|--|--|---|
| 1. Manija | 11. Botón DETENER (STOP) | 20. Control de VOLUMEN PRINCIPAL (MASTER VOLUME) |
| 2. Indicador de REPRODUCIR/PAUSAR (PLAY/PAUSE) | 12. Botón SALTO ►► (SKIP) | 21. Control de ECO (ECHO) |
| 3. Indicador CDG | 13. Botón SALTO ◄◄ (SKIP) | 22. Control de VOLUMEN DEL MICRÓFONO 1 (MIC VOLUME 1) |
| 4. Pantalla | 14. Botón de FUNCIÓN (FUNCTION) | 23. Control de VOLUMEN DEL MICRÓFONO 2 (MIC VOLUME 2) |
| 5. Altavoz | 15. Botón REPETIR / PROGRAMAR (REPEAT / PROGRAM) | 24. Conector para MICRÓFONO 2 (MIC 2) |
| 6. Indicador de Bluetooth | 16. Conector para MICRÓFONO 1 (MIC 1) | 25. Compartimento de CD |
| 7. Botón | 17. Indicador de REPETIR (REPEAT) | |
| 8. Botón de ENCENDIDO/APAGADO (ON/OFF) | 18. Indicador de PROGRAMA (PROGRAM) | |
| 9. Indicador de ENCENDIDO/APAGADO (ON/OFF) | 19. Botón Luz (Light) | |
| 10. Botón REPRODUCIR/PAUSAR (PLAY/PAUSE) | | |

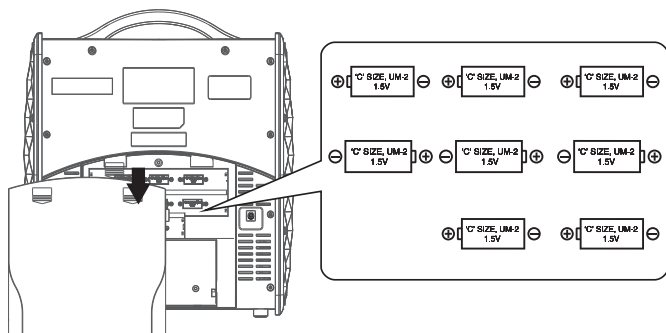
Ubicación de los controles (reverso)



- 26. Conector de ENTRADA DE LA LÍNEA (LINE IN)
- 27. Conector de SALIDA DE VIDEO (VIDEO OUT)
- 28. SALIDA DE AUDIO (AUDIO OUT) derecha (R)
- 29. SALIDA DE AUDIO (AUDIO OUT) izquierda (L)
- 30. Conector de entrada de CC
- 31. Compartimiento para pilas

CONEXION

INSTALACIÓN DE LAS PILAS



FUNCIONAMIENTO DE CC

1. Deslice la tapa de la pila en la dirección de las flechas para exponer el compartimiento para pilas. Inserte ocho (8) pilas alcalinas tamaño "C" (no incluidas) como lo indica el diagrama.
2. Reemplace la cubierta firmemente antes de operar.

PRECAUCIONES:

- Reemplace todas las pilas al mismo tiempo.
- No mezcle pilas viejas y nuevas.

Precauciones sobre las pilas

Se seguirán las precauciones a continuación cuando se utilicen pilas en este dispositivo:

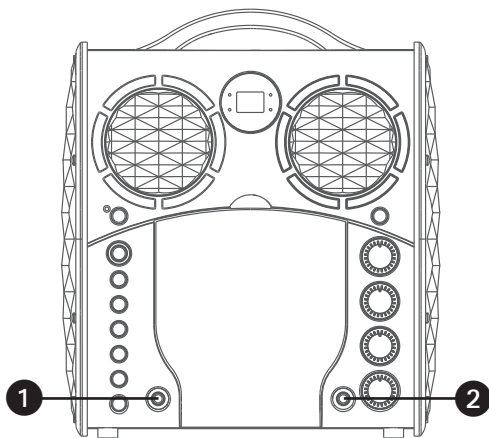
1. Utilice sólo el tamaño y tipo de pilas especificadas.
2. Asegúrese de respetar la polaridad correcta cuando instale las pilas, según lo indicado en el compartimiento de las pilas. Las pilas al revés pueden provocar daños al dispositivo.
3. No mezcle diferentes tipos de pilas (por ejemplo, alcalinas y de zinc-carbono) o pilas viejas con pilas nuevas.
4. Si no va a usarse el dispositivo durante un periodo prolongado,

asegúrese de quitar las pilas para prevenir daños o lesiones a causa de posibles pérdidas de las pilas.

5. No intente recargar pilas que no fueron diseñadas para ese fin; pueden recalentarse y romperse (Siga las indicaciones del fabricante de la pila).
6. Las pilas recargables se deben quitar del producto antes de la carga.
7. Las pilas recargables solo se pueden cargar bajo supervisión de un adulto.
8. Las pilas sin carga se deben quitar del producto.
9. La pila no deberá exponerse a calor excesivo como luz solar, fuego o fuentes similares.

CONEXION

Conexión de micrófono(s)

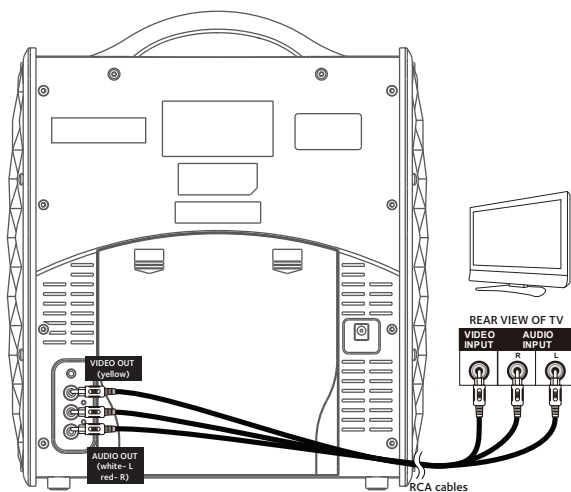


Micrófonos:

Inserte el enchufe de un micrófono en la entrada para micrófono 1 **1** y el otro enchufe de micrófono en la entrada para micrófono **2** (si lo desea).

Nota: No arroje o dé golpecitos al micrófono, puede dañar el micrófono o los parlantes. No gire el micrófono por el cable porque causará daños en el cableado revestido.

Conexión de la unidad a un televisor



Para que se reproduzca el video, las letras y el audio en su televisor, siga los siguientes pasos:

Conecte el cable de video RCA (amarillo) a la SALIDA DE VIDEO (VIDEO OUT) y los cables de audio (blanco y rojo) a las SALIDAS DE AUDIO (AUDIO OUT) ubicadas en la parte trasera de la Singing Machine.

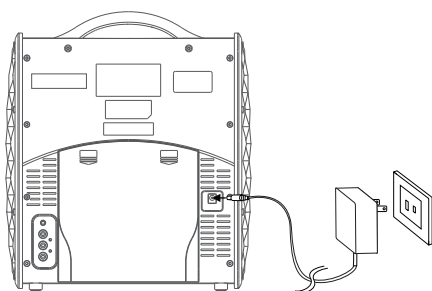
Conecte el otro extremo del cable de video RCA (amarillo) a la ENTRADA DE VIDEO (VIDEO IN) y los cables de audio (blanco y rojo) a la ENTRADA DE AUDIO (AUDIO IN) de su televisor.

Notas:

- Esta unidad puede utilizarse con o sin televisor, pero es altamente recomendable usar uno para aprovechar todas las funciones.
- También consulte la Guía de usuario del televisor.
- Para ver las letras de canciones en la pantalla, debe usar un disco CD+G.

Conexió

Conexión a alimentación de corriente alterna

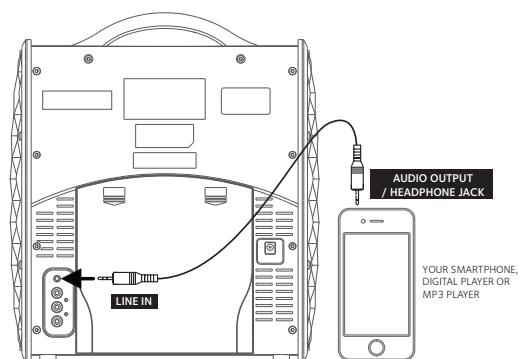


Introduzca el cable de alimentación de CA en un tomacorriente de CA con 120 V de CA, 60 Hz.

Nota:

Haga todas las conexiones antes de enchufar a la alimentación de CA.

Conexión a ENTRADA DE LÍNEA

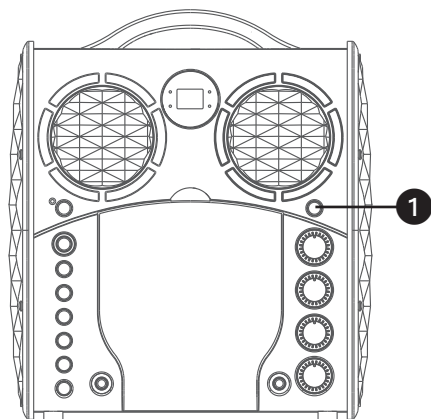


Conecte su dispositivo externo utilizando un cable adecuado (no se incluye el cable de audio de 3,5mm) como se muestra.

Nota:

Consulte la página S12 para seleccionar y utilizar la función de entrada de línea.

Luces de estado brillante



1

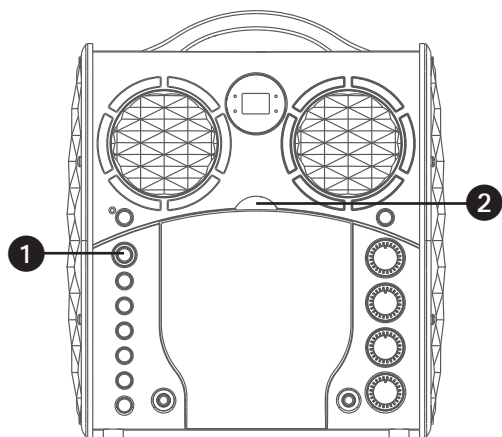
Cuando la unidad está encendida, el modo de **LUZ (LIGHT)** 1 se activa automáticamente. Las luces se encenderán y se sincronizarán con el sonido cuando hable o cante por el micrófono.

Presione el botón **LUZ (LIGHT)** para seleccionar el modo de luz 2 que mostrará las luces pero no responderá al micrófono.

Presione el botón **LUZ (LIGHT)** otra vez para apagar las luces.

Funcionamiento

Reproducción de un CDG



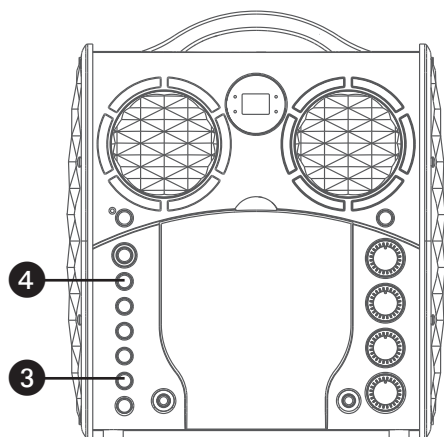
1 Conecte la unidad como se describió antes; si utiliza CD+G, se recomienda que conecte un televisor. Oprima el botón de **ENCENDIDO/APAGADO (ON/OFF)** para encender la unidad.

2 Abra el compartimiento de CD e introduzca un CD o un CD+G presionándolo cuidadosamente en el husillo central. Cierre la tapa del CD.

Notas:

• ¿Qué es un CD+G?

- Un CD+G (CD+ Graphics), es el formato estándar para la mayoría de los discos de karaoke que mostrarán las letras de canciones en pantalla.
- Nunca coloque nada que no sea un CD en el compartimiento, como por ejemplo objetos extraños que puedan dañar la unidad.
- Si no introdujo un disco, "No" aparecerá en
- Si se conecta a un televisor u otra fuente de audio, ajuste el volumen del televisor con su propio control de volumen.

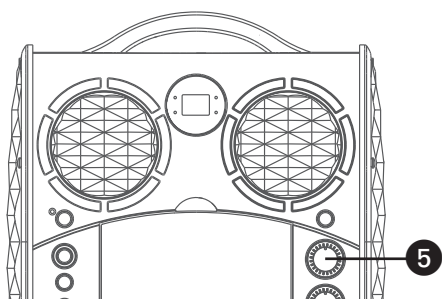


3 Presione varias veces el botón **FUNCIÓN (FUNCTION)** para seleccionar el modo CDG; aparecerá "--" cuando busque el disco. Luego, aparecerá la cantidad total de pistas.

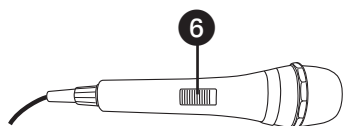
4 Presione **REPRODUCIR/PAUSAR (PLAY/PAUSE)** para comenzar la reproducción; si está escuchando un archivo CD+G, en la pantalla del televisor aparecerá la imagen y la letra (si está conectado) y se encenderá la luz indicadora de **REPRODUCIR/PAUSAR (PLAY/PAUSE)**.

Funcionamiento

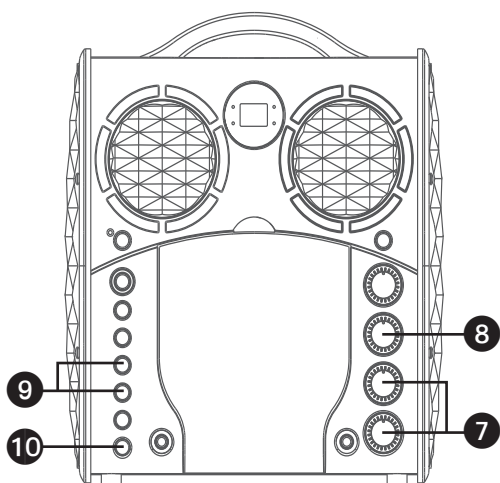
Reproducción de un CDG (Continuó)



5 Ajuste el volumen a un nivel conveniente, usando el control de **VOLUMEN PRINCIPAL**.



6 Conecte el/los micrófono y ubique el interruptor de **ENCENDIDO/APAGADO (ON/OFF)** del Control remoto/Micrófono en la posición de ENCENDIDO (ON).



7 Ajuste el control de **VOLUMEN DEL MICRÓFONO 1** o **2** según el nivel deseado. Al aumentar el nivel de este control se incrementará el volumen del micrófono respectivo.

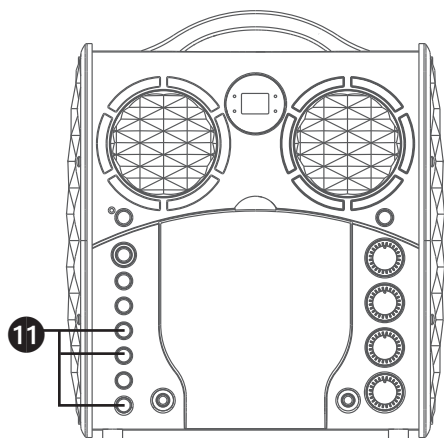
8 Gire el control de **ECO (ECHO)** para darle un efecto de eco a su voz. Gire hacia MAX para aumentar el efecto de eco.

9 **SALTO:** Avance o retroceda una pista oprimiendo los botones de **Salto** ◀◀/ ▶▶.

10 **FUNCIÓN REPETIR:** Durante la reproducción, presione **REPETIR/PROGRAMAR (REPEAT/PROG)** una vez para que se reproduzca varias veces la canción seleccionada; el indicador Repetir (Repeat) parpadeará. Presione el botón **REPETIR/PROGRAMAR (REPEAT/PROG)** una segunda vez para que se reproduzca varias veces el CD completo; el indicador Repetir (Repeat) quedará encendido y fijo. Presiónelo nuevamente para cancelar la función Repetir, el indicador Repetir se apaga.

Funcionamiento

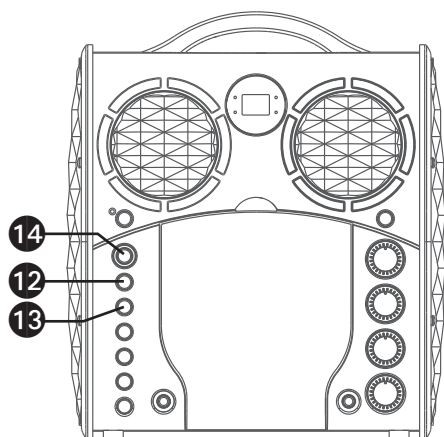
Reproducción de un CDG (Continuó)



- 11 PROGRAMAR:** Puede programar hasta 20 pistas de cualquier disco para reproducir en el orden deseado. Mientras se encuentre en el modo Detener (Stop), presione **REPETIR/PROGRAMAR (REPEAT/PROG)**; el indicador Programar (Program) parpadeará y aparecerá "01". Seleccione la primera pista con los botones **Salto hacia atrás/adelante** ◀▶. Presione **REPETIR/PROGRAMAR (REPEAT/PROG)** nuevamente para confirmar la entrada. Después de seleccionar las pistas deseadas, la pantalla mostrará 02, 03, etc. reconociendo que las pistas seleccionadas se han programado. Repita hasta agregar un máximo de 20 pistas a la memoria. Al finalizar, presione el botón **REPRODUCIR/PAUSAR (PLAY/PAUSE)** para comenzar la reproducción.

Nota:

- Oprima **DOS VECES DETENER** para detener y eliminar el programa.



- 12 PAUSAR (PAUSE):** Durante la reproducción, si desea pausar momentáneamente el disco, oprima **REPRODUCIR/PAUSAR (PLAY/PAUSE)**; el indicador REPRODUCIR/PAUSAR (PLAY/PAUSE) parpadeará. Oprima nuevamente para reanudar la reproducción normal.
- 13** Oprima **DETENER** ■ para detener la reproducción.
- 14** Oprima **ENCENDIDO/APAGADO (ON/OFF)** para apagar la unidad.