

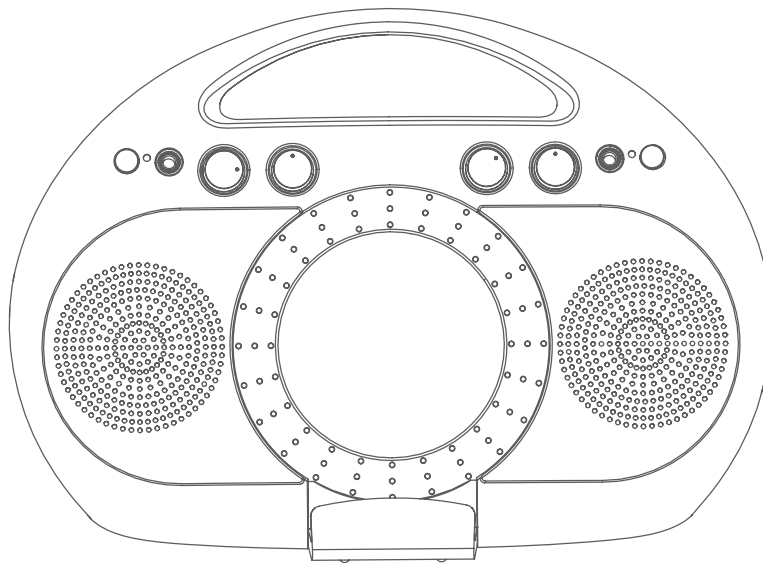


singing machine®

creating Joy through music™

ISM398BT/BG/GY/PB/PP

INSTRUCTION MANUAL/ MANUAL DE INSTRUCCIONES
/ MODE D'EMPLOI



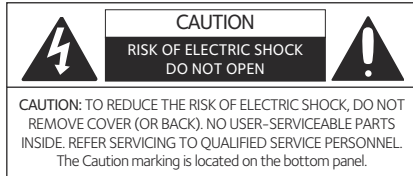
www.singingmachine.com

The Singing Machine® is a registered trademark of The Singing Machine Co., Inc.

The Singing Machine® es marca registrada de The Singing Machine Co., Inc.

The Singing Machine® est une marque déposée de The Singing Machine Co., Inc.

Warnings



DANGEROUS VOLTAGE: The lightning flash with arrowhead symbol within an equilateral triangle is intended to alert the user to the presence of uninsulated dangerous voltage within the product's enclosure that may be of sufficient magnitude to constitute a risk of electric shock to persons.



ATTENTION: The exclamation point within an equilateral triangle is intended to alert the user to the presence of important operating and maintenance (servicing) instructions in the literature accompanying this product.

DRIPPING WARNING: This product shall not be exposed to dripping or splashing, and no objects filled with liquids, such as vases, shall be placed on the product.

VENTILATION WARNING: The normal ventilation of the product shall not be impeded for intended use.

SAFETY VERIFICATION: This device is made and tested to meet safety standards of the FCC, requirements and compliance with safety performance of the U.S. Department of Health and Human Services and also with FDA Radiation Performance Standards 21 CFR Subchapter.

WARNING: TO PREVENT FIRE OR SHOCK HAZARD, DO NOT EXPOSE THIS UNIT TO RAIN OR MOISTURE.

FCC WARNING: This equipment may generate or use radio frequency energy. Changes or modifications to this equipment may cause harmful interference unless the modifications are expressly approved in the instruction manual. The user could lose the authority to operate this equipment if an unauthorized change or modification is made.

This device complies with part 15 of the FCC Rules. Operation is subject to the following two conditions: (1) This device may not cause harmful interference, and (2) this device must accept any interference received, including interference that may cause undesired operation.

NOTE: This equipment has been tested and found to comply with the limits for a Class B digital device, pursuant to part 15 of the FCC Rules. These limits are designed to provide reasonable protection against harmful interference in a residential installation. This equipment generates, uses and can radiate radio frequency energy and, if not installed and used in accordance with the instructions, may cause harmful interference to radio communications. However, there is no guarantee that interference will not occur in a particular installation. If this equipment does cause harmful interference to radio or television reception, which can be determined by turning the equipment off and on, the user is encouraged to try to correct the interference by one or more of the following measures:

- Reorient or relocate the receiving antenna.
- Increase the separation between the equipment and receiver.
- Connect the equipment into an outlet on a circuit different from that to which the receiver is connected.
- Consult the dealer or an experienced radio/TV technician for help.
- The rating information is located at the bottom of the unit.

INDUSTRY CANADA NOTICE:

This device complies with Industry Canada license-exempt RSS standard(s). Operation is subject to the following two conditions:

1. This device may not cause interference, and
2. This device must accept any interference, including interference that may cause undesired operation of the device.

Important Safety Information

1. Read these Instructions.
2. Keep these Instructions.
3. Heed all Warnings.
4. Follow all Instructions.
5. Do not use this apparatus near water.
6. Clean only with a dry cloth.
7. Do not block any of the ventilation openings. Install in accordance with the Manufacturer's instructions.
8. Do not install near any heat sources such as radiators, heat registers, stoves, or other apparatus (including amplifiers) that produce heat.
9. Do not defeat the safety purpose of the polarized or grounding-type plug. A polarized plug has two blades with one wider than the other. A grounding type plug has two blades and a third grounding prong. The wide blade or the third prong are provided for your safety. When the provided plug does not fit into your outlet, consult an electrician for replacement of the obsolete outlet.
10. Protect the power cord from being walked on or pinched particularly at plugs, convenience receptacles, and the point where they exit from the apparatus.
11. Only use attachments/accessories specified by the manufacturer.

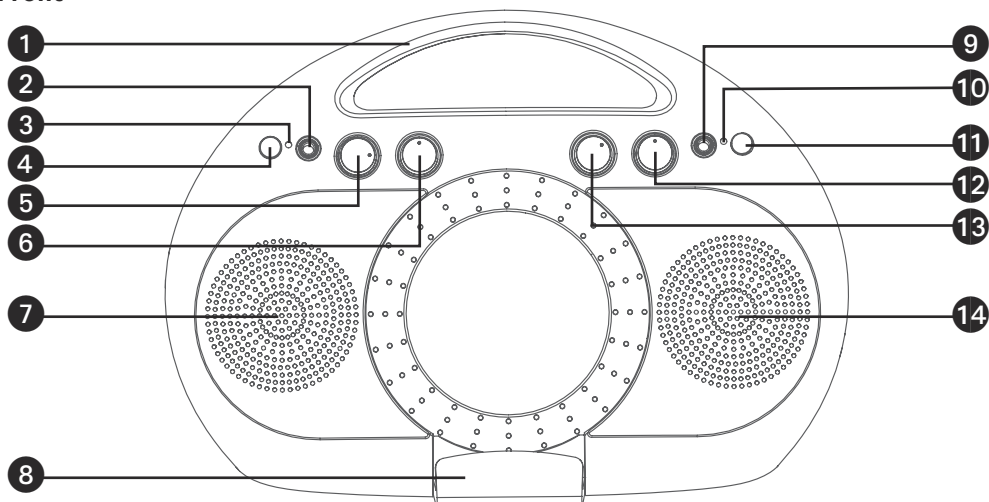
12. Use only with a cart, stand, tripod, bracket, or table specified by the manufacturer, or sold with the apparatus. When a cart is used, use caution when moving the cart/apparatus combination to avoid injury from tip-over.
13. Unplug this apparatus during lightning storms or when unused for long periods of time.
14. Refer all servicing to qualified service personnel. Servicing is required when the apparatus has been damaged in any way, such as power-supply cord or plug is damaged, liquid has been spilled or objects have fallen into the apparatus, the apparatus has been exposed to rain or moisture, does not operate normally, or has been dropped.
15. **WARNING:** To reduce the risk of fire or electric shock, do not expose this apparatus to rain or moisture. Do not place objects filled with water, such as a vase, on the apparatus.
16. The AC mains plug is used as the power disconnect device and it should remain readily accessible and operable during intended use. In order to completely disconnect the apparatus from power, the mains plug should be completely removed from the AC outlet socket.
17. **CAUTION:** To reduce the risk of fire or explosion, do not expose batteries to excessive heat such as sunshine, fire or other heat sources.

PORTABLE CART WARNING
(symbol provided by RETAC)



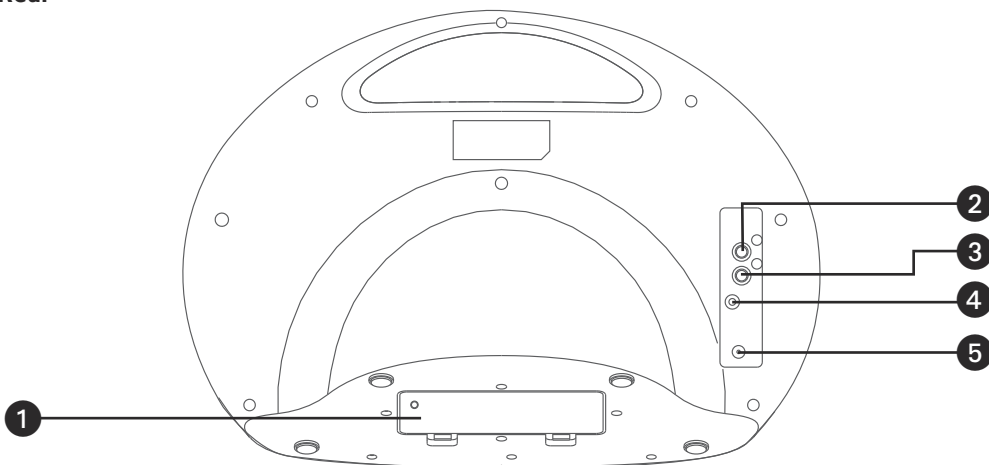
Location of Controls

Front



- | | | |
|------------------------|----------------------------|---------------------------|
| 1. Carrying Handle | 7. Left Speaker | 12. MASTER VOLUME Control |
| 2. Mic 1 Jack | 8. Cradle | 13. BALANCE Button |
| 3. Power Indicator | 9. Mic 2 Jack | 14. Right Speaker |
| 4. Power ON/OFF Button | 10. Bluetooth Indicator | |
| 5. ECHO Control | 11. PLAY/PAUSE/PAIR Button | |
| 6. MIC VOLUME Control | | |

Rear



- | | | |
|---|-------------------------|----------------|
| 1. Battery Compartment (bottom of unit) | 2. AUDIO OUT Left Jack | 4. AUX IN Jack |
| | 3. AUDIO OUT Right Jack | 5. DC IN Jack |

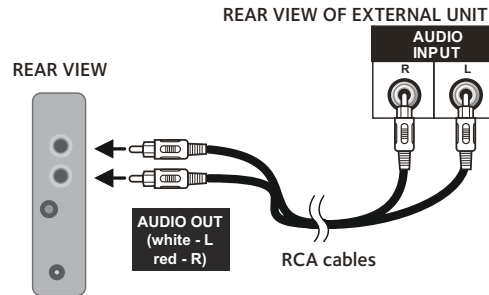
Connection

Connecting this Unit to an External Stereo, etc.

To listen to this unit's audio through a stereo or other external unit, connect as follows:

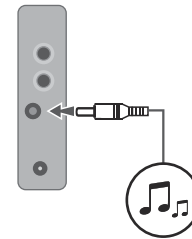
Connect the Audio cables red and white plugs to the red and white AUDIO OUT jacks on the unit and the other ends to the external unit red and white Audio In jacks.

Note: Audio cables are not included.



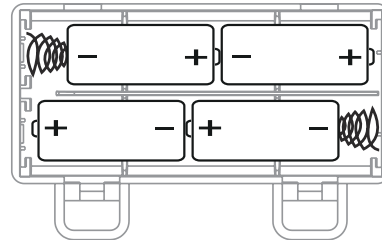
Connecting a Digital Music Player to this Unit

Your Singing Machine is designed to connect to your favorite digital music device (iPod, MP3 player, etc.). Simply connect your device by using an appropriate audio cable (3.5mm audio cable not included). When connected, the Aux function is automatically selected. See page 7 for more details.



Inserting Batteries

- 1 Lift battery door to reveal battery compartment.
- 2 Insert four (4) "C" size alkaline batteries (not included) as indicated by the polarity in the battery compartment.
- 3 Replace battery door tightly before operating.



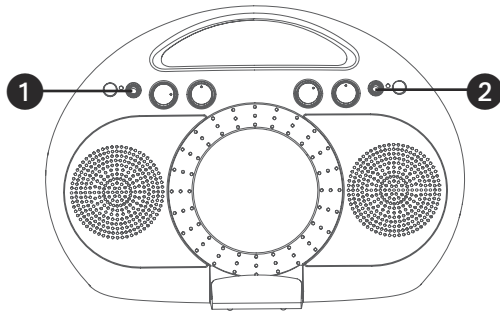
BATTERY PRECAUTIONS:

Follow these precautions when using batteries in this device:

1. Warning – Danger of explosion if battery is incorrectly replaced. Replace only with the same or equivalent type.
2. Use only the size and type of batteries specified.
3. Be sure to follow the correct polarity when installing the batteries as indicated in the battery compartment. A reversed battery may cause damage to the device.
4. Do not mix different types of batteries together (e.g. Alkaline, Rechargeable and Carbon-zinc) or old batteries with fresh ones.
5. If the device is not to be used for a long period of time, remove the batteries to prevent damage or injury from possible battery leakage.
6. Do not try to recharge a battery not intended to be recharged; it can overheat and rupture. (Follow battery manufacturer's directions.)
7. Remove batteries promptly if consumed.
8. Clean the battery contacts and also those of the device prior to battery installation.

Connection

Connecting the Microphone(s)

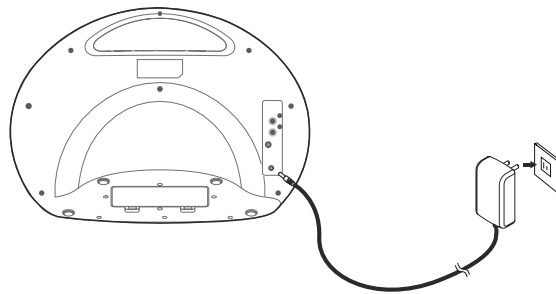


Insert a microphone's plug into the Mic 1 jack ①. Insert the other microphone's plug into the Mic 2 jack ② (if desired).

Note: Do not drop or tap the mic, as damage to the mic or speakers may occur. Do not spin the microphone around for the same reason.

Connecting to AC Power

Insert the small end of the AC adapter into the DC IN jack on the rear of the unit. Insert the other end (with the 2 blades) into a conveniently located AC outlet having 120V AC, 60Hz.

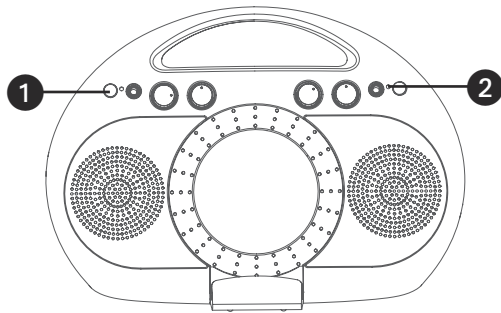


Notes:

- Only use the supplied AC adapter. Failure to do so may cause a fire or damage the unit.
- The AC adapter included with this unit is for its use only. Do not use it with other equipment.
- Turn off the unit before unplugging the AC adapter from the unit to avoid damaging the unit.
- When the unit is not going to be used for a long time, disconnect the AC adapter from the AC outlet.
- If the unit acts erratically or malfunctions, unplug the unit, wait 20 seconds and plug it back in.
- Never use an AC adapter that is damaged. Route power lead in a safe manner and make sure it is not subjected to trapping or pinching. If the power lead is damaged, refer to a qualified service agent.

Operation

Using a Bluetooth Device



Tabeoke is a portable karaoke system that works with any tablet that supports karaoke Apps. Download the Singing Machine Mobile Karaoke App powered by Stingray Karaoke available on iTunes for iOS devices. Try the Karaoke Anywhere for Android, or the Red Karaoke App for Windows Mobile. Use your Bluetooth device to wirelessly stream music and karaoke songs, with lyrics, through any of the mobile apps listed above.

For more information, visit www.singingmachine.com

1 Connect the unit as described previously. Press the Power **ON/OFF** button to turn the unit on; the Power indicator will light.

2 The Bluetooth indicator will blink rapidly to indicate it is in the Pairing mode.

Note: You can also press and hold the **PLAY/PAUSE/PAIR** button to initiate the Pairing mode.

3 Switch on the Bluetooth function of your Bluetooth compatible device within three feet of the unit. You will see “Singing Machine” appear on your device’s search list.

Note: Please always refer to the user manual of your Bluetooth device for detailed instructions.

4 Select “Singing Machine” to start pairing. Wait for completion of the pairing and the Bluetooth indicator will light solid.

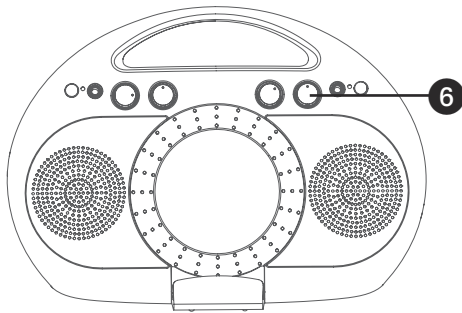
Notes:

- If your Bluetooth device prompts you for a passcode during the pairing process, please enter “0000” to connect.
- If pairing fails, repeat steps 2-4.
- If you have paired before, a list of previously searched results will be displayed. Select “Singing Machine” again.
- On some Bluetooth devices (i.e., computers), once pairing is complete, you must select your Bluetooth device as “Use as Audio Device” or similar.

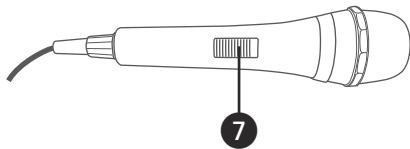
5 **PLAY/PAUSE:** Press the PLAY/PAUSE button on the Bluetooth device or on the unit to start.

Operation

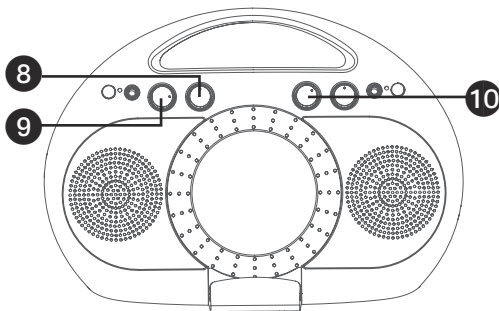
Using a Bluetooth Device



6 Make sure the Bluetooth device has its volume set to mid range, then adjust the volume to a comfortable level using the **MASTER VOLUME** control.



7 Connect microphone(s) and slide the microphone's **ON/OFF** switch to the ON position. Also, if desired, place your Bluetooth device onto the cradle after it is paired.

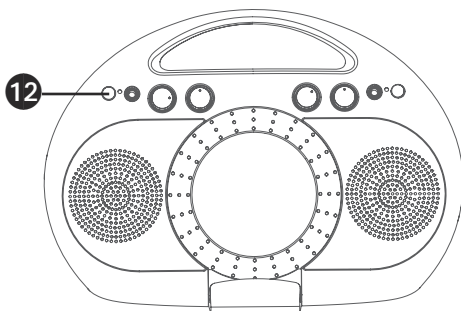


8 Adjust the **MIC VOLUME** control as desired. Increasing this control will increase the volume of the respective microphone.

9 **ECHO:** Adjust the **ECHO** control to add an echo effect to your voice.

10 **BALANCE:** Balance allows you to eliminate the lead singer's voice by rotating the knob to the left when playing a multiplex recording, or eliminate the music by rotating the knob to the right. This feature only works with multiplex media.

Note: If not listening to a multiplex recording, this knob will control the balance on the left and right speakers.

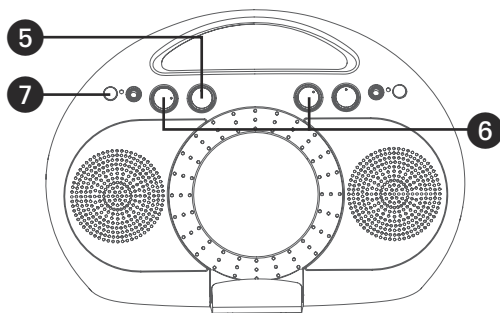
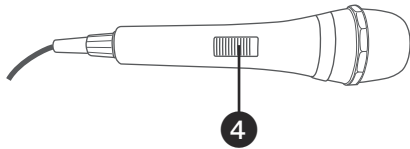
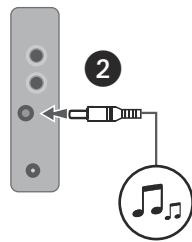
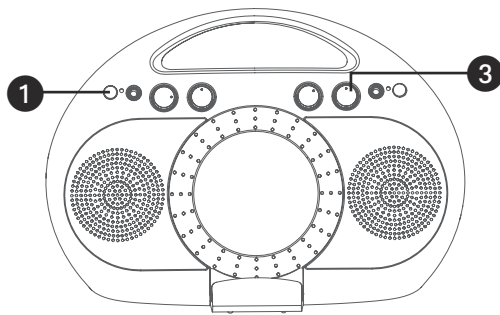


11 Control the Bluetooth device using its own controls.

12 Press the Power **ON/OFF** button to turn the unit off; the Power indicator will turn off.

Operation

Using the AUX IN Jack



1 Connect the unit as described previously. Press the Power **ON/OFF** button to turn the unit on; the Power indicator will light.

2 Connect the external unit to the AUX IN jack. When connected, the Aux function is automatically selected.

Note: It is highly recommended to set the volume on the auxillary unit to 1/3 or lower to avoid distortion.

3 Adjust the volume to a comfortable level using the **MASTER VOLUME** control.

4 Connect microphone(s) and slide the **ON/OFF** switch to the ON position.

5 Adjust the **MIC VOLUME** control as desired. Increasing this control will increase the volume of the respective microphone.

6 Adjust the **ECHO** and **BALANCE** effects as shown on page E6.

7 Press the Power **ON/OFF** button to turn the unit off; the Power indicator will turn off.

Troubleshooting Guide

Should this unit exhibit a problem, check the following before seeking service:

No Power.

- Power is not on; press the Power **ON/OFF** button to turn the unit on.
- Make sure the unit is connected to AC power.
- Batteries are dead or not inserted properly. Insert batteries as shown on page E3.

No Sound – General.

- **Master Volume** is set to minimum; raise volume.
- Cable connected to AUX IN jack. When a cable is connected, the Aux In function is selected. Unplug to select Bluetooth.

No Sound from the Microphone.

- Make sure microphone is firmly connected to the MIC1 or MIC2 jack.
- Make sure microphone is turned on.
- Make sure the **MIC VOLUME** control is not on the lowest setting.
- **MASTER VOLUME** is set to minimum; raise volume.

The Bluetooth device cannot be paired or connected with the unit.

- Ensure any other Bluetooth devices are turned off to avoid accidental pairing.
- Turn the power off; wait five seconds then turn power back on for automatic re-connection with the paired device.
- You have not activated the Bluetooth function of your device; see page E5 or refer to the Bluetooth device's user manual.
- The unit is not in pairing mode; see page E5 to pair.

The Music playback is not available on the unit after successfully connecting the Bluetooth.

- Ensure your Bluetooth device can support the A2DP Bluetooth profile.

Specifications

AUDIO

Output Power (Maximum) 2.12mW (RMS)
Output Impedance 6 Ohms

BLUETOOTH

Bluetooth VersionV4.2
Working Distance Up to 10 meters measured in open space


GENERAL

Power (AC) AC 110-240 V, 50/60 Hz
Power (DC) DC 6V (4 x "C" cell)
DC AdapterDC5.6V, 1.0A Center Positive Adapter
Dimensions 14.8 x 6.2 x 9.1 inches / 37.6 x 15.7 x 23.1 cm
Weight 2.51 lbs / 1.14 kg
Microphone -68 dB 600 Ohms impedance with 6.3 mm Dynamic Microphone

Specifications are subject to change without notice.

The Bluetooth® word mark and logos are registered trademarks owned by Bluetooth SIG, Inc. and any use of such marks and logos by The Singing Machine Company, Inc. is under license. Other trademarks and trade names are those of their respective owners.

Advertencias

	PRECAUCIÓN RIESGO DE DESCARGA ELÉCTRICA NO ABRIR	
PRECAUCIÓN: PARA REDUCIR EL RIESGO DE DESCARGAS ELÉCTRICAS, NO quite la cubierta (ni la tapa posterior) no hay piezas reparables por el usuario dentro. DERIVE LAS REPARACIONES A PERSONAL DE SERVICIO CALIFICADO.		
Las marcas de Precaución se ubican en el panel inferior.		



TENSIÓN PELIGROSA: La luz intermitente con símbolo de flecha dentro de un triángulo pretende alertar al usuario de la presencia de tensión peligrosa no aislada, dentro del paquete del producto, que puede ser de magnitud suficiente para constituir un riesgo de descarga eléctrica para las personas.



ATENCIÓN: El signo de exclamación dentro de un triángulo pretende alertar al usuario de la presencia de instrucciones importantes de operación y mantenimiento (reparaciones) en el material que acompaña a este producto.

ADVERTENCIA DE GOTEOS: Este producto no se podrá exponer a goteo o salpicaduras, y no se colocará ningún objeto lleno con líquidos, como jarrones, encima del producto.

ADVERTENCIA DE VENTILACIÓN: La ventilación normal del producto no se bloqueará si se le da el uso previsto.

VERIFICACIÓN DE SEGURIDAD: Este dispositivo está fabricado y evaluado en cumplimiento de los estándares de seguridad de la FCC, requisitos y cumplimiento de rendimiento de seguridad del Departamento de Salud y Servicios Humanos de EE.UU. y también la FDA. Subcapítulo 21 del Código de reglamentos federales, Estándares de rendimiento de radiación.

ADVERTENCIA: PARA EVITAR INCENDIOS O PELIGROS DE DESCARGA, NO EXPONGA ESTA UNIDAD A LA LLUVIA O HUMEDAD.

AVISO DE LA FCC: Este equipo puede generar o usar energía de radio frecuencia. Los cambios o modificaciones realizados en el aparato pueden provocar interferencia perjudicial, a menos que dichas modificaciones estén autorizadas en el manual de instrucciones. El usuario puede perder toda autoridad para operar el equipo si realiza cambios o modificaciones sin autorización.

Este aparato cumple con la parte 15 de las Normas de la FCC. El funcionamiento está sujeto a las dos condiciones que figuran a continuación: (1) Es probable que no cause interferencia perjudicial y (2) deberá aceptar cualquier interferencia recibida, incluyendo la interferencia que pueda llegar a causar un funcionamiento indeseado.

NOTA: Este equipo fue probado y se concluyó que cumple con los límites establecidos para los dispositivos digitales Clase B, de acuerdo con el Apartado 15 de las normas de la FCC. Estos límites fueron pensados para proporcionar protección razonable ante la interferencia perjudicial en una instalación residencial. Este equipo genera, usa y puede emitir energía de radio frecuencia y, si no se lo instala y utiliza de conformidad con las instrucciones, puede causar interferencia perjudicial a las comunicaciones radiales. No obstante, no existe ninguna garantía de que no se produzca interferencia en una instalación en particular. Si este equipo provoca interferencia perjudicial a la recepción de radio o televisión, lo cual puede determinarse apagando y encendiendo el equipo, el usuario puede intentar corregir la interferencia de alguna/s de las siguientes maneras:

- Reoriente la antena receptora o ubíquela en otro lugar.
- Aumente la distancia entre el equipo y el receptor.
- Conecte el equipo a un tomacorriente de un circuito distinto al que está conectado el receptor.
- Consulte al distribuidor o a un técnico experimentado de radio y televisión para que lo asesore.
- La información de clasificación está ubicada en la parte inferior de la unidad.

Información importante sobre seguridad

1. Lea estas instrucciones.
2. Conserve estas instrucciones.
3. Preste atención a todas las advertencias.
4. Siga todas las instrucciones.
5. No utilice este artefacto cerca del agua.
6. Límpielo únicamente con un paño seco.
7. No obstruya las aberturas para ventilación. Instálelo de acuerdo con las instrucciones del fabricante.
8. No instale cerca de fuentes de calor, como radiadores, rejillas de calefacción, estufas u otros aparatos (incluso amplificadores) que produzcan calor.
9. No desafíe el fin de seguridad del enchufe polarizado o de conexión a tierra. Un enchufe polarizado tiene dos clavijas y una es más ancha que la otra. El enchufe de conexión a tierra tiene dos clavijas, y una tercera punta a tierra. La clavija ancha o la tercera punta se suministran para su seguridad. Si el enchufe suministrado no coincide con su tomacorriente, consulte con un electricista para reemplazar el tomacorriente obsoleto.
10. Evite pisar o apretar el cable de alimentación, especialmente en los enchufes, tomacorrientes y en el punto por donde salen del artefacto.
11. Utilice sólo los complementos y accesorios especificados por el fabricante.
12. Utilice la unidad sólo con el carro, soporte, trípode, repisa o mesa recomendados por el fabricante, o que se vendan junto con el producto

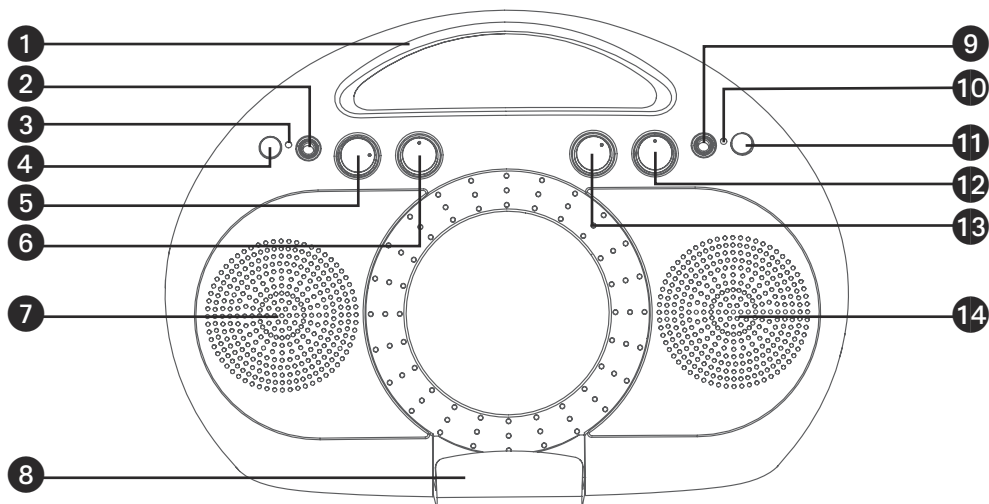
Quando se utiliza un carro, tenga cuidado cuando mueva el carro y artefacto junto a para evitar lesiones producidas por la caída del producto.

ADVERTENCIA SOBRE EL CARRO PORTÁTIL
(símbolo prohibido por RETAC)

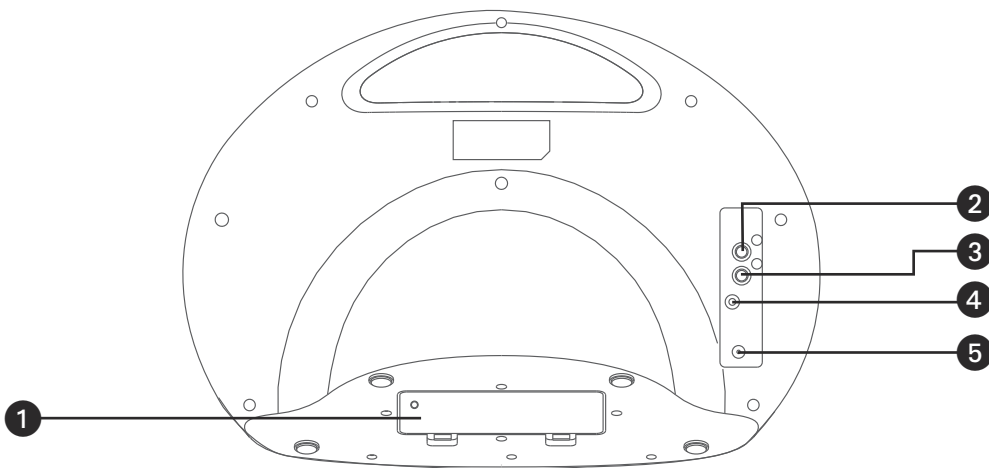


13. Desenchufe este artefacto durante las tormentas eléctricas o cuando no se lo utilice durante períodos prolongados.
14. Derive todas las reparaciones al personal de reparaciones calificado. Es necesario reparar el artefacto cuando se encuentra dañado; por ejemplo, cuando el cable de suministro de energía o el enchufe están dañados, cuando se derrama líquido sobre la unidad o caen objetos dentro del mismo, cuando el producto ha estado expuesto a la lluvia o a la humedad, cuando no funciona con normalidad o cuando se ha caído.
15. **ADVERTENCIA:** Para reducir el riesgo de incendio o descarga eléctrica, no exponga este artefacto a la lluvia o la humedad. No coloque objetos llenos de agua, como jarrones, sobre el aparato.
16. El enchufe de conexión de CA se utiliza como dispositivo de desconexión eléctrica y deberá estar siempre accesible y en funcionamiento durante el uso previsto. Para desconectar completamente el aparato de la electricidad, el enchufe de conexión deberá quitarse por completo del tomacorriente de CA.
17. **PRECAUCIÓN:** Para reducir el riesgo de incendio o explosión no exponga las baterías al calor excesivo, como al rayo del sol, fuego u otras fuentes de calor.

Ubicación de controles



- | | | |
|--------------------------------|------------------------------------|--|
| 1. Manija | 6. Control de VOLUMEN DE MICRÓFONO | 11. Botón Reproducir/ Pausar/ EMPAREJA |
| 2. Entrada para MICRÓFONO 1 | 7. Altavoz Izquierdo | 12. Control de VOLUMEN PRINCIPAL |
| 3. Indicador de encendido | 8. Titular | 13. Control de BALANCE |
| 4. Botón de ENCENDIDO/ APAGADO | 9. Entrada para MICRÓFONO 2 | 14. Altavoz derecho |
| 5. Control de ECO | 10. Indicador de Bluetooth | |



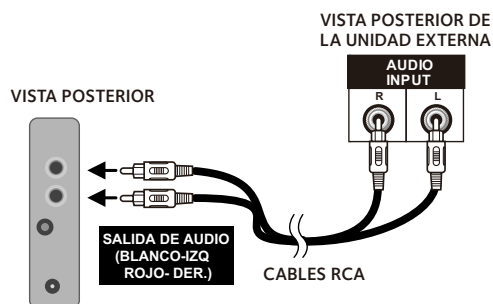
- | | | |
|---|--------------------------------|---------------------------|
| 1. Compartimento de la Pila (parte inferior de la unidad) | 2. SALIDA DE AUDIO (Izquierdo) | (Derecho) |
| | 3. SALIDA DE AUDIO | 4. Entrada auxiliar (AUX) |
| | | 5. Entrada DC IN |

Conexión

Conexión de esta Unidad a un estéreo externo, etc.

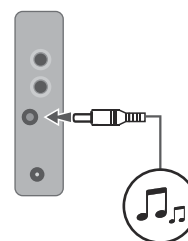
Para escuchar el audio de esta unidad a través del estéreo u otra unidad externa, realice la conexión de la siguiente manera: Conecte los enchufes rojo y blanco de los cables de audio a las entradas de SALIDA DE AUDIO (AUDIO OUT) en rojo y blanco de la unidad y los otros extremos a los conectores de entrada (Audio In) de audio rojo y blanco de la unidad externa.

Nota: Los cables de audio no están incluidos.



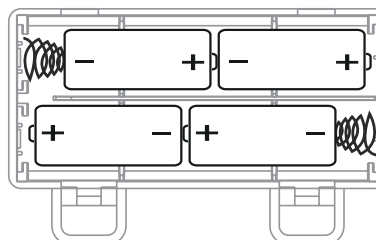
CONECTAR UN REPRODUCTOR DE MÚSICA DIGITAL A ESTA UNIDAD

Esta unidad puede conectar su dispositivo de audio favorito (por ej., iPod/reproductor de MP3, etc.). Simplemente conecte su dispositivo utilizando un cable de audio apropiado (cable de audio de 3,5 mm no incluido). La función Entrada auxiliar se selecciona automáticamente una vez que el cable de audio se enchufa. Consulte la página 7 para obtener más información.



Cómo colocar las pilas

- 1 Levante la puerta de la batería para revelar el compartimento de la batería.
- 2 Introduzca cuatro (4) pilas alcalinas tamaño "C" (no incluidas) como indica el diagrama de la derecha.
- 3 Vuelva a colocar firmemente la tapa antes de operar.



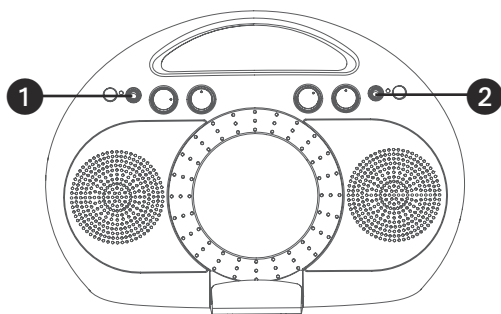
PRECAUCIONES SOBRE LAS BATERÍAS

Siga estas precauciones cuando use baterías en este dispositivo:

1. Precaución: peligro de explosión si las baterías se cambian incorrectamente. Cambie las baterías solamente por baterías iguales o de tipo equivalente.
2. Utilice únicamente baterías del tipo y del tamaño especificados.
3. Asegúrese de mantener la polaridad correcta cuando instale las baterías, según se indica en el compartimento de las baterías. Si la batería se coloca al revés, puede causar daños en el dispositivo.
4. No mezcle distintos tipos de baterías (por ejemplo, alcalinas, recargables o de carbono zinc) ni baterías viejas con nuevas.
5. Si el dispositivo no va a utilizarse durante un período de tiempo largo, extraiga las baterías para evitar daños o lesiones por posibles fugas de las baterías.
6. No intente recargar una batería que no sea recargable; puede sobrecalentarse y romperse. (Siga las indicaciones del fabricante de las pilas).
7. Extraiga las baterías rápidamente si se agotan.
8. Limpie los contactos de las baterías y del dispositivo antes de instalar las baterías.

Conexión

Conexión de micrófono(s)

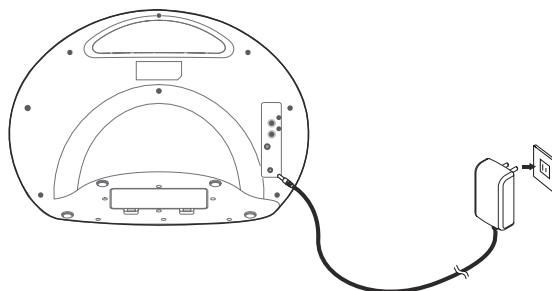


Inserte el enchufe de un micrófono en la entrada para micrófono 1 **1**. Inserte el otro enchufe de micrófono en la entrada para micrófono 2 **2** (si lo desea).

Nota: No arroje o dé golpecitos al micrófono, puede dañar el micrófono o los parlantes. No haga girar el micrófono por la misma razón.

Conexión a alimentación de corriente alterna

Introduzca el extremo pequeño del adaptador de CA en el conector de entrada de CC (DC IN) ubicado en la parte trasera de esta unidad. Introduzca el otro extremo (con 2 clavijas) en un tomacorriente con CA, correctamente ubicado y que posea 120V de CA, 60Hz.

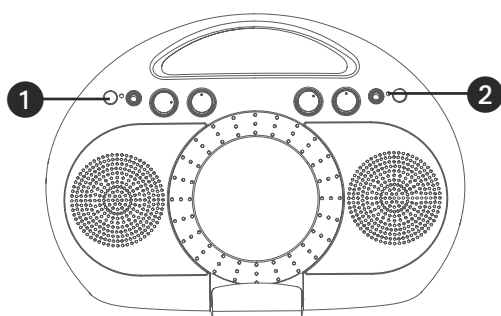


Notas:

- Utilice únicamente el adaptador de CA que se proporciona. Si no lo hace puede causar un incendio o que la unidad se dañe.
- El adaptador de CA que viene con esta unidad sólo se provee para uso de la misma. No lo utilice con otro equipo.
- Apague la unidad antes de desenchufar el adaptador de CA para evitar que ésta se dañe.
- Cuando la unidad no se vaya a utilizar por un largo periodo de tiempo, desconecte el adaptador de CA del tomacorriente de CA correspondiente.
- Si la unidad funciona incorrectamente o tiene mal funcionamiento, desconecte la misma, espere 20 segundos y enchúfela nuevamente.
- Nunca utilice un adaptador de CA que esté dañado. Oriente el cable de alimentación de manera segura y asegúrese de que no esté enredado o aplastado. Si el cable de alimentación está dañado, consulte con un agente de reparaciones calificado.

Funcionamiento

Utilizar un dispositivo Bluetooth



Tabeoque es un sistema de karaoke portátil que funciona con cualquier tableta que soporta aplicaciones de karaoke. Descargar Singing Machine móvil.

Aplicaciones de Karaoke de Stingray Karaoke disponibles en iTunes para dispositivos iOS.

Probar el karaoke en cualquier lugar para Android, o la aplicación de karaoke rojo para Windows móvil. Utilice su dispositivo Bluetooth para transmitir música y canciones de Karaoke de forma inalámbrica, con letras, a través de cualquiera de las aplicaciones móviles enumeradas anteriormente.

Para obtener más información, visite: www.singingmachine.com

1 Conecte la unidad como se describió previamente; se debe conectar a un televisor. Oprima **ENCENDIDO/APAGADO (ON/OFF)** para encender la unidad. El indicador de Encendido (Power) se iluminará.

2 El indicador de emparejamiento Bluetooth parpadeará con rapidez para indicar que está en modo de emparejamiento.

Nota: También puede oprimir y mantener presionado el botón **REPRODUCIR/PAUSAR/EMPAREJAR (PLAY/PAUSE/PAIR)** para iniciar el modo de emparejamiento.

3 Encienda la función Bluetooth de su dispositivo compatible con Bluetooth a 3 pies (1 metro) de la unidad. Verá que **"Singing Machine"** aparece en su lista de búsqueda de su dispositivo.

Nota: También consulte el manual de usuario de su dispositivo con Bluetooth para más instrucciones.

4 Seleccione **"Singing Machine"** para comenzar la configuración. Espere a que finalice el emparejamiento; el indicador de Bluetooth quedará encendido

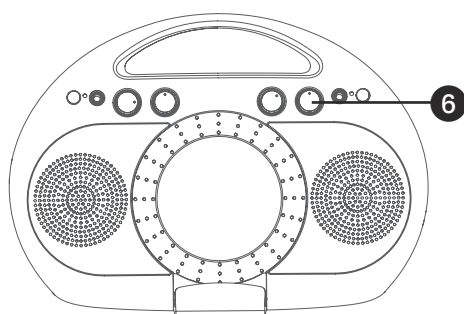
Notas:

- Si su dispositivo con Bluetooth le pide un código durante el proceso de emparejamiento, ingrese "0000" para conectarse.
- Si falla el emparejamiento, repita los pasos 2-4.
- Si lo configuró antes, se visualizará una lista de resultados previos. Seleccione "Singing Machine" otra vez.
- En algunos dispositivos con Bluetooth, una vez finalizado el emparejamiento, elija su dispositivo con Bluetooth como "Usar como dispositivo de audio" o similar.

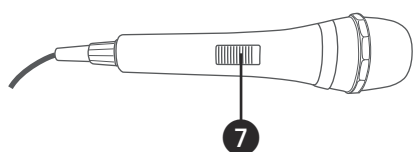
5 **REPRODUCIR/PAUSAR (PLAY/PAUSE):** Presione el botón **REPRODUCIR/PAUSAR (PLAY/PAUSE)** en el dispositivo con Bluetooth o en la unidad para comenzar.

Funcionamiento

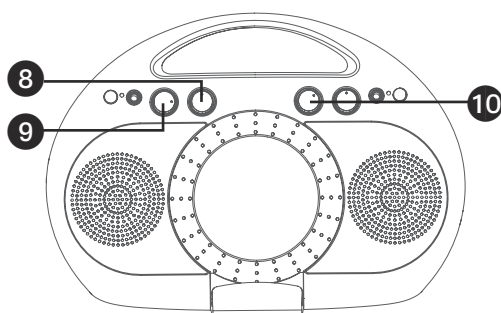
Utilizar un dispositivo Bluetooth



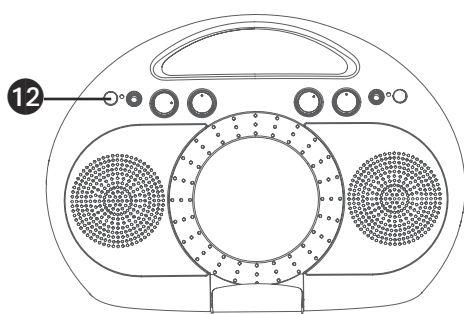
6 Asegúrese que el volumen de su dispositivo Bluetooth se encuentra en un nivel intermedio, luego ajuste el volumen al nivel deseado utilizando el control de **VOLUMEN PRINCIPAL (MASTER VOLUME)**.



7 Conecte los micrófonos y ubique el interruptor de **ENCENDIDO/APAGADO (ON/OFF)** del micrófono en la posición de ENCENDIDO (ON). Si desea podrá colocar su dispositivo Bluetooth en el soporte luego de que se haya configurado.



8 Ajuste el control de **VOLUMEN DEL MICRÓFONO (MIC VOLUME)** hasta el nivel deseado. Al aumentar el nivel de este control aumentará el volumen del micrófono correspondiente.



9 **ECO (ECHO):** Ajuste el control de **ECO (ECHO)** para darle un efecto de eco a su voz.

10 **BALANCE:** El Balance le permite eliminar la voz del cantante principal al rotar la perilla hacia la izquierda cuando se reproduce una grabación multiplex o eliminar la música al rotar la perilla hacia la derecha. Esta función solo se puede usar con medios multiplex.

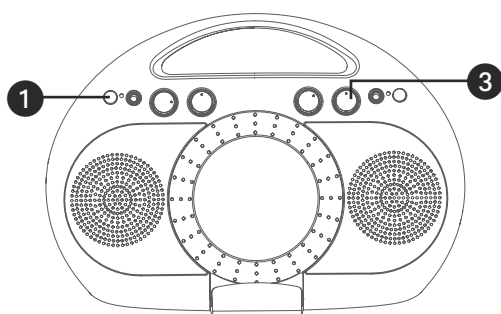
Nota: Si no es una grabación multiplex, esta perilla controlará el balance en los altavoces izquierdo y derecho.

11 Controle el dispositivo con Bluetooth usando sus propios controles.

12 Oprima el botón **ENCENDIDO/APAGADO (Power ON/OFF)** para apagar la unidad, el indicador de Encendido (Power) se apagará.

Funcionamiento

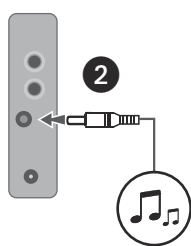
Uso del conector de ENTRADA de AUX



1 Conecte la unidad como se describió previamente; se debe conectar a un televisor. Oprima **ENCENDIDO/ APAGADO (ON/OFF)** para encender la unidad. El indicador de Encendido (Power) se iluminará.

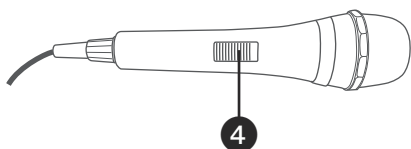
2 Conecte la unidad externa al conector de **ENTRADA AUXILIAR (AUX IN)** Cuando lo conecte, la función Auxiliar (Aux) se seleccionará automáticamente.

Nota: Se recomienda ajustar el volumen en la unidad auxiliar a 1/3 o menos para evitar distorsiones.

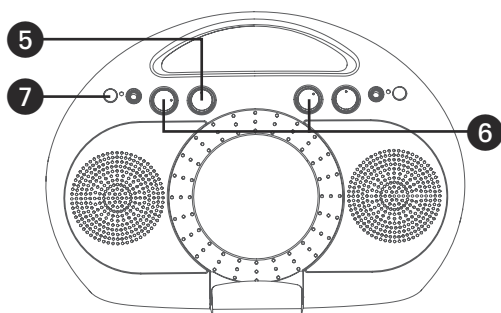


3 Ajuste el volumen a un nivel conveniente, usando el control de **VOLUMEN PRINCIPAL (MASTER VOLUME)**.

4 Conecte los micrófonos y ubique el interruptor de **ENCENDIDO/ APAGADO (ON/OFF)** en la posición de ENCENDIDO (ON).



5 Ajuste el control de **VOLUMEN DEL MICRÓFONO (MIC VOLUME)** hasta el nivel deseado. Al aumentar el nivel de este control aumentará el volumen del micrófono correspondiente.



6 Ajuste los efectos de **ECO (ECHO)** y **BALANCE** como se indica en la página S6.

7 Oprima el botón **ENCENDIDO/ APAGADO (Power ON/OFF)** para apagar la unidad, el indicador de Encendido (Power) se apagará.

Guía de Resolución de Problemas

Si esta unidad presentara un problema, lea el siguiente cuadro antes de llamar al servicio técnico:

No hay energía

- La unidad no está encendida; oprima **ENCENDIDO/ ESPERA** para encenderla.
- Asegúrese de que la unidad esté conectada a la alimentación de corriente alterna.
- Batteries are dead or not inserted properly. Insert batteries as shown on page S3.

No hay sonido (General)

- Volumen principal (Master Volume) está en mínimo: suba el volumen.
- Cable conectado al conector de entrada AUXILIAR (AUX IN). Cuando se conecta un cable, se selecciona la función Entrada auxiliar (Aux In). Desconecte para seleccionar Bluetooth.

No hay sonido desde el micrófono

- Asegúrese de que está firmemente conectado a la entrada para el MICRÓFONO 1 o 2.
- Asegúrese de que el micrófono esté encendido.
- Asegúrese de que los controles de **VOLUMEN DEL MICRÓFONO (MIC VOLUME)** no estén en su configuración más baja.
- El **VOLUMEN PRINCIPAL** está fijado en mínimo: suba el volumen.

El dispositivo Bluetooth no se puede configurar o conectar con la unidad.

- Asegúrese de que los otros dispositivos con Bluetooth estén apagados para evitar el emparejamiento accidental.
- Apague la unidad, espere cinco segundos y vuelva a encender para la reconexión automática con el dispositivo emparejado.
- No ha activado la función Bluetooth de su dispositivo; ver la página S5 o consultar el manual de usuario del dispositivo con Bluetooth.
- La unidad no se encuentra en modo de emparejamiento; consulte la página S5 para emparejar.

La reproducción de la música no está disponible en la unidad luego de conectar de manera exitosa el Bluetooth.

- Asegúrese de que su dispositivo Bluetooth es compatible con el perfil Bluetooth A2DP.

Especificaciones

AUDIO

Potencia de salida.....2.12mW Watts (RMS)
Impedancia de salida..... 6 Ohms

BLUETOOTH

Version BluetoothV4.2
Distancia de trabajo.....Hasta 10 metros medidos en espacio abierto



GENERAL

Energía..... AC 110-240 V, 50/60 Hz
Energía (DC) DC 6V (4 x "C" cell)
Adaptador de CC..... CC 5.6V, Adaptador de centro positivo de 1.0A
Dimensiones 14.8 x 6.2 x 9.1 inches / 37.6 x 15.7 x 23.1 cm
Peso 2.51 lbs / 1.14 kg
Micrófono..... Impedancia con micrófono dinámico -68 db 600 Ohm con 6.3 mm

Las especificaciones están sujetas a cambios sin previo aviso.

El nombre de la marca Bluetooth® y los logotipos son marcas registradas propiedad de Bluetooth SIG, Inc., y todo uso que The Singing Machine Company, Inc. haga de dichas marcas y logotipos será en virtud de una licencia. Otras marcas registradas y comerciales pertenecen a sus respectivos titulares.

Mises en Garde

	Mises en Garde RISQUE DE CHOC ÉLECTRIQUE NE PAS OUVRIR	
MISE EN GARDE: AFIN DE RÉDUIRE LE RISQUE D'ÉLECTROCUTION, NE PAS RETIRER LE COUVERCLE (OU LE DOS DU BOÎTIER). AUCUNE PIÈCE POUVANT ÊTRE RÉPARÉE PAR L'UTILISATEUR NE SE TROUVE À L'INTÉRIEUR. POUR TOUTE RÉPARATION, CONTACTER UN TECHNICIEN COMPÉTENT. La mention Mise en garde se trouve sur le panneau inférieur.		



TENSION DANGEREUSE : Le symbole de l'éclair dans un triangle équilatéral a pour but d'avertir l'utilisateur du danger présenté par des pièces non isolées à l'intérieur de l'appareil, dont la tension est suffisante pour provoquer des décharges électriques dangereuses.



ATTENTION: Le point d'exclamation à l'intérieur d'un triangle équilatéral a pour but d'avertir l'utilisateur de la présence de consignes importantes sur le fonctionnement et l'entretien (réparation) de l'appareil dans la documentation accompagnant ce produit.

AVERTISSEMENT D'ÉGOUTTEMENT : Ce produit ne doit pas être exposé à l'égouttement ni aux éclaboussures et aucun objet rempli de liquide, tel qu'un vase, ne doit être placé sur le produit.

AVERTISSEMENT D'AÉRATION : L'aération normale du produit ne doit pas être entravée pour l'usage prévu.

VÉRIFICATION DE SÉCURITÉ : Cet appareil est fabriqué et mis à l'essai selon les normes de sécurité de la FCC, ainsi que les exigences et la conformité du rendement en matière de sécurité du ministère de la santé et des services sociaux des États-Unis, et des normes de rendement de radiation dans le sous-chapitre du 21 CFR.

AVERTISSEMENT: AFIN D'ENRAYER TOUT RISQUE D'ÉLECTROCUTION OU D'INCENDIE, NE PAS EXPOSER CET APPAREIL À LA PLUIE OU À L'HUMIDITÉ.

MISE EN GARDE DE LA FCC: Cet appareil peut générer ou utiliser des fréquences radio. Les modifications ou changements peuvent causer des interférences nuisibles, à moins que ces modifications ne soient approuvées expressément dans ce mode d'emploi. L'utilisateur pourrait perdre l'autorité de faire fonctionner cet équipement en cas de modification non autorisée. Cet appareil répond aux exigences de l'alinéa 15 des réglementations FCC. Son utilisation est soumise aux deux conditions suivantes : 1) Cet appareil ne peut pas causer d'interférence nuisible et 2), Cet appareil doit accepter toute interférence reçue, incluant les interférences qui pourraient affecter son fonctionnement.

REMARQUE : Suite aux tests effectués, il est établi que cet appareil numérique de Classe B répond aux exigences de l'alinéa 15 des réglementations FCC. Ces normes sont élaborées pour vous protéger contre toute interférence nuisible en installation résidentielle. Cet appareil génère, utilise et peut émettre des fréquences radio. Par conséquent, s'il n'est pas installé et utilisé en suivant les instructions, il peut causer des interférences nuisibles aux communications radio. Cependant, aucune garantie n'est donnée concernant la possibilité d'interférence avec une installation spécifique. Si une interférence se produisant en réception radio et/ou de télédiffusion, lors de l'activation et la désactivation de l'appareil, nous vous recommandons.

- Réorientez ou déplacez l'antenne de réception.
- Éloignez l'appareil du récepteur.
- Branchez l'appareil à une prise de courant différente de celle utilisée par le récepteur.
- En cas de problème, contactez le vendeur ou un technicien spécialisé en réception radio/TV.
- Le régime nominal est indiqué dans la partie inférieure de l'appareil.

INDUSTRY CANADA NOTICE:

Cet appareil est conforme avec Industrie Canada exempts de licence standard RSS (s). Son fonctionnement est soumis aux deux conditions suivantes:

1. Cet appareil ne doit pas provoquer d'interférences.
2. Cet appareil doit accepter toute interférence, y compris celles pouvant causer un mauvais fonctionnement de l'appareil.

CAN ICES-3(B)/NMB-3(B)

Renseignements Importants de Sécurité

1. Lisez ces instructions.
2. Conservez ces instructions.
3. Respectez toutes les mises en garde.
4. Suivez toutes les consignes.
5. N'utilisez pas cet appareil à proximité de l'eau.
6. Nettoyez l'appareil uniquement avec un chiffon sec.
7. Ne bloquez pas les ouvertures d'aération. Installez conformément selon les consignes du fabricant.
8. N'installez pas à proximité de sources de chaleur telles que les radiateurs, registres d'air chaud, cuisinières, ou autres appareils (notamment des amplificateurs) produisant de la chaleur.
9. Ne nuisez pas à la fonction de sécurité de la fiche polarisée ou de mise à la terre. Une fiche polarisée est dotée de deux broches dont l'une est plus large que l'autre. Une fiche de mise à la terre est dotée de deux broches et d'une troisième broche de mise à la terre. La broche la plus large ou la troisième broche est conçue pour votre sécurité. Lorsque la broche fournie ne convient pas à la prise, consultez un électricien afin de remplacer la prise désuète.
10. Protégez le cordon d'alimentation afin que personne ne marche dessus ou le pince, particulièrement au niveau des broches, de la prise et du point où ils sortent de l'appareil.
11. Utilisez seulement les accessoires spécifiés par le fabricant.
12. Utilisez seulement avec un chariot, une sellette, un trépied, un

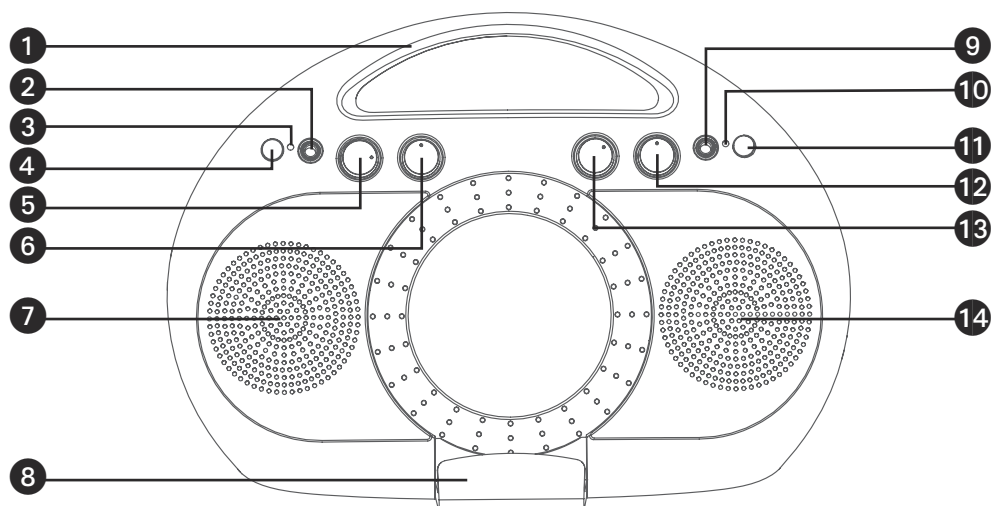
support ou une table. Lorsqu'un chariot est utilisé, prenez garde de ne pas déplacer la combinaison chariot/appareil pour éviter toute blessure causée par un renversement.

13. Débranchez cet appareil durant un orage ou lorsqu'il n'est pas utilisé pendant de longues périodes.
14. Confiez toutes les réparations à un technicien compétent. La réparation s'avère nécessaire lorsque l'appareil a été endommagé, par exemple, si le cordon d'alimentation ou la fiche a été endommagé, du liquide a été renversé ou des objets sont tombés dans l'appareil, ou si l'appareil a été exposé à la pluie ou à l'humidité, ne fonctionne pas normalement, ou a été échappé.
15. **AVERTISSEMENT :** Pour réduire le risque d'électrocution, évitez d'exposer l'appareil à la pluie ou à l'humidité. Ne déposez pas d'objets remplis d'eau, tels qu'un vase, sur l'appareil.
16. La fiche de secteur c.a. est utilisée pour débrancher l'appareil et doit être facilement accessible et utilisable durant l'usage prévu. Afin de couper complètement l'alimentation de l'appareil, la fiche de secteur doit être complètement débranchée de la prise c.a.
17. **MISE EN GARDE :** Afin de réduire le risque d'incendie ou d'explosion, n'exposez pas les piles à une source de chaleur excessive telle que le soleil, le feu ou autre.

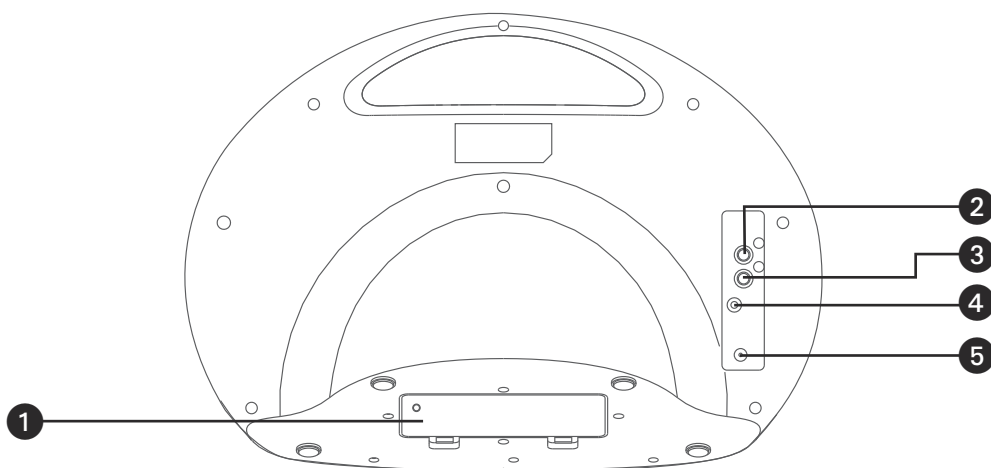
ATTENTION CHARIOT DE TRANSPORT
(symbole fourni par RETAC)



Emplacement des Commandes



- | | | |
|---------------------------------|---|--|
| 1. Poignée de transport | 7. Haut-parleur gauche | 12. Commande VOLUME MAÎTRE (MASTER VOLUME) |
| 2. Prise Mic 1 | 8. Support | 13. Touche BALANCE (équilibre) |
| 3. Témoin d'alimentation | 9. Prise Mic 2 | 14. Haut-parleur droit |
| 4. Touche d'alimentation ON/OFF | 10. Témoin Bluetooth | |
| 5. Commande ECHO (écho) | 11. Touche LECTURE/PAUSE/JUMELAGE (PLAY/PAUSE/PAIR) | |
| 6. Commande MIC VOLUME | | |



- | | | |
|--|----------------------------|---------------------------------------|
| 1. Compartiment des piles (en dessous) | 3. Sortie AUDIO OUT gauche | 4. Prise d'entrée auxiliaire (AUX IN) |
| 2. Sortie AUDIO OUT | | 5. Prise DC IN |

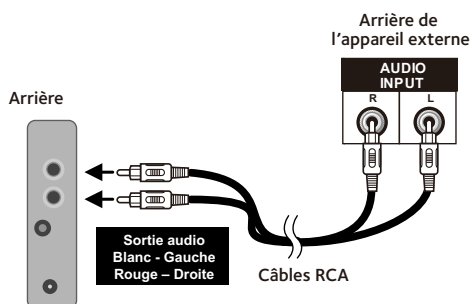
Branchement

Branchement de l'appareil à un stéréo externe, etc.

Pour écouter le son de cet appareil par le biais d'un système stéréo ou d'un autre appareil externe, effectuez le raccordement comme suit :

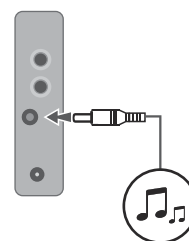
Connectez les fiches rouge et blanche du câble audio aux prises AUDIO OUT rouge et blanche sur l'appareil, puis les autres extrémités aux prises d'entrée audio rouge et blanche de l'appareil externe.

Remarque : Les câbles audio ne sont pas inclus.



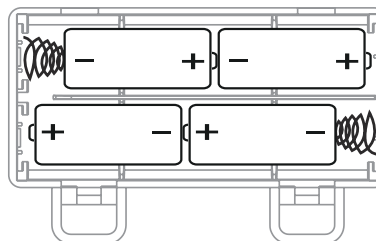
Raccordement d'un lecteur de musique numérique à cet appareil

Votre lecteur karaoké est conçu pour permettre le raccordement de votre lecteur de musique numérique préféré (iPod, lecteur MP3, etc.). Raccordez simplement votre appareil en utilisant un câble audio approprié (câble audio 3,5 mm non inclus). Lorsque le raccordement est effectué, la fonction Aux est sélectionnée automatiquement. Voir page F7 pour plus de détails.



Insertion des piles

- 1 Soulevez le couvercle des piles pour ouvrir le compartiment des piles.
- 2 Insérez quatre (4) piles alcalines « C » (non comprises) en respectant les repères de polarité à l'intérieur du compartiment des piles.
- 3 Réinstallez le couvercle des piles correctement avant d'utiliser l'appareil.



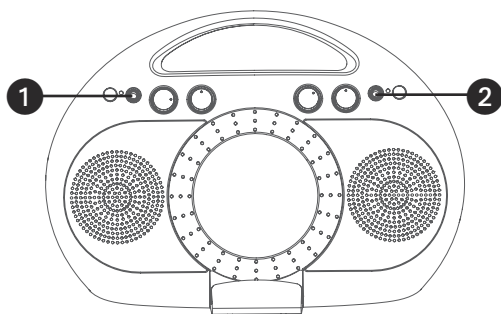
PRÉCAUTIONS À PRENDRE AVEC LES PILES:

Prenez les précautions suivantes lorsque vous utilisez des piles avec cet appareil :

1. Avertissement - Danger d'explosion si les piles sont incorrectement positionnées. Remplacez toujours les piles avec des piles de même type ou équivalent.
2. N'utilisez que des piles de format et de type spécifié dans le présent guide.
3. Respectez les polarités indiquées dans le compartiment de piles. Une pile inversée risque d'endommager l'appareil.
4. Ne mélangez pas les piles de types différents (exemple : alcalines, rechargeables et carbone zinc) ou les piles usées avec les piles neuves.
5. Si vous ne prévoyez pas utiliser l'appareil pendant un certain temps, retirez les piles qui s'y trouvent. Cela préviendra tout dommage ou blessure attribuable à l'écoulement du liquide contenu dans les piles.
6. Ne tentez pas de charger des piles qui ne sont pas de type rechargeable car celles-ci pourraient surchauffer et se fissurer. (Suivez les directives du fabricant des piles.)
7. Retirez les piles de l'appareil sans tarder lorsque celles-ci sont épuisées.
8. Nettoyez les contacts de pile et ceux de l'appareil avant d'installer les piles.

Branchement

Raccordement des microphone(s)

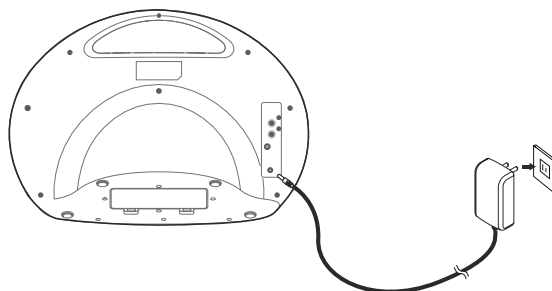


Insérez la fiche d'un microphone dans la prise de Mic 1 **1**. Insérez la fiche de l'autre microphone dans la prise de Mic 2 **2** (au choix).

Écouteurs: Pour une écoute discrète, utilisez les écouteurs (non inclus). Insérez une fiche d'écouteur dans la prise de l'écouteur w. Débranchez les écouteurs lorsque vous avez terminé afin d'utiliser les haut-parleurs.

Raccordement à l'alimentation CA

Connectez la petite extrémité de l'adaptateur CA à la prise DC IN située à l'arrière de l'appareil. Connectez l'autre extrémité (avec les 2 lames) à une prise de courant CA (120 V CA, 60 Hz) située à proximité.

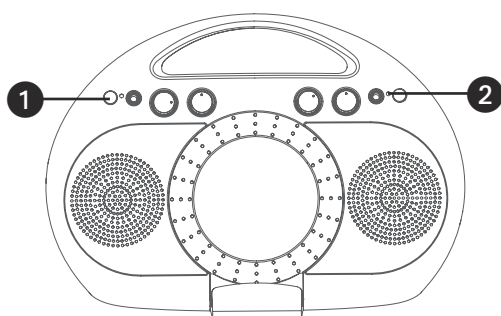


Remarques :

- Utilisez uniquement l'adaptateur CA fourni. Le non-respect de cette consigne pourrait causer un incendie ou des dommages à l'appareil.
- L'adaptateur CA fourni avec cet appareil est conçu uniquement pour l'utilisation avec celui-ci. Ne l'utilisez pas avec d'autres équipements.
- Pour éviter de l'endommager, éteignez l'appareil avant de débrancher l'adaptateur CA de celui-ci.
- Lorsque vous prévoyez de ne pas utiliser l'appareil pendant une période prolongée, déconnectez l'adaptateur CA de la prise de courant CA.
- Si l'appareil ne fonctionne pas correctement, débranchez-le pendant 20 secondes, puis rebranchez-le.
- N'utilisez jamais un adaptateur CA endommagé. Acheminez le câble d'alimentation de manière sécuritaire et veillez à ce qu'il ne soit pas écrasé ou coincé. Si le câble d'alimentation est endommagé, contactez un technicien d'entretien qualifié.

Utilisation

Utilisation d'un appareil Bluetooth



Tabeoke est un système de karaoké portable qui fonctionne avec toutes les tablettes prenant en charge les applications de karaoké. Téléchargez l'application de karaoké mobile Singing Machine optimisée par Stingray Karaoke, disponible sur iTunes pour les appareils iOS. Essayez Karaoke Anywhere pour Android ou l'application Red Karaoke pour Windows Mobile. Utilisez votre dispositif Bluetooth pour transmettre sans fil de la musique et des chansons de karaoké avec des paroles, à l'aide d'une des applications mobiles indiquées ci-dessus.

Pour plus d'informations, visitez: www.singingmachine.com

1 Raccordez l'appareil de la manière décrite précédemment. Appuyez sur la touche d'alimentation **ON/OFF** pour allumer l'appareil; le témoin d'alimentation s'allumera.

2 Le témoin Bluetooth clignotera rapidement pour indiquer que l'appareil est en mode de jumelage.

Remarque: Vous pouvez également maintenir enfoncée la touche **LECTURE/PAUSE/JUMELAGE** pour activer le mode de jumelage.

3 Activez la fonction Bluetooth sur votre appareil compatible Bluetooth et placez-le à moins d'un mètre (trois pieds) rouge et blanche sur l'appareil. « **Singing Machine** » s'affichera dans la liste de recherche de votre appareil.

Remarque : Veuillez vous reporter au mode d'emploi de votre appareil Bluetooth pour obtenir des instructions détaillées.

4 Sélectionnez « **Singing Machine** » pour démarrer le jumelage. Attendez que le jumelage soit terminé et que le témoin Bluetooth s'allume de manière constante.

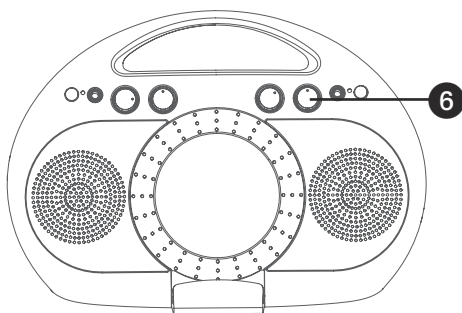
Remarques :

- Si l'appareil Bluetooth demande un mot de passe pendant le processus de jumelage, veuillez entrer « 0000 » pour établir la connexion.
- En cas d'échec du jumelage, répétez les étapes 2 à 4.
- Si un jumelage a été effectué précédemment, une liste de résultats de recherche précédents s'affichera. Sélectionnez « Singing Machine » et confirmez.
- Sur certains appareils Bluetooth (par ex.: ordinateurs), lorsque le jumelage est terminé, vous devez sélectionner l'appareil à l'aide de l'option « Utiliser comme périphérique audio » ou d'une option semblable.

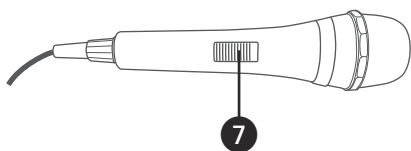
5 **LECTURE/PAUSE :** Appuyez sur la touche **Lecture/Pause** de l'appareil Bluetooth pour démarrer la lecture.

Utilisation

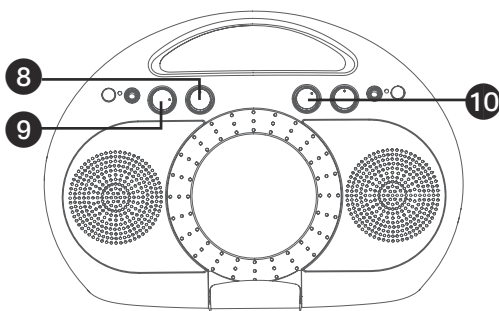
Utilisation d'un appareil Bluetooth



6 Assurez-vous de régler le volume de l'appareil Bluetooth à un niveau moyen, puis réglez le volume à un niveau confortable à l'aide de la commande **VOLUME PRINCIPAL (MASTER VOLUME)**.



7 Connectez le ou les micro(s), puis glissez l'interrupteur **ON/OFF** de chaque micro à la position ON. De plus, placez votre appareil Bluetooth sur le support après le jumelage, si nécessaire.

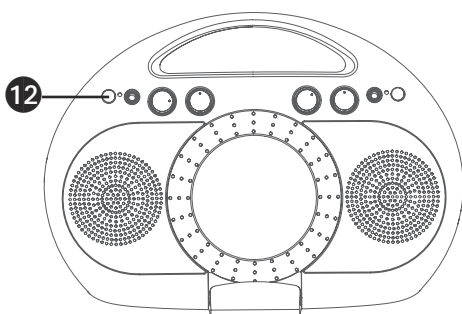


8 Réglez le **VOLUME du MIC** au niveau désiré. La hausse de cette commande permet d'augmenter le volume des microphones respectifs.

9 **ÉCHO** : Réglez la commande **ÉCHO** pour appliquer un effet d'écho à votre voix.

10 **BALANCE**: La commande Balance vous permet d'éliminer la voix du chanteur en tournant le bouton vers la gauche lors de la lecture d'un enregistrement multiplex, ou encore d'éliminer la musique en tournant le bouton vers la droite. Cette fonction est disponible uniquement avec les médias multiplex.

Remarque : Si vous n'écoutez pas un enregistrement multiplex, ce bouton contrôlera la balance des haut-parleurs gauche et droit.

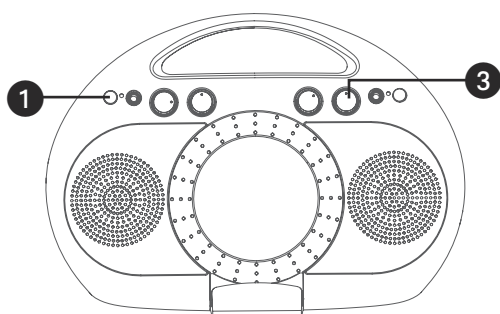


11 Faites fonctionner l'appareil Bluetooth à l'aide de ses commandes.

12 Appuyez sur la touche d'alimentation **ON/OFF** pour éteindre l'appareil; le témoin d'alimentation s'éteindra

Utilisation

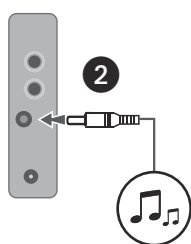
Utilisation des prises d'entrée Aux



1 Raccordez l'appareil de la manière décrite précédemment. Appuyez sur la touche d'alimentation **ON/OFF** pour allumer l'appareil; le témoin d'alimentation s'allumera.

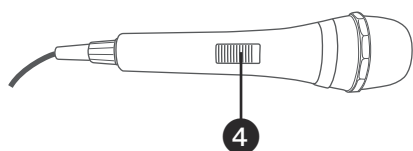
2 Raccordez l'appareil externe à la prise d'entrée **AUX IN**. Lorsque le raccordement est effectué, la fonction Aux est sélectionnée automatiquement.

Remarques : Nous vous conseillons vivement de régler le volume de l'appareil auxiliaire sur 1/3 ou moins pour éviter toute distorsion.

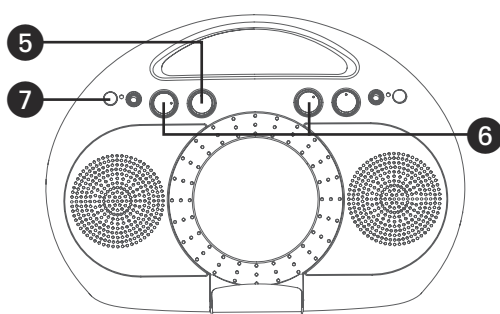


3 Ajustez le volume à un niveau qui vous convient en utilisant le contrôle **VOLUME MAÎTRE (MASTER VOLUME)**.

4 Connectez le ou les micro(s), puis glissez leur interrupteur **ON/OFF** à la position ON.



5 Ajustez le **volume du microphone** comme désiré. Ce contrôle sert à augmenter le volume des microphones respectifs.



6 Réglez les effets d'écho et d'équilibre, tel qu'indiqué aux page F6.

7 Appuyez sur la touche d'alimentation **ON/OFF** pour éteindre l'appareil; le témoin d'alimentation s'éteindra.

Guide de dépannage

En cas de problème avec cet appareil, vérifiez les points suivants avant de le faire réparer :

Aucune alimentation

- L'appareil n'est pas allumé; appuyez le bouton Alimentation pour le mettre sous tension.
- Assurez-vous que l'unité soit bien connectée à la prise de la source d'alimentation.
- Les piles sont épuisées ou installées incorrectement. Insérez les piles de la manière illustrée à la page F3.

Aucun son – Généralités

- Le **volume principal** est au minimum; montez le volume
- Un câble est connecté à la prise AUX IN. Lorsqu'un câble est connecté, la fonction d'entrée Aux In est sélectionnée. Débranchez-le pour sélectionner la fonction Bluetooth.

Aucun son du microphone

- Assurez-vous qu'il soit solidement connecté aux prises MIC1 ou MIC2.
- Assurez-vous qu'il soit allumé..
- Assurez-vous que les contrôle **MIC VOLUME** ne soient pas paramétrés aux plus bas niveaux.
- Le **MASTER VOLUME** est au minimum; augmentez le volume.

L'appareil Bluetooth ne peut pas être jumelé ou connecté avec l'appareil.

- Assurez-vous que tous les autres dispositifs Bluetooth sont éteints pour éviter un jumelage accidentel.
- Éteignez l'appareil; attendez cinq secondes, puis rallumez-le pour rétablir automatiquement la connexion avec l'appareil jumelé.
- Vous n'avez pas activé la fonction Bluetooth de votre appareil; consultez la page F5 ou reportez-vous au mode d'emploi de l'appareil Bluetooth.
- L'appareil n'est pas en mode de jumelage; consultez la page F5 pour le jumeler.

La lecture musicale n'est pas disponible sur l'appareil après l'établissement de la connexion Bluetooth.

- Assurez-vous que l'appareil Bluetooth est compatible avec le profil Bluetooth A2DP.

Caractéristiques techniques

AUDIO

Puissance de sortie2.12mW Watts (RMS)
Impédance de sortie..... 6 Ohms

BLUETOOTH

Bluetooth VersionV4.2
Working Distance.....Jusqu'à 10 mètres mesurée en espace ouvert

GENERAL

Alimentation (AC) AC 110-240 V, 50/60 Hz
Alimentation (DC) DC 6V (4 x "C" cell)
Adaptateur CC Adaptateur à centre positif 5.6 V CC, 1,0 A
Dimensions..... 14,8 x 6,2 x 9,1 pouces / 37,6 x 15,7 x 23,1 cm
Poids 2.51 lbs / 1.14 kg
Microphone..... Impédance -68 dB 600 Ohms avec microphone dynamique 6,3 mm

Caractéristiques sujettes à modifications sans préavis.

Le mot et le logo Bluetooth® sont des marques déposées de Bluetooth SIG, Inc. Leur utilisation par The Singing Machine Company est soumise à une licence. Toutes les autres marques sont la propriété de leurs détenteurs respectifs.

Visit Our Website: www.singingmachine.com
Visite nuestro sitio web: www.singingmachine.com
Visitez notre site Internet au: www.singingmachine.com

Responsible Party Information as follow:

Company Name The Singing Machine Company, Inc.

Address 6301 NW 5th Way, Suite 2900, Fort Lauderdale, FL 33309, USA

Contact name Gary Atkinson

Telephone 954-596-1000

Website www.singingmachine.com

Copyright © 2018 All Rights Reserved.

Copyright © 2018 Todos los derechos reservados.

Droit d'auteur © 2018 Tous Droits Réservé.

PRINTED IN CHINA
IMPRESO EN CHINA
IMPRIMÉ EN CHINE
398-1806-ESF01-US