

FCC 47 CFR PART 15 SUBPART C

Product Type : phorus wifi / Bluetooth Speaker
Applicant : Phorus,Inc.
Address : 16255 Ventura Boulevard, Encino, California, 91436, United States
Trade Name : phorus
Model Number : PS5 SPEAKER
Test Specification : FCC 47 CFR PART 15 SUBPART C: Oct., 2013
ANSI C63.4:2009
Receive Date : Oct. 22, 2014
Test Period : Oct. 24~Oct. 28, 2014
Issue Date : Dec. 09, 2014

Issue by

A Test Lab Techno Corp.
No. 140-1, Changan Street, Bade City,
Taoyuan County 334, Taiwan R.O.C.
Tel : +886-3-2710188 / Fax : +886-3-2710190



Taiwan Accreditation Foundation accreditation number: 1330
FCC Test Firm Information: 510205
IC Test Firm Information: 7381A-1

Note: This report shall not be reproduced except in full, without the written approval of A Test Lab Techno Corp. This document may be altered or revised by A Test Lab Techno Corp. personnel only, and shall be noted in the revision section of the document. The client should not use it to claim product endorsement by TAF, or any government agencies. The test results in the report only apply to the tested sample.

Revision History

Rev.	Issue Date	Revisions	Revised By
00	Nov. 14, 2014	Initial Issue	
01	Dec. 09, 2014	Revised report information.	Snow Wang

Verification of Compliance

Issued Date: 12/09/2014

Product Type : phorus wifi / Bluetooth Speaker
Applicant : Phorus, Inc.
Address : 16255 Ventura Boulevard, Encino, California, 91436, United States
Trade Name : phorus
Model Number : PS5 SPEAKER
FCC ID : 2AAWQ-PS5SPEAKER
EUT Rated Voltage : DC 12V, 2A
Test Voltage : 120 Vac / 60 Hz
Applicable Standard : FCC 47 CFR PART 15 SUBPART C: Oct., 2013
ANSI C63.4:2009
Test Result : Complied
Performing Lab. : A Test Lab Techno Corp.

No. 140-1, Changan Street, Bade City,
Taoyuan County 334, Taiwan R.O.C.
Tel : +886-3-2710188 / Fax : +886-3-2710190



Taiwan Accreditation Foundation accreditation number: 1330
FCC Test Firm Information: 510205
IC Test Firm Information: 7381A-1
<http://www.atl-lab.com.tw/e-index.htm>

The above equipment was tested by A Test Lab Techno Corp. The test data, data evaluation, test procedures, and equipment configurations shown in this report were made in accordance with the procedures given in ANSI C63.4: 2009 and the energy emitted by the sample tested as described in this report is in compliance with the requirements of FCC Rules Part 15.207, 15.209, 15.247 .

The test results of this report relate only to the tested sample identified in this report.

Approved By : Fly Lu (Fly Lu) Reviewed By : Eric Ou Yang (Eric Ou Yang)
(Manager) (Testing Engineer)

TABLE OF CONTENTS

1	General Information	6
	1.1. Summary of Test Result	6
	1.2. Measurement Uncertainty	6
2	EUT Description	7
3	Test Methodology	8
	3.1. Mode of Operation	8
	3.2. EUT Exercise Software	8
	3.3. Configuration of Test System Details	9
	3.4. Test Site Environment	9
4	Maximum Conducted Output Power Measurement	10
	4.1. Limit.....	10
	4.2. Test Setup	10
	4.3. Test Instruments	10
	4.4. Test Procedure	10
	4.5. Test Result	11
5	Conducted Emission Measurement	13
	5.1. Limit.....	13
	5.2. Test Instruments.....	13
	5.3. Test Setup	13
	5.4. Test Procedure	14
	5.5. Test Result	15
6	Radiated Interference Measurement	17
	6.1. Limit.....	17
	6.2. Test Instruments.....	17
	6.3. Setup.....	18
	6.4. Test Procedure	19
	6.5. Test Result	20
7	20dB RF Bandwidth and 99 % Occupied Bandwidth Measurement	24
	7.1. Limit.....	24
	7.2. Test Setup	24
	7.3. Test Instruments.....	24
	7.4. Test Procedure	24
	7.5. Test Result	25
	7.6. Test Graphs	26

8	Carrier Frequency Separation Measurement	28
	8.1. Limit.....	28
	8.2. Test Setup	28
	8.3. Test Instruments.....	28
	8.4. Test Procedure	28
	8.5. Test Result	29
	8.6. Test Graphs	30
9	Number of Hopping Measurement	32
	9.1. Limit.....	32
	9.2. Test Setup	32
	9.3. Test Instruments.....	32
	9.4. Test Procedure	32
	9.5. Test Result	33
	9.6. Test Graphs	34
10	Time of Occupancy (Dwell Time) Measurement	36
	10.1. Limit.....	36
	10.2. Test Setup	36
	10.3. Test Instruments.....	36
	10.4. Test Procedure	36
	10.5. Test Result	37
	10.6. Test Graphs	39
11	Out of Band Conducted Emissions Measurement	41
	11.1. Limit.....	41
	11.2. Test Setup	41
	11.3. Test Instruments.....	41
	11.4. Test Procedure	41
	11.5. Test Graphs	42
12	Band Edges Measurement	46
	12.1. Limit.....	46
	12.2. Test Setup	46
	12.3. Test Instruments.....	46
	12.4. Test Procedure	47
	12.5. Test Result	48
13	Antenna Measurement	51
	13.1. Limit.....	51
	13.2. Antenna Connector Construction.....	51

1 General Information

1.1. Summary of Test Result

Standard	Item	Result	Remark
15.247			
15.207	AC Power Conducted Emission	PASS	----
Standard	Item	Result	Remark
15.247			
15.247(b)(1)	Max. Output Power	PASS	----
15.247(d)	Transmitter Radiated Emissions	PASS	----
15.247(a)(1)	20dB RF Bandwidth	PASS	----
15.247(a)(1)	Carrier Frequency Separation	PASS	----
15.247(a)(1)(iii)	Number of Hopping	PASS	----
15.247(a)(1)(iii)	Time of Occupancy (Dwell Time)	PASS	----
15.247(d)	Out of Band Conducted Spurious Emission	PASS	----
15.247(d)	Band Edge Measurement	PASS	----
-	Occupied Bandwidth Measurement	PASS	----
15.203	Antenna Requirement	PASS	----

The test results of this report relate only to the tested sample(s) identified in this report. Manufacturer or whom it may concern should recognize the pass or fail of the test result.

1.2. Measurement Uncertainty

Test Item	Frequency Range	Uncertainty (dB)	
Conducted Emission	9kHz ~ 30MHz	± 2.02	
Radiated Emission	30MHz ~ 1000MHz	Horizontal	± 3.98
		Vertical	± 3.62
	1000MHz ~ 18000MHz	Horizontal	± 3.11
		Vertical	± 3.07
	18000MHz ~ 40000MHz	Horizontal	± 3.66
		Vertical	± 3.54

2 EUT Description

Product	phorus wifi / Bluetooth Speaker				
Trade Name	phorus				
Model Number	PS5 SPEAKER				
Applicant	Phorus, Inc. 16255 Ventura Boulevard, Encino, California, 91436, United States				
Manufacturer	Fugang Electronic(Dongguan) Co., LTD Industry Street, Dong-Keng, Dong-Guan, Guang-Dong, China				
FCC ID	2AAWQ-PS5SPEAKER				
Frequency Range	2402 ~ 2480 MHz				
Modulation Type	GFSK for 1Mbps				
	$\pi/4$ -DQPSK for 2Mbps				
	8DPSK for 3Mbps				
Antenna Type	Printing Type				
Antenna Gain	2.52 dBi				
RF Output Power (Conducted)	GFSK for 1Mbps	4.35	dBm /	0.0027	W
	$\pi/4$ -DQPSK for 2Mbps	6.59	dBm /	0.0046	W
	8DPSK for 3Mbps	6.87	dBm /	0.0049	W

3 Test Methodology

3.1. Mode of Operation

Decision of Test ATL has verified the construction and function in typical operation. All the test modes were carried out with the EUT in normal operation, which was shown in this test report and defined as:

Test Mode
Mode 1: Normal Operation Mode
Mode 2: GFSK Link Mode
Mode 3: $\pi/4$ -DQPSK Link Mode
Mode 4: 8DPSK Link Mode

Description of Test Modes

Preliminary tests were performed in different modulation to find the worst case. The modulation has shown the worst-case in section 4.5. Investigation has been done on all the possible configurations for searching the worst cases.

Tested System Details

The types for all equipments, plus descriptions of all cables used in the tested system (including inserted cards) are:

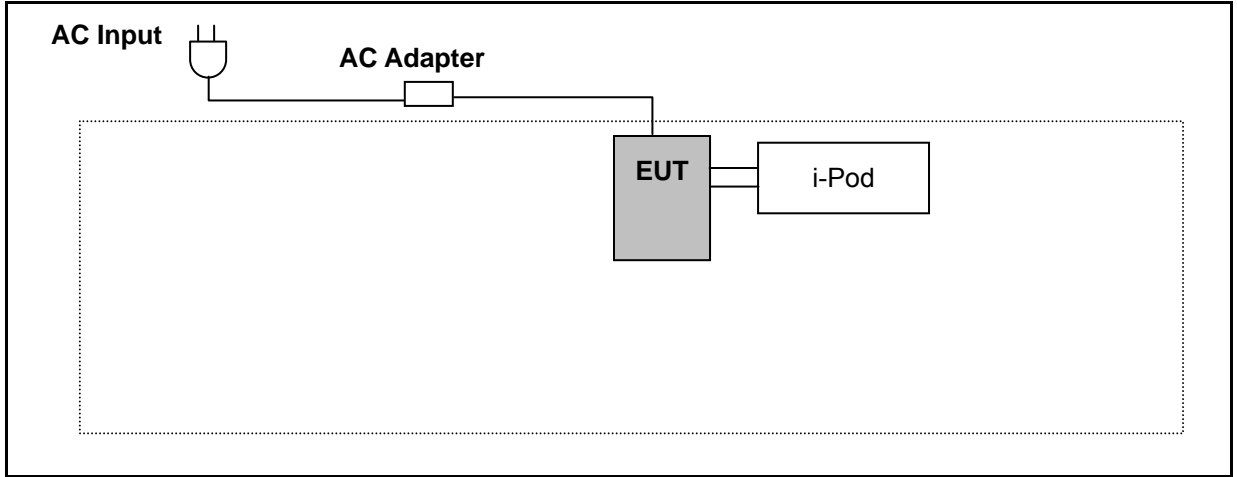
	Product	Manufacturer	Model Number	Serial Number	Power Cord
1.	Bluetooth Tester	R & S	CBT	100350	NA

3.2. EUT Exercise Software

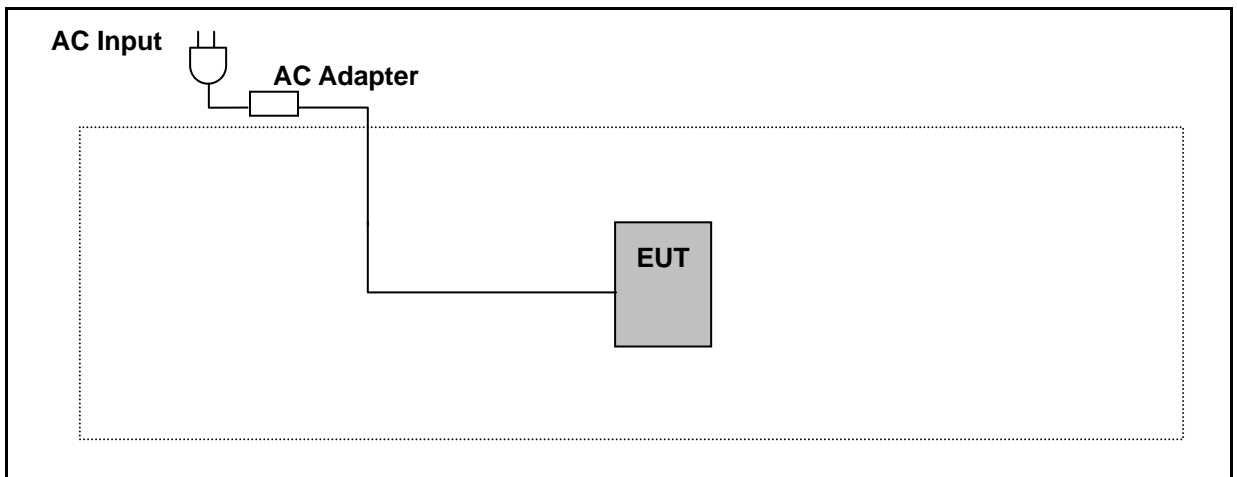
1	Setup the EUT and Bluetooth Tester (CBT) as shown on 3.3.
2	Turn on the power of all equipment.
3	EUT run test program.
4	Open Bluetooth function link to CBT.

3.3. Configuration of Test System Details

Conducted Emissions



Radiated Emissions



3.4. Test Site Environment

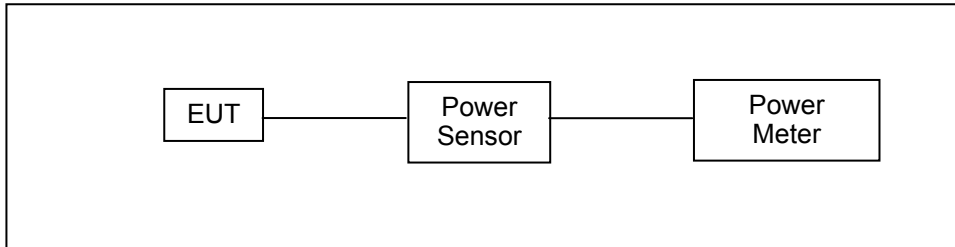
Items	Required (IEC 60068-1)	Actual
Temperature (°C)	15-35	26
Humidity (%RH)	25-75	60
Barometric pressure (mbar)	860-1060	950

4 Maximum Conducted Output Power Measurement

4.1. Limit

For frequency hopping systems operating in the 2400–2483.5 MHz band employing at least 75 non-overlapping hopping channels < 0.125 watt.

4.2. Test Setup



4.3. Test Instruments

Equipment	Manufacturer	Model Number	Serial Number	Cal. Date	Remark
Single Channel PK Power Sensor	Agilent	N1911A	MY45101619	12/21/2013	(1)
Wideband Power Meter	Agilent	N1921A	MY45241957	12/21/2013	(1)
Test Site	ATL	TE02	TE02	N.C.R.	-----

Remark: (1) Calibration period 1 year. (2) Calibration period 2 years.

NOTE: N.C.R. = No Calibration Request.

4.4. Test Procedure

Testing must be done according to this procedure, FCC Public Notice DA 00-705 - Filing and Measurement Guidelines for Frequency Hopping Spread Spectrum Systems. This is the only method recognized by the FCC. The tests below are run with the EUT's transmitter set at high power in TX mode. The EUT is needed to force selection of output power level and channel number. While testing, EUT was set to transmit continuously. Remove the Subjective device's antenna and connect the RF output port to power sensor. The maximum peak output power shall not exceed 1 watt.

Use a direct connection between the antenna port of transmitter and the power sensor, for prevent the power sensor input attenuation 40-50 dB. Set the RBW Bandwidth of the emission or use a channel power meter mode. For antennas with gains of 6 dBi or less, maximum allowed transmitter output is 1 watt (+30 dBm). For antennas with gains greater than 6 dBi, transmitter output level must be decreased by an amount equal to (GAIN - 6)/3 dBm. The antenna port of the EUT was connected to the input of a power sensor. Power was read directly and cable loss correction was added to the reading to obtain power at the EUT antenna terminals.

4.5. Test Result

Model Number	PS5 SPEAKER					
Test Item	Maximum Conducted Output Power					
Test Mode	Mode 2: GFSK Link Mode					
Date of Test	10/24/2014			Test Site	TE02	
Frequency (MHz)	Packet Type	Average Power		Peak Power		Limit (W)
		(dBm)	(W)	(dBm)	(W)	
2402	DH1	-1.45	0.0007	3.80	0.0024	< 0.125
	DH3	1.76	0.0015	3.81	0.0024	< 0.125
	DH5	2.46	0.0018	3.84	0.0024	< 0.125
2441	DH1	-1.06	0.0008	4.18	0.0026	< 0.125
	DH3	2.17	0.0016	4.19	0.0026	< 0.125
	DH5	2.81	0.0019	4.21	0.0026	< 0.125
2480	DH1	-0.98	0.0008	4.32	0.0027	< 0.125
	DH3	2.22	0.0017	4.34	0.0027	< 0.125
	DH5	2.86	0.0019	4.35	0.0027	< 0.125

Model Number	PS5 SPEAKER					
Test Item	Maximum Conducted Output Power					
Test Mode	Mode 3: $\pi/4$ -DQPSK Mode					
Date of Test	10/24/2014			Test Site	TE02	
Frequency (MHz)	Packet Type	Average Power		Peak Power		Limit (W)
		(dBm)	(W)	(dBm)	(W)	
2402	DH1	0.08	0.0010	6.57	0.0045	< 0.125
	DH3	2.70	0.0019	6.57	0.0045	< 0.125
	DH5	3.24	0.0021	6.59	0.0046	< 0.125
2441	DH1	-0.16	0.0010	6.31	0.0043	< 0.125
	DH3	2.48	0.0018	6.31	0.0043	< 0.125
	DH5	3.05	0.0020	6.32	0.0043	< 0.125
2480	DH1	-0.96	0.0008	5.65	0.0037	< 0.125
	DH3	1.64	0.0015	5.65	0.0037	< 0.125
	DH5	2.20	0.0017	5.67	0.0037	< 0.125

Model Number	PS5 SPEAKER					
Test Item	Maximum Conducted Output Power					
Test Mode	Mode 4: 8DPSK Link Mode					
Date of Test	10/24/2014			Test Site	TE02	
Frequency (MHz)	Packet Type	Average Power		Peak Power		Limit (W)
		(dBm)	(W)	(dBm)	(W)	
2402	DH1	0.09	0.0010	6.79	0.0048	< 0.125
	DH3	2.71	0.0019	6.83	0.0048	< 0.125
	DH5	3.25	0.0021	6.87	0.0049	< 0.125
2441	DH1	-0.15	0.0010	6.52	0.0045	< 0.125
	DH3	2.49	0.0018	6.52	0.0045	< 0.125
	DH5	3.06	0.0020	6.54	0.0045	< 0.125
2480	DH1	-0.95	0.0008	5.91	0.0039	< 0.125
	DH3	1.66	0.0015	5.92	0.0039	< 0.125
	DH5	2.23	0.0017	5.94	0.0039	< 0.125

5 Conducted Emission Measurement

5.1. Limit

Frequency (MHz)	Quasi-peak	Average
0.15 - 0.5	66 to 56	56 to 46
0.50 - 5.0	56	46
5.0 - 30.0	60	50

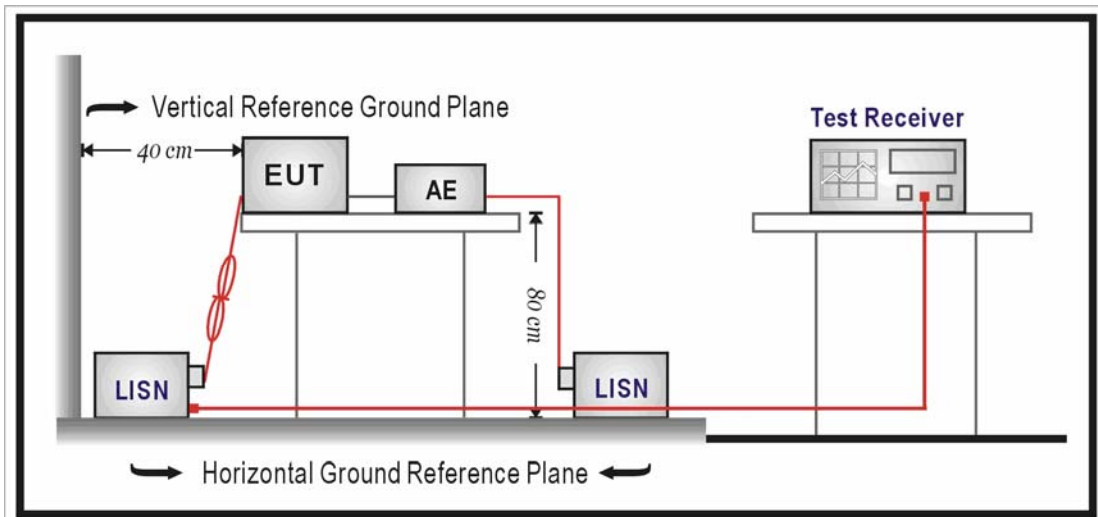
5.2. Test Instruments

Describe	Manufacturer	Model Number	Serial Number	Cal. Date	Remark
Test Receiver	R&S	ESCI	100367	06/12/2014	(1)
LISN	R&S	ENV216	101040	03/07/2014	(1)
LISN	R&S	ENV216	101041	03/07/2014	(1)
Test Site	ATL	TE05	TE05	N.C.R.	-----

Remark: (1) Calibration period 1 year. (2) Calibration period 2 years.

NOTE: N.C.R. = No Calibration Request.

5.3. Test Setup



5.4. Test Procedure

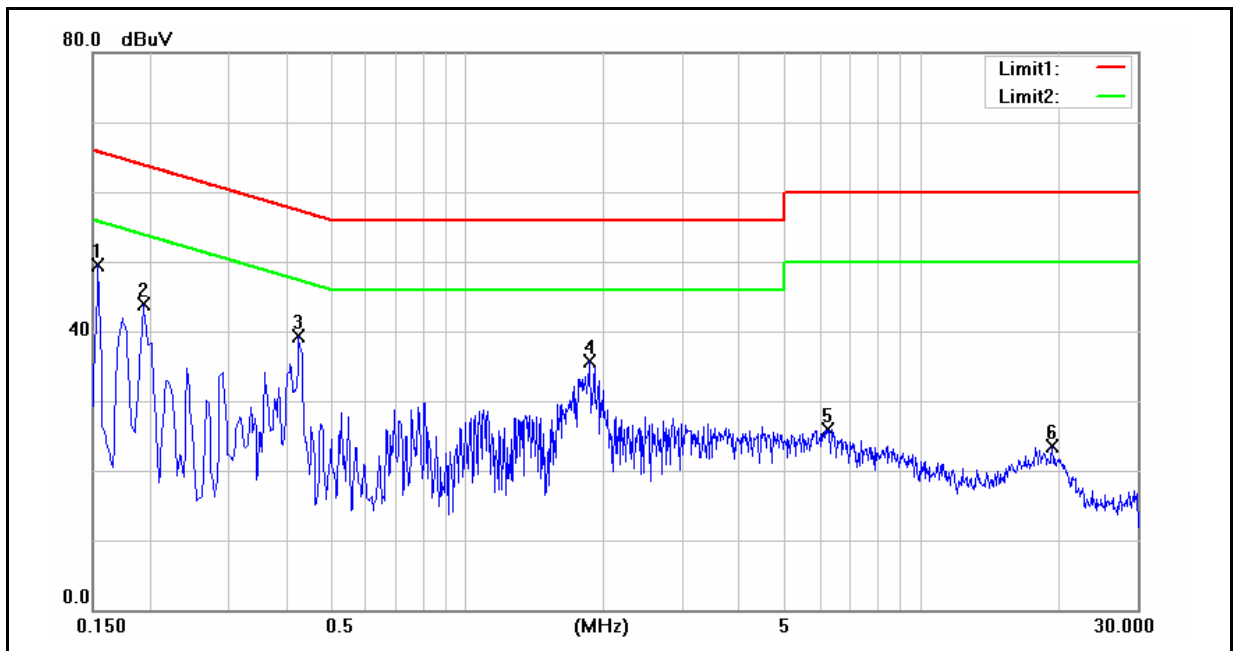
The power line conducted emission measurements were performed in a shielded enclosure. The EUT was assembled on a wooden table which is 80 centimeters high, was placed 40 centimeters from the back wall and at least 1 meter from the sidewall.

Power was fed to the EUT from the public utility power grid through a line filter and EMCO Model 3162/2 SH Line Impedance Stabilization Networks (LISN). The LISN housing, measuring instrumentation case, ground plane, etc., were electrically bonded together at the same RF potential. The Spectrum analyzer was connected to the AC line through an isolation transformer. The 50-ohm output of the LISN was connected to the spectrum analyzer directly. Conducted emission levels were in the CISPR quasi-peak detection mode. The analyzer's 6 dB bandwidth was set to 9 KHz. No post-detector video filter was used.

The spectrum was scanned from 150 KHz to 30 MHz. The physical arrangement of the test system and associated cabling was varied (within the scope of arrangements likely to be encountered in actual use) to determine the effect on the unit's emanations in amplitude and frequency. All spurious emission frequencies were observed. The highest emission amplitudes relative to the appropriate limit were measured and have been recorded in paragraph 4.1.

5.5. Test Result

Standard:	FCC Part 15C	Line:	L1
Test item:	Conducted Emission	Power:	AC 120V/60Hz
Model Number:	PS5 SPEAKER	Temp.(°C)/Hum.(%RH):	26(°C)/60%RH
Mode:	Mode 1	Date:	10/24/2014
		Test By:	Eric Ou Yang
Description:			

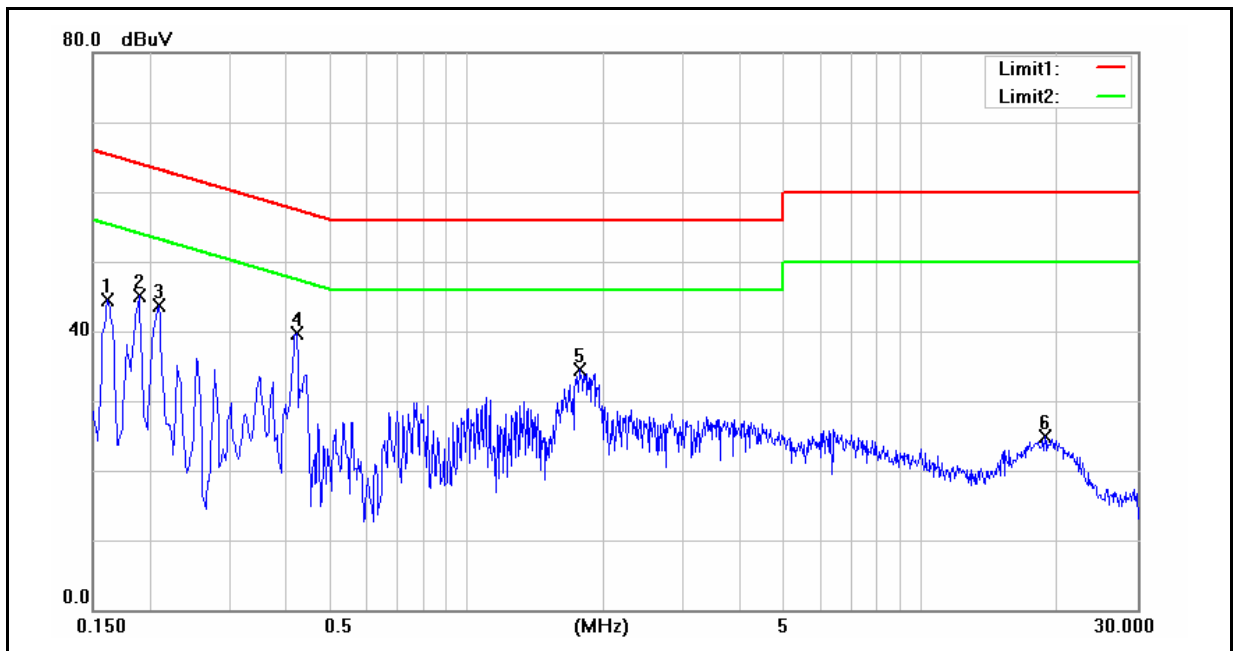


No.	Frequency (MHz)	QP reading (dBuV)	AVG reading (dBuV)	Correction factor (dB)	QP result (dBuV)	AVG result (dBuV)	QP limit (dBuV)	AVG limit (dBuV)	QP margin (dB)	AVG margin (dB)	Remark
1	0.1540	36.97	19.06	9.60	46.57	28.66	65.78	55.78	-19.21	-27.12	Pass
2	0.1940	32.51	17.82	9.60	42.11	27.42	63.86	53.86	-21.75	-26.44	Pass
3	0.4260	27.75	18.11	9.61	37.36	27.72	57.33	47.33	-19.97	-19.61	Pass
4	1.8660	23.23	13.82	9.68	32.91	23.50	56.00	46.00	-23.09	-22.50	Pass
5	6.2260	10.39	3.45	9.83	20.22	13.28	60.00	50.00	-39.78	-36.72	Pass
6	19.5060	7.00	-0.35	10.23	17.23	9.88	60.00	50.00	-42.77	-40.12	Pass

Note: 1. Result (dBuV) = Correction factor (dB) + Reading(dBuV).

2. Correction factor (dB) = Cable loss (dB) + L.I.S.N. factor (dB).

Standard:	FCC Part 15C	Line:	N
Test item:	Conducted Emission	Power:	AC 120V/60Hz
Model Number:	PS5 SPEAKER	Temp.(°C)/Hum.(%RH):	26(°C)/60%RH
Mode:	Mode 1	Date:	10/24/2014
		Test By:	Eric Ou Yang
Description:			



No.	Frequency (MHz)	QP reading (dBuV)	AVG reading (dBuV)	Correction factor (dB)	QP result (dBuV)	AVG result (dBuV)	QP limit (dBuV)	AVG limit (dBuV)	QP margin (dB)	AVG margin (dB)	Remark
1	0.1620	35.57	16.82	9.60	45.17	26.42	65.36	55.36	-20.19	-28.94	Pass
2	0.1900	33.05	18.50	9.60	42.65	28.10	64.04	54.04	-21.39	-25.94	Pass
3	0.2100	30.36	17.95	9.60	39.96	27.55	63.21	53.21	-23.25	-25.66	Pass
4	0.4220	28.27	19.47	9.61	37.88	29.08	57.41	47.41	-19.53	-18.33	Pass
5	1.7740	17.48	12.73	9.69	27.17	22.42	56.00	46.00	-28.83	-23.58	Pass
6	18.7820	9.69	2.94	10.20	19.89	13.14	60.00	50.00	-40.11	-36.86	Pass

Note: 1. Result (dBuV) = Correction factor (dB) + Reading(dBuV).

2. Correction factor (dB) = Cable loss (dB) + L.I.S.N. factor (dB).

6 Radiated Interference Measurement

6.1. Limit

According to §15.209(a), except as provided elsewhere in this subpart, the emissions from an intentional radiator shall not exceed the field strength levels specified in the following table:

Frequency (MHz)	Field Strength ($\mu\text{V}/\text{m}$ at meter)	Measurement Distance (meters)
0.009 – 0.490	2400 / F (kHz)	300
0.490 – 1.705	24000 / F (kHz)	30
1.705 – 30.0	30	30
30 - 88	100**	3
88-216	150**	3
216-960	200**	3
Above 960	500	3

** Except as provided in paragraph (g), fundamental emissions from intentional radiators operating under this Section shall not be located in the frequency bands 54-72 MHz, 76-88 MHz, 174-216 MHz or 470-806 MHz. However, operation within these frequency bands is permitted under other sections of this Part, e.g., Sections 15.231 and 15.241.

6.2. Test Instruments

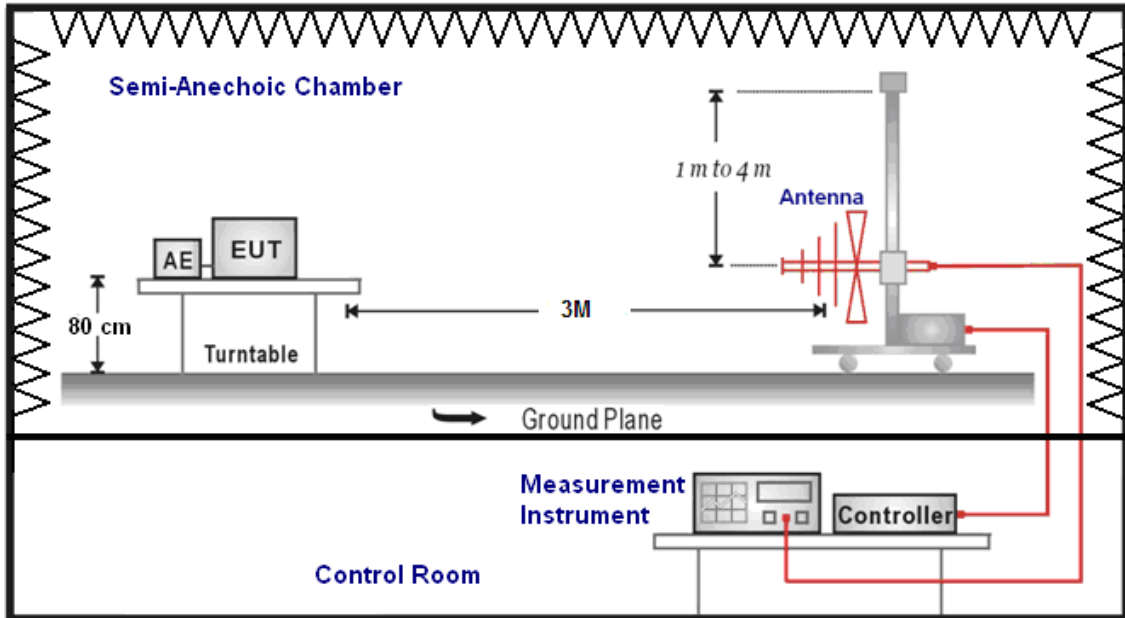
3 Meter Chamber					
Equipment	Manufacturer	Model Number	Serial Number	Cal. Date	Remark
RF Pre-selector	Agilent	N9039A	MY46520256	01/10/2014	(1)
Spectrum Analyzer	Agilent	E4446A	MY46180578	01/10/2014	(1)
Pre Amplifier	Agilent	8449B	3008A02237	02/21/2014	(1)
Pre Amplifier	Agilent	8447D	2944A10961	02/21/2014	(1)
Broadband Antenna (30MHz~1GHz)	SCHWARZBECK MESS-ELEKTRONIK	VULB9163	9163-270	07/22/2014	(1)
Horn Antenna (1~18GHz)	SCHWARZBECK MESS-ELEKTRONIK	BBHA9120D	9120D-550	06/11/2014	(1)
Horn Antenna (18~40GHz)	SCHWARZBECK MESS-ELEKTRONIK	BBHA9170	9170-320	06/13/2014	(1)
Loop Antenna	COM-POWER CORPORATION	AL-130	121014	08/14/2012	(3)
Test Site	ATL	TE01	888001	08/28/2014	(1)

Remark: (1) Calibration period 1 year. (2) Calibration period 2 years. (3) Calibration period 3 years.

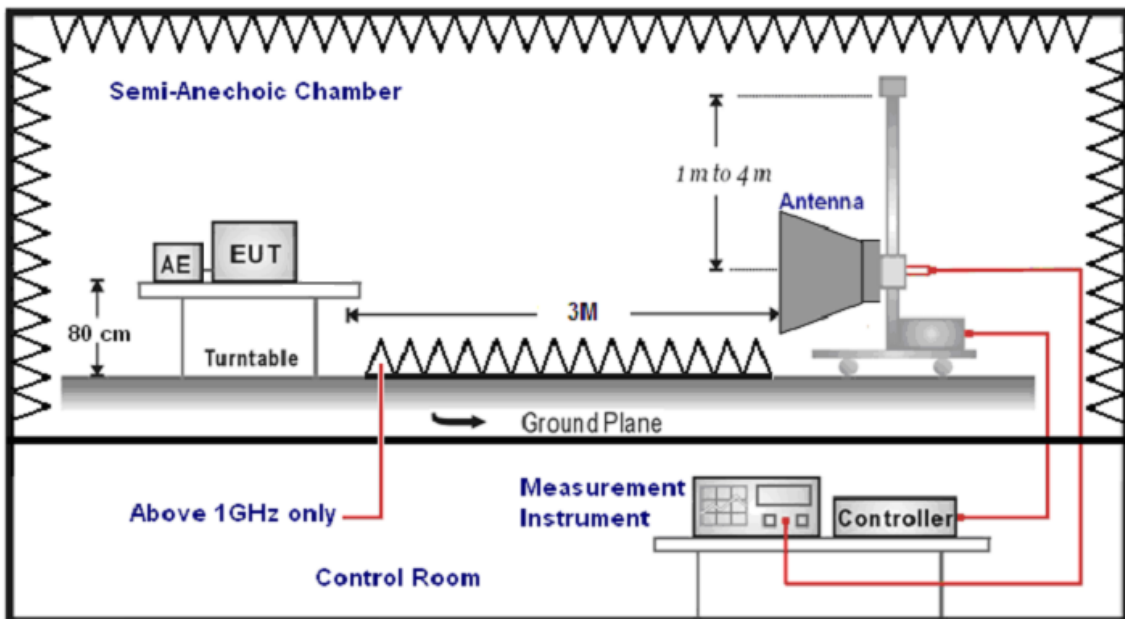
NOTE: N.C.R. = No Calibration Request.

6.3. Setup

Below 1GHz



Above 1GHz



6.4. Test Procedure

Final radiation measurements were made on a three-meter, Semi Anechoic Chamber. The EUT system was placed on a nonconductive turntable which is 0.8 meters height, top surface 1.0 x 1.5 meter. The spectrum was examined from 250 MHz to 2.5 GHz in order to cover the whole spectrum below 10th harmonic which could generate from the EUT. During the test, EUT was set to transmit continuously & Measurements spectrum range from 9 kHz to 26.5 GHz is investigated.

For measurements below 1 GHz the resolution bandwidth is set to 100 kHz for peak detection measurements or 120 kHz for quasi-peak detection measurements. Peak detection is used unless otherwise noted as quasi-peak.

For measurements above 1 GHz the resolution bandwidth is set to 1 MHz, and then the video bandwidth is set to 1 MHz for peak measurements and 10 Hz for average measurements.

A nonconductive material surrounded the EUT to supporting the EUT for standing on three orthogonal planes. At each condition, the EUT was rotated 360 degrees, and the antenna was raised and lowered from one to four meters to find the maximum emission levels. Measurements were taken using both horizontal and vertical antenna polarization.

SCHWARZBECK MESS-ELEKTRONIK Biconilog Antenna (mode VULB9163) at 3 Meter and the SCHWARZBECK Double Ridged Guide Antenna (model BBHA9120D&9170) was used in frequencies 1 – 26.5 GHz at a distance of 1 meter. All test results were extrapolated to equivalent signal at 3 meters utilizing an inverse linear distance extrapolation Factor (20dB/decade).

For testing above 1GHz, the emission level of the EUT in peak mode was 20dB lower than average limit (that means the emission level in peak mode also complies with the limit in average mode), then testing will be stopped and peak values of EUT will be reported, otherwise, the emissions will be measured in average mode again and reported.

Appropriate preamplifiers were used for improving sensitivity and precautions were taken to avoid overloading or desensitizing the spectrum analyzer. No post – detector video filters were used in the test.

The spectrum analyzer's 6 dB bandwidth was set to 1 MHz, and the analyzer was operated in the peak detection mode, for frequencies both below and up 1 GHz. The average levels were obtained by subtracting the duty cycle correction factor from the peak readings.

The following procedures were used to convert the emission levels measured in decibels referenced to 1 microvolt (dBuV) into field intensity in micro volts per meter (uV/m).

The actual field intensity in decibels referenced to 1 microvolt in to field intensity in micro volts per meter (dBuV/m).

The actual field intensity in referenced to 1 microvolt per meter (dBuV/m) is determined by algebraically adding the measured reading in dBuV, the antenna factor (dB), and cable loss (dB) and Subtracting the gain of preamplifier (dB) is auto calculate in spectrum analyzer.

$$(1) \text{ Amplitude (dBuV/m) = FI (dBuV) +AF (dBuV) +CL (dBuV)-Gain (dB)}$$

FI= Reading of the field intensity.

AF= Antenna factor.

CL= Cable loss.

P.S Amplitude is auto calculate in spectrum analyzer.

$$(2) \text{ Actual Amplitude (dBuV/m) = Amplitude (dBuV)-Dis(dB)}$$

The FCC specified emission limits were calculated according the EUT operating frequency and by following linear interpolation equations:

(a) For fundamental frequency : Transmitter Output < +30dBm

(b) For spurious frequency : Spurious emission limits = fundamental emission limit /10

Data of measurement within this frequency range without mark in the table above means the reading of emissions are attenuated more than 20dB below the permissible limits or the field strength is too small to be measured.

6.5. Test Result

Below 1GHz

Standard:	FCC Part 15C	Test Distance:	3m
Test item:	Radiated Emission	Power:	AC 120V/60Hz
Model Number:	PS5 SPEAKER	Temp.(°C)/Hum.(%RH):	26(°C)/60%RH
Mode:	Mode 1	Date:	10/29/2014
		Test By:	Eric Ou Yang

Frequency (MHz)	Reading (dBuV)	Correct Factor (dB/m)	Result (dBuV/m)	Limit (dBuV/m)	Margin (dB)	Remark	Ant.Polar. H / V
96.0000	42.65	-14.72	27.93	43.50	-15.57	QP	H
240.0000	35.66	-12.25	23.41	46.00	-22.59	QP	H
329.5000	35.22	-9.52	25.70	46.00	-20.30	QP	H
501.0000	32.22	-6.79	25.43	46.00	-20.57	QP	H
657.0000	26.75	-4.02	22.73	46.00	-23.27	QP	H
875.0000	28.17	-0.30	27.87	46.00	-18.13	QP	H
78.5000	43.67	-18.34	25.33	40.00	-14.67	QP	V
215.0000	39.43	-13.66	25.77	43.50	-17.73	QP	V
408.0000	38.37	-8.50	29.87	46.00	-16.13	QP	V
530.0000	38.86	-6.64	32.22	46.00	-13.78	QP	V
701.5000	29.31	-3.65	25.66	46.00	-20.34	QP	V
897.5000	25.84	0.33	26.17	46.00	-19.83	QP	V

Note: No emission found between lowest internal used/generated frequencies to 30MHz (9 kHz~30MHz).

Above 1GHz

Standard:	FCC Part 15C	Test Distance:	3m
Test item:	Radiated Emission	Power:	AC 120V/60Hz
Model Number:	PS5 SPEAKER	Temp.(°C)/Hum.(%RH):	26(°C)/60%RH
Mode:	Mode 2	Date:	10/29/2014
Frequency:	2402 MHz	Test By:	Eric Ou Yang

Frequency (MHz)	Reading (dBuV)	Correct Factor (dB/m)	Result (dBuV/m)	Limit (dBuV/m)	Margin (dB)	Remark	Ant.Polar. H / V
3170.000	36.28	6.28	42.56	74.00	-31.44	peak	H
4535.000	34.96	10.97	45.93	74.00	-28.07	peak	H
6103.000	34.01	16.19	50.20	74.00	-23.80	peak	H
2925.000	37.06	5.73	42.79	74.00	-31.21	peak	V
4486.000	35.82	10.83	46.65	74.00	-27.35	peak	V
6103.000	34.09	16.19	50.28	74.00	-23.72	peak	V

Standard:	FCC Part 15C	Test Distance:	3m
Test item:	Radiated Emission	Power:	AC 120V/60Hz
Model Number:	PS5 SPEAKER	Temp.(°C)/Hum.(%RH):	26(°C)/60%RH
Mode:	Mode 2	Date:	10/29/2014
Frequency:	2441 MHz	Test By:	Eric Ou Yang

Frequency (MHz)	Reading (dBuV)	Correct Factor (dB/m)	Result (dBuV/m)	Limit (dBuV/m)	Margin (dB)	Remark	Ant.Polar. H / V
3058.000	38.30	6.04	44.34	74.00	-29.66	peak	H
4549.000	34.48	11.01	45.49	74.00	-28.51	peak	H
6026.000	33.48	15.95	49.43	74.00	-24.57	peak	H
2918.000	37.77	5.70	43.47	74.00	-30.53	peak	V
4507.000	34.15	10.89	45.04	74.00	-28.96	peak	V
5907.000	33.65	15.60	49.25	74.00	-24.75	peak	V

Standard:	FCC Part 15C	Test Distance:	3m
Test item:	Radiated Emission	Power:	AC 120V/60Hz
Model Number:	PS5 SPEAKER	Temp.(°C)/Hum.(%RH):	26(°C)/60%RH
Mode:	Mode 2	Date:	10/29/2014
Frequency:	2480 MHz	Test By:	Eric Ou Yang

Frequency (MHz)	Reading (dBuV)	Correct Factor (dB/m)	Result (dBuV/m)	Limit (dBuV/m)	Margin (dB)	Remark	Ant.Polar. H / V
3121.000	37.98	6.17	44.15	74.00	-29.85	peak	H
4542.000	35.42	10.99	46.41	74.00	-27.59	peak	H
5998.000	34.05	15.88	49.93	74.00	-24.07	peak	H
3114.000	37.20	6.16	43.36	74.00	-30.64	peak	V
4507.000	35.72	10.89	46.61	74.00	-27.39	peak	V
6019.000	33.12	15.94	49.06	74.00	-24.94	peak	V

Standard:	FCC Part 15C	Test Distance:	3m
Test item:	Radiated Emission	Power:	AC 120V/60Hz
Model Number:	PS5 SPEAKER	Temp.(°C)/Hum.(%RH):	26(°C)/60%RH
Mode:	Mode 4	Date:	10/29/2014
Frequency:	2402 MHz	Test By:	Eric Ou Yang

Frequency (MHz)	Reading (dBuV)	Correct Factor (dB/m)	Result (dBuV/m)	Limit (dBuV/m)	Margin (dB)	Remark	Ant.Polar. H / V
2890.000	36.53	5.63	42.16	74.00	-31.84	peak	H
4514.000	35.52	10.92	46.44	74.00	-27.56	peak	H
5970.000	32.97	15.78	48.75	74.00	-25.25	peak	H
2939.000	39.16	5.75	44.91	74.00	-29.09	peak	V
4514.000	35.66	10.92	46.58	74.00	-27.42	peak	V
5991.000	33.49	15.85	49.34	74.00	-24.66	peak	V

Standard:	FCC Part 15C	Test Distance:	3m
Test item:	Radiated Emission	Power:	AC 120V/60Hz
Model Number:	PS5 SPEAKER	Temp.(°C)/Hum.(%RH):	26(°C)/60%RH
Mode:	Mode 4	Date:	10/29/2014
Frequency:	2441 MHz	Test By:	Eric Ou Yang

Frequency (MHz)	Reading (dBuV)	Correct Factor (dB/m)	Result (dBuV/m)	Limit (dBuV/m)	Margin (dB)	Remark	Ant.Polar. H / V
3058.000	39.11	6.04	45.15	74.00	-28.85	peak	H
4598.000	35.28	11.14	46.42	74.00	-27.58	peak	H
6047.000	34.27	16.03	50.30	74.00	-23.70	peak	H
3289.000	36.31	6.55	42.86	74.00	-31.14	peak	V
4535.000	35.11	10.97	46.08	74.00	-27.92	peak	V
6061.000	33.90	16.07	49.97	74.00	-24.03	peak	V

Standard:	FCC Part 15C	Test Distance:	3m
Test item:	Radiated Emission	Power:	AC 120V/60Hz
Model Number:	PS5 SPEAKER	Temp.(°C)/Hum.(%RH):	26(°C)/60%RH
Mode:	Mode 4	Date:	10/29/2014
Frequency:	2480 MHz	Test By:	Eric Ou Yang

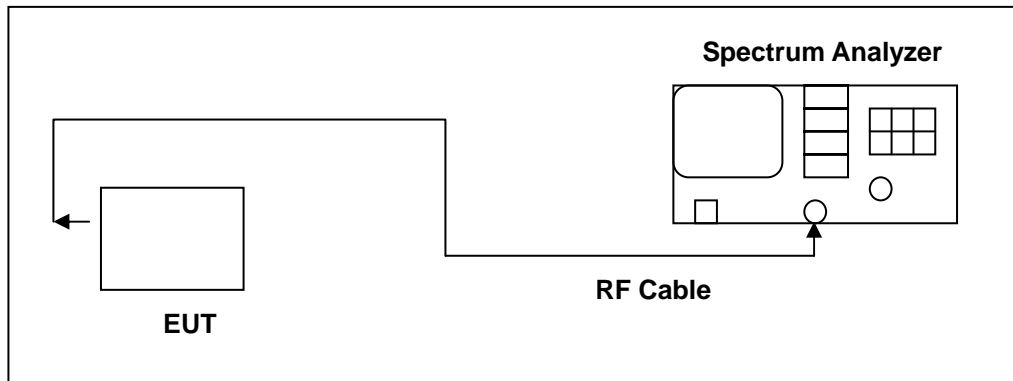
Frequency (MHz)	Reading (dBuV)	Correct Factor (dB/m)	Result (dBuV/m)	Limit (dBuV/m)	Margin (dB)	Remark	Ant.Polar. H / V
3107.000	37.28	6.14	43.42	74.00	-30.58	peak	H
4521.000	35.50	10.93	46.43	74.00	-27.57	peak	H
6005.000	33.54	15.90	49.44	74.00	-24.56	peak	H
3086.000	37.13	6.10	43.23	74.00	-30.77	peak	V
4535.000	34.25	10.97	45.22	74.00	-28.78	peak	V
6131.000	33.31	16.29	49.60	74.00	-24.40	peak	V

7 20dB RF Bandwidth Measurement

7.1. Limit

N/A

7.2. Test Setup



7.3. Test Instruments

Equipment	Manufacturer	Model Number	Serial Number	Cal. Date	Remark
Spectrum Analyzer	Agilent	E4445A	MY45300744	12/18/2013	(1)
Test Site	ATL	TE02	TE02	N.C.R.	-----

Remark: (1) Calibration period 1 year. (2) Calibration period 2 years.

NOTE: N.C.R. = No Calibration Request.

7.4. Test Procedure

20dB RF Bandwidth

Testing must be done according to this procedure, FCC Public Notice DA 00-705 - Filing and Measurement Guidelines for Frequency Hopping Spread Spectrum Systems. This is the only method recognized by the FCC. The RF output port of the Equipment-Under-Test is directly coupled to the input of the EMC analyzer through a specialized RF connector and a 10dB passive attenuator. A fully charged battery was used for the supply voltage. The Bluetooth frequency hopping function of the EUT was enabled. The spectrum analyzer used the following settings:

1. Span = approx. 2 to 3 times the 20dB bandwidth, centered on a hopping frequency
2. RBW \geq 1% of the 20dB span
3. VBW \geq RBW
4. Sweep = auto
5. Detector function = peak
6. Trace = max hold

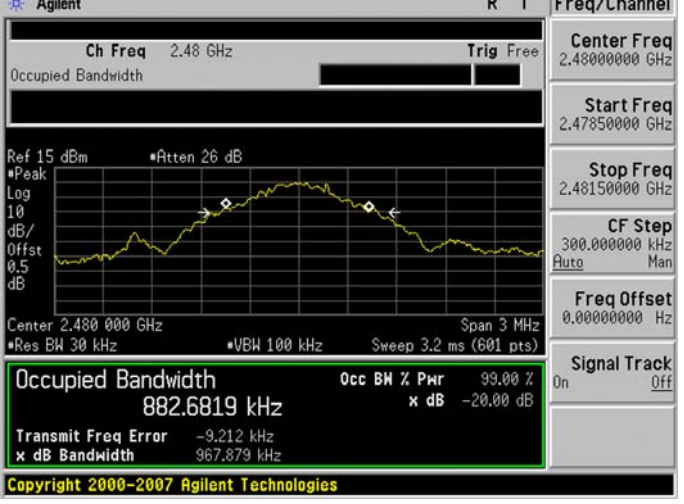
The trace was allowed to stabilize. The EUT was transmitting at its maximum data rate. The marker-to-peak function was used to set the marker to the peak of the emission. The marker-delta function was used to measure 20dB down one side of the emission. The marker-delta function and marker was moved to the other side of the emission until it was even with the reference marker. The marker-delta reading at this point was the 20dB bandwidth of the emission.

7.5. Test Result

Model Number	PS5 SPEAKER		
Test Item	20dB RF Bandwidth		
Test Mode	Mode 2: GFSK Link Mode		
Date of Test	10/28/2014	Test Site	TE02
Frequency (MHz)	20dB RF Bandwidth (MHz)	Limit (MHz)	
2402	0.95188	----	
2441	0.92124	----	
2480	0.96788	----	

Model Number	PS5 SPEAKER		
Test Item	20dB RF Bandwidth		
Test Mode	Mode 4: 8DPSK Link Mode		
Date of Test	10/28/2014	Test Site	TE02
Frequency (MHz)	20dB RF Bandwidth (MHz)	Limit (MHz)	
2402	1.29600	----	
2441	1.25700	----	
2480	1.27100	----	

7.6. Test Graphs

Mode 2: GFSK Link Mode	
2402	 <p>Agilent R T Freq/Channel</p> <p>Ch Freq 2.402 GHz Trig Free</p> <p>Center Freq 2.4020000 GHz</p> <p>Start Freq 2.4005000 GHz</p> <p>Stop Freq 2.4035000 GHz</p> <p>CF Step 300.00000 kHz Auto Man</p> <p>Freq Offset 0.0000000 Hz</p> <p>Signal Track On Off</p> <p>Ref 15 dBm *Atten 26 dB</p> <p>*Peak</p> <p>Log 10 dB/Offst 0.5 dB</p> <p>Center 2.402 000 GHz Span 3 MHz</p> <p>*Res BW 30 kHz *VBW 100 kHz Sweep 3.2 ms (601 pts)</p> <p>Occupied Bandwidth 875.9463 kHz Occ BW % Pwr 99.00 % x dB -20.00 dB</p> <p>Transmit Freq Error -8.251 kHz</p> <p>x dB Bandwidth 951.877 kHz</p> <p>Copyright 2000-2007 Agilent Technologies</p>
2441	 <p>Agilent R T Freq/Channel</p> <p>Ch Freq 2.441 GHz Trig Free</p> <p>Center Freq 2.4410000 GHz</p> <p>Start Freq 2.4395000 GHz</p> <p>Stop Freq 2.4425000 GHz</p> <p>CF Step 300.00000 kHz Auto Man</p> <p>Freq Offset 0.0000000 Hz</p> <p>Signal Track On Off</p> <p>Ref 15 dBm *Atten 26 dB</p> <p>*Peak</p> <p>Log 10 dB/Offst 0.5 dB</p> <p>Center 2.441 000 GHz Span 3 MHz</p> <p>*Res BW 30 kHz *VBW 100 kHz Sweep 3.2 ms (601 pts)</p> <p>Occupied Bandwidth 862.0992 kHz Occ BW % Pwr 99.00 % x dB -20.00 dB</p> <p>Transmit Freq Error -12.264 kHz</p> <p>x dB Bandwidth 921.236 kHz</p> <p>Copyright 2000-2007 Agilent Technologies</p>
2480	 <p>Agilent R T Freq/Channel</p> <p>Ch Freq 2.48 GHz Trig Free</p> <p>Center Freq 2.4800000 GHz</p> <p>Start Freq 2.4785000 GHz</p> <p>Stop Freq 2.4815000 GHz</p> <p>CF Step 300.00000 kHz Auto Man</p> <p>Freq Offset 0.0000000 Hz</p> <p>Signal Track On Off</p> <p>Ref 15 dBm *Atten 26 dB</p> <p>*Peak</p> <p>Log 10 dB/Offst 0.5 dB</p> <p>Center 2.480 000 GHz Span 3 MHz</p> <p>*Res BW 30 kHz *VBW 100 kHz Sweep 3.2 ms (601 pts)</p> <p>Occupied Bandwidth 882.6819 kHz Occ BW % Pwr 99.00 % x dB -20.00 dB</p> <p>Transmit Freq Error -9.212 kHz</p> <p>x dB Bandwidth 967.879 kHz</p> <p>Copyright 2000-2007 Agilent Technologies</p>

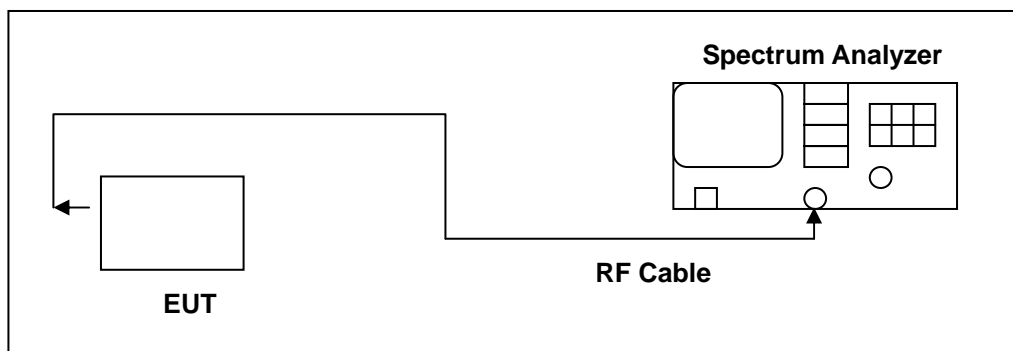
Mode 4: 8DPSK Link Mode	
2402	<p>Agilent R T Freq/Channel</p> <p>Ch Freq 2.402 GHz Trig Free</p> <p>Center Freq 2.4020000 GHz</p> <p>Start Freq 2.4005000 GHz</p> <p>Stop Freq 2.4035000 GHz</p> <p>CF Step 300.000000 kHz Auto Man</p> <p>Freq Offset 0.0000000 Hz</p> <p>Signal Track On Off</p> <p>Ref 15 dBm *Atten 26 dB</p> <p>*Peak Log 10 dB/Offst 0.5 dB</p> <p>Center 2.402 000 GHz Span 3 MHz</p> <p>*Res BW 30 kHz *VBW 100 kHz Sweep 3.2 ms (601 pts)</p> <p>Occupied Bandwidth 1.1759 MHz Occ BW % Pwr 99.00 % x dB -20.00 dB</p> <p>Transmit Freq Error -4.814 kHz x dB Bandwidth 1.296 MHz</p> <p>Copyright 2000-2007 Agilent Technologies</p>
2441	<p>Agilent R T Freq/Channel</p> <p>Ch Freq 2.441 GHz Trig Free</p> <p>Center Freq 2.4410000 GHz</p> <p>Start Freq 2.4395000 GHz</p> <p>Stop Freq 2.4425000 GHz</p> <p>CF Step 300.000000 kHz Auto Man</p> <p>Freq Offset 0.0000000 Hz</p> <p>Signal Track On Off</p> <p>Ref 15 dBm *Atten 26 dB</p> <p>*Peak Log 10 dB/Offst 0.5 dB</p> <p>Center 2.441 000 GHz Span 3 MHz</p> <p>*Res BW 30 kHz *VBW 100 kHz Sweep 3.2 ms (601 pts)</p> <p>Occupied Bandwidth 1.1646 MHz Occ BW % Pwr 99.00 % x dB -20.00 dB</p> <p>Transmit Freq Error -13.400 kHz x dB Bandwidth 1.257 MHz</p> <p>Copyright 2000-2007 Agilent Technologies</p>
2480	<p>Agilent R T Freq/Channel</p> <p>Ch Freq 2.48 GHz Trig Free</p> <p>Center Freq 2.4800000 GHz</p> <p>Start Freq 2.4785000 GHz</p> <p>Stop Freq 2.4815000 GHz</p> <p>CF Step 300.000000 kHz Auto Man</p> <p>Freq Offset 0.0000000 Hz</p> <p>Signal Track On Off</p> <p>Ref 15 dBm *Atten 26 dB</p> <p>*Peak Log 10 dB/Offst 0.5 dB</p> <p>Center 2.480 000 GHz Span 3 MHz</p> <p>*Res BW 30 kHz *VBW 100 kHz Sweep 3.2 ms (601 pts)</p> <p>Occupied Bandwidth 1.1659 MHz Occ BW % Pwr 99.00 % x dB -20.00 dB</p> <p>Transmit Freq Error -14.449 kHz x dB Bandwidth 1.271 MHz</p> <p>Copyright 2000-2007 Agilent Technologies</p>

8 Carrier Frequency Separation Measurement

8.1. Limit

Title 47 of the CFR, Part 15 Subpart (c) 15.247(a)(1) requires the measurement of the bandwidth of the transmission between the -20 dB points on the transmitted spectrum. The results of this test determine the limits for channel spacing. The channel spacing shall be a minimum of 25 kHz or the 20 dB bandwidth, whichever is greater. Alternatively, frequency hopping systems operating in the 2400-2483.5 MHz band may have hopping channel carrier frequencies that are separated by 25 kHz or two-thirds of the 20 dB bandwidth of the hopping channel.

8.2. Test Setup



8.3. Test Instruments

Equipment	Manufacturer	Model Number	Serial Number	Cal. Date	Remark
Spectrum Analyzer	Agilent	E4445A	MY45300744	12/18/2013	(1)
Test Site	ATL	TE02	TE02	N.C.R.	-----

Remark: (1) Calibration period 1 year. (2) Calibration period 2 years.

NOTE: N.C.R. = No Calibration Request.

8.4. Test Procedure

Testing must be done according to this procedure, FCC Public Notice DA 00-705 - Filing and Measurement Guidelines for Frequency Hopping Spread Spectrum Systems. This is the only method recognized by the FCC. The RF output port of the Equipment-Under-Test is directly coupled to the input of the EMC analyzer through a specialized RF connector and a 10dB passive attenuator. A fully charged battery was used for the supply voltage. The Bluetooth transmitter of the V6 had its hopping function enabled. The following spectrum analyzer settings were used:

1. Span = wide enough to capture the peaks of two adjacent channels
2. Resolution (or IF) Bandwidth (RBW) \geq 1% of the span
3. Video (or Average) Bandwidth (VBW) \geq RBW
4. Sweep = auto
5. Detector function = peak
6. Trace = max hold

The trace was allowed to stabilize. The marker-delta function was used to determine the separation between the peaks of the adjacent channels.

8.5. Test Result

Model Number	PS5 SPEAKER		
Test Item	Carrier Frequency Separation		
Test Mode	Mode 2: GFSK Link Mode		
Date of Test	10/28/2014	Test Site	TE02
	Frequency (MHz)	Measurement (MHz)	Limit (MHz)
	2402	1	> 0.635
	2441	1	> 0.614
	2480	1	> 0.645

Model Number	PS5 SPEAKER		
Test Item	Carrier Frequency Separation		
Test Mode	Mode 4: 8DPSK Link Mode		
Date of Test	10/28/2014	Test Site	TE02
	Frequency (MHz)	Measurement (MHz)	Limit (MHz)
	2402	1	> 0.864
	2441	1	> 0.838
	2480	1	> 0.847

8.6. Test Graphs

Mode 2: GFSK Link Mode	
2402	<p>Copyright 2000-2007 Agilent Technologies</p>
2440	<p>Copyright 2000-2007 Agilent Technologies</p>
2480	<p>Copyright 2000-2007 Agilent Technologies</p>

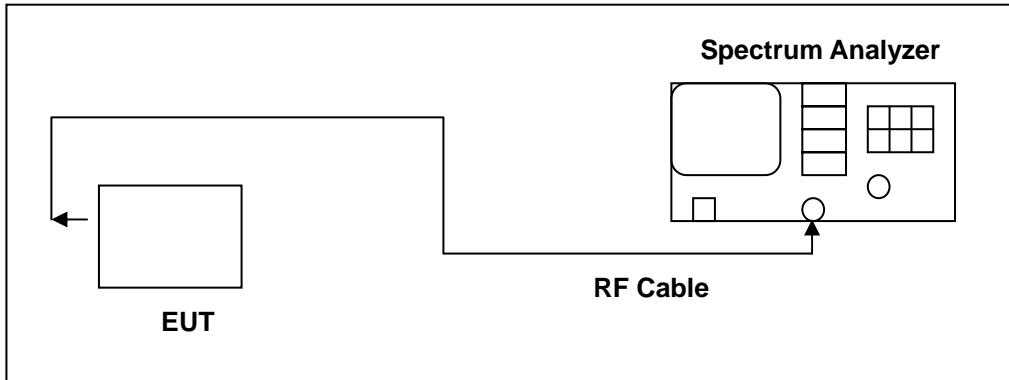
Mode 4: 8DPSK Link Mode	
2402	<p>Copyright 2000-2007 Agilent Technologies</p>
2441	<p>Copyright 2000-2007 Agilent Technologies</p>
2480	<p>Copyright 2000-2007 Agilent Technologies</p>

9 Number of Hopping Measurement

9.1. Limit

Frequency hopping systems in the 2400–2483.5 MHz band shall use at least 15 channels.

9.2. Test Setup



9.3. Test Instruments

Equipment	Manufacturer	Model Number	Serial Number	Cal. Date	Remark
Spectrum Analyzer	Agilent	E4445A	MY45300744	12/18/2013	(1)
Test Site	ATL	TE02	TE02	N.C.R.	-----

Remark: (1) Calibration period 1 year. (2) Calibration period 2 years.

NOTE: N.C.R. = No Calibration Request.

9.4. Test Procedure

Testing must be done according to this procedure, FCC Public Notice DA 00-705 - Filing and Measurement Guidelines for Frequency Hopping Spread Spectrum Systems. This is the only method recognized by the FCC. The RF output port of the Equipment-Under-Test is directly coupled to the input of the EMC analyzer through a specialized RF connector and a 10dB passive attenuator. A fully charged battery was used for the supply voltage. The Bluetooth frequency hopping function of the EUT was enabled. The spectrum analyzer used the following settings:

1. Span = the frequency band of operation
2. RBW \geq 1% of the span
3. VBW \geq RBW
4. Sweep = auto
5. Detector function = peak
6. Trace = max hold

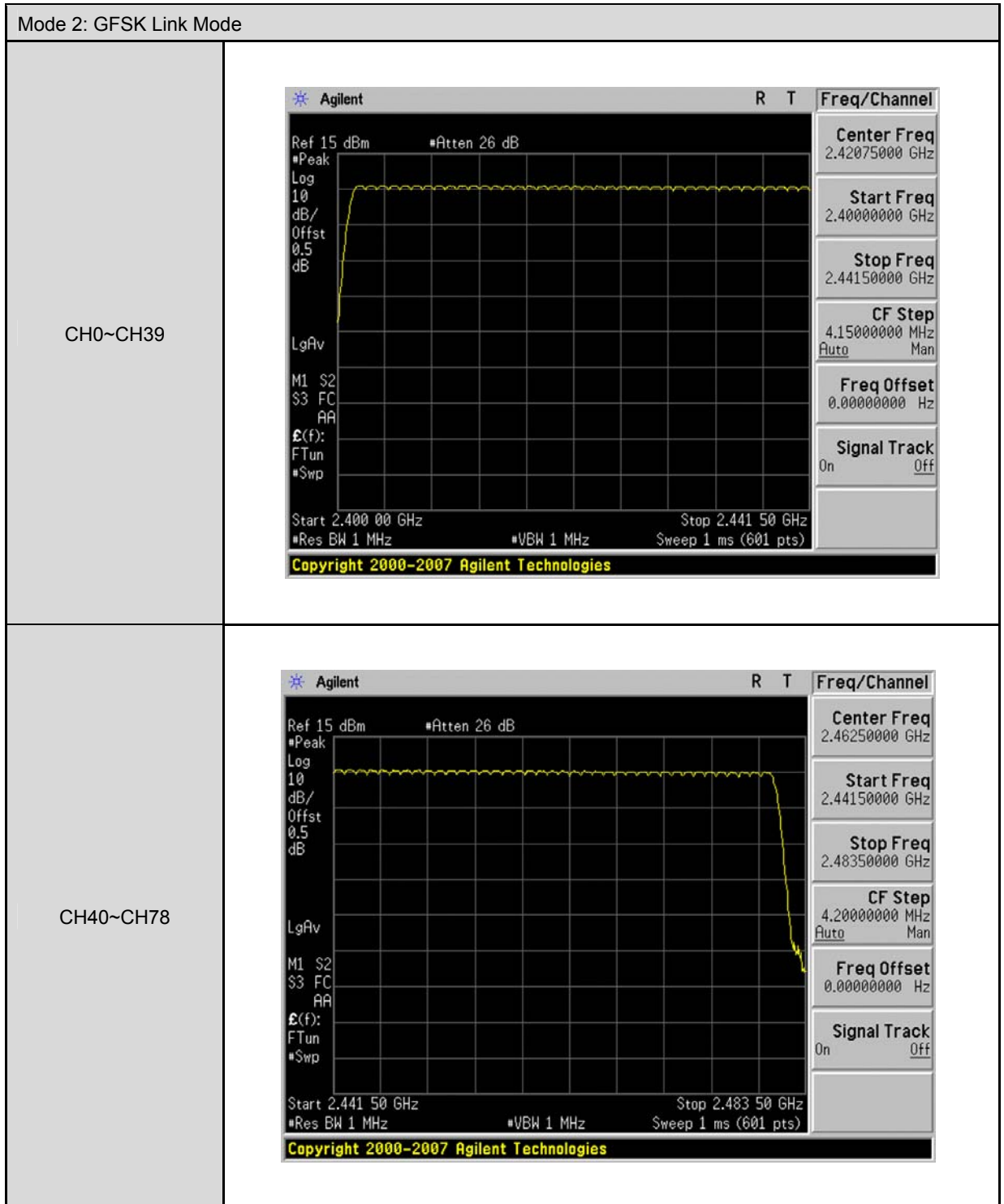
The trace was allowed to stabilize.

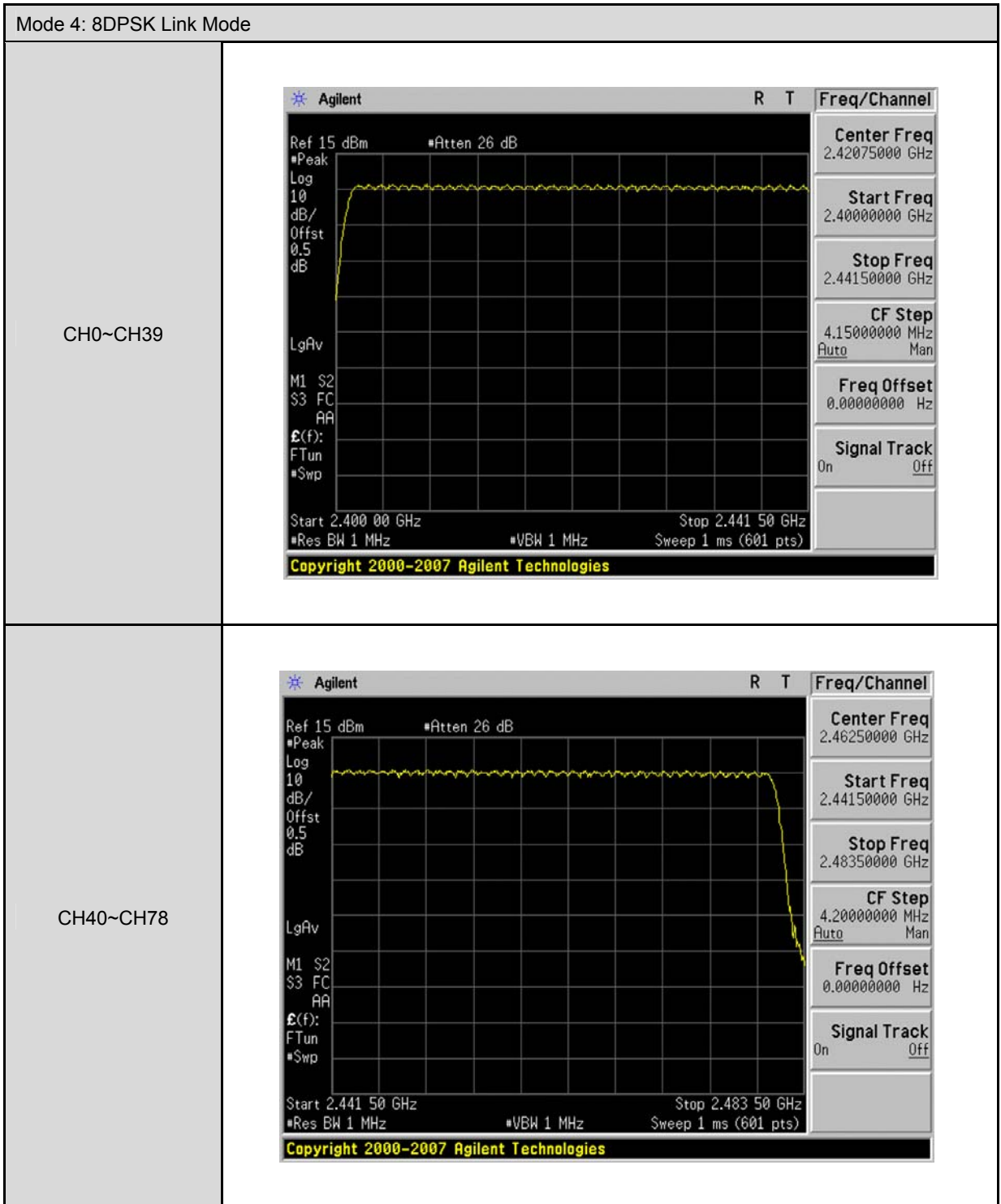
9.5. Test Result

Model Number	PS5 SPEAKER		
Test Item	Number of Hopping		
Test Mode	Mode 2: GFSK Link Mode		
Date of Test	10/28/2014	Test Site	TE02
Frequency Range (MHz)	Measurement (ch)		Limit (ch)
2402 - 2480	79		> 15

Model Number	PS5 SPEAKER		
Test Item	Number of Hopping		
Test Mode	Mode 4: 8DPSK Link Mode		
Date of Test	10/28/2014	Test Site	TE02
Frequency Range (MHz)	Measurement (ch)		Limit (ch)
2402 - 2480	79		> 15

9.6. Test Graphs



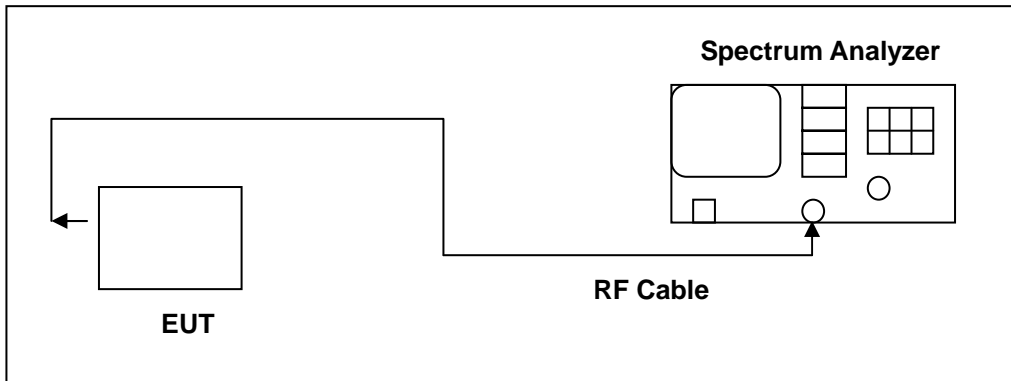


10 Time of Occupancy (Dwell Time) Measurement

10.1. Limit

The average time of occupancy on any channel shall not be greater than 0.4 seconds within a period of 0.4 seconds multiplied by the number of hopping channels employed.

10.2. Test Setup



10.3. Test Instruments

Equipment	Manufacturer	Model Number	Serial Number	Cal. Date	Remark
Spectrum Analyzer	Agilent	E4445A	MY45300744	12/18/2013	(1)
Test Site	ATL	TE02	TE02	N.C.R.	-----

Remark: (1) Calibration period 1 year. (2) Calibration period 2 years.

NOTE: N.C.R. = No Calibration Request.

10.4. Test Procedure

Testing must be done according to this procedure, FCC Public Notice DA 00-705 - Filing and Measurement Guidelines for Frequency Hopping Spread Spectrum Systems. This is the only method recognized by the FCC. The RF output port of the Equipment-Under-Test is directly coupled to the input of the EMC analyzer through a specialized RF connector and a 10dB passive attenuator. A fully charged battery was used for the supply voltage. The Bluetooth hopping function of the EUT was enabled. The following spectrum analyzer settings were used:

1. Span = zero span, centered on a hopping channel
2. RBW = 1 MHz
3. VBW \geq RBW
4. Sweep = as necessary to capture the entire dwell time per hopping channel
5. Detector function = peak
6. Trace = max hold

The marker-delta function was used to determine the dwell time.

10.5. Test Result

Model Number	PS5 SPEAKER		
Test Item	Time of Occupancy (Dwell Time)		
Test Mode	Mode 2: GFSK Link Mode		
Date of Test	10/28/2014	Test Site	TE02
DH1			
Cycle Calculate	79CH * 0.4 = 31.6 (sec)		
The EUT Hopping Number per Sec	1600 times/sec		
Each Channel Dwell Times per Sec	800/79CH = 10.13(times/sec)		
Each Channel Dwell Times (1)	0.583	ms (sec)	
Each Channel Dwell Times on Cycle(2)	31.6 * 10.13 = 320.108(times)		
Dwell Times on Cycle (1) * (2)	186.7190	ms (sec)	
LIMIT(msec)	< = 400		
DH3			
Cycle Calculate	79CH * 0.4 = 31.6 (sec)		
The EUT Hopping Number per Sec	1600 times/sec		
Each Channel Dwell Times per Sec	400/79CH = 5.1(times/sec)		
Each Channel Dwell Times (1)	1.817	ms (sec)	
Each Channel Dwell Times on Cycle(2)	31.6 * 5.1 = 161.16(times)		
Dwell Times on Cycle (1) * (2)	292.8277	ms (sec)	
LIMIT(msec)	< = 400		
DH5			
Cycle Calculate	79CH * 0.4 = 31.6 (sec)		
The EUT Hopping Number per Sec	1600 times/sec		
Each Channel Dwell Times per Sec	266.7/79CH = 3.37(times/sec)		
Each Channel Dwell Times (1)	3.067	ms (sec)	
Each Channel Dwell Times on Cycle(2)	31.6 * 3.37 = 106.492(times)		
Dwell Times on Cycle (1) * (2)	326.6110	ms (sec)	
LIMIT(msec)	< = 400		

Model Number	PS5 SPEAKER		
Test Item	Time of Occupancy (Dwell Time)		
Test Mode	Mode 4: 8DPSK Link Mode		
Date of Test	10/28/2014	Test Site	TE02
3DH1			
Cycle Calculate	$79CH * 0.4 = 31.6 \text{ (sec)}$		
The EUT Hopping Number per Sec	1600 times/sec		
Each Channel Dwell Times per Sec	$800/79CH = 10.13(\text{times/sec})$		
Each Channel Dwell Times (1)	0.583	ms (sec)	
Each Channel Dwell Times on Cycle(2)	$31.6 * 10.13 = 320.108(\text{times})$		
Dwell Times on Cycle (1) * (2)	186.7190	ms (sec)	
LIMIT(msec)	< = 400		
3DH3			
Cycle Calculate	$79CH * 0.4 = 31.6 \text{ (sec)}$		
The EUT Hopping Number per Sec	1600 times/sec		
Each Channel Dwell Times per Sec	$400/79CH = 5.1(\text{times/sec})$		
Each Channel Dwell Times (1)	1.817	ms (sec)	
Each Channel Dwell Times on Cycle(2)	$31.6 * 5.1 = 161.16(\text{times})$		
Dwell Times on Cycle (1) * (2)	292.8277	ms (sec)	
LIMIT(msec)	< = 400		
3DH5			
Cycle Calculate	$79CH * 0.4 = 31.6 \text{ (sec)}$		
The EUT Hopping Number per Sec	1600 times/sec		
Each Channel Dwell Times per Sec	$266.7/79CH = 3.37(\text{times/sec})$		
Each Channel Dwell Times (1)	3.067	ms (sec)	
Each Channel Dwell Times on Cycle(2)	$31.6 * 3.37 = 106.492(\text{times})$		
Dwell Times on Cycle (1) * (2)	326.6110	ms (sec)	
LIMIT(msec)	< = 400		

10.6. Test Graphs

Mode 2: GFSK Link Mode	
DH1	<p>Agilent R T Freq/Channel Ref 15 dBm *Atten 26 dB Δ Mkr1 583.3 μs #Peak 4.22 dB Log 10 dB/ Offst 0.5 dB LgAv W1 S2 S3 FS AR E(f): FTun Center 2.402 000 GHz Span 0 Hz Res BW 1 MHz VBW 1 MHz Sweep 10 ms (601 pts) Copyright 2000-2007 Agilent Technologies</p> <p>Center Freq 2.40200000 GHz Start Freq 2.40200000 GHz Stop Freq 2.40200000 GHz CF Step 1.00000000 MHz Auto Man Freq Offset 0.00000000 Hz Signal Track On Off</p>
DH3	<p>Agilent R T Freq/Channel Ref 15 dBm *Atten 26 dB Δ Mkr1 1.817 ms #Peak 1.88 dB Log 10 dB/ Offst 0.5 dB LgAv W1 S2 S3 FS AR E(f): FTun Center 2.402 000 GHz Span 0 Hz Res BW 1 MHz VBW 1 MHz Sweep 10 ms (601 pts) Copyright 2000-2007 Agilent Technologies</p> <p>Center Freq 2.40200000 GHz Start Freq 2.40200000 GHz Stop Freq 2.40200000 GHz CF Step 1.00000000 MHz Auto Man Freq Offset 0.00000000 Hz Signal Track On Off</p>
DH5	<p>Agilent R T Freq/Channel Ref 15 dBm *Atten 26 dB Δ Mkr1 3.067 ms #Peak -2.41 dB Log 10 dB/ Offst 0.5 dB LgAv W1 S2 S3 FS AR E(f): FTun Center 2.402 000 GHz Span 0 Hz Res BW 1 MHz VBW 1 MHz Sweep 10 ms (601 pts) Copyright 2000-2007 Agilent Technologies</p> <p>Center Freq 2.40200000 GHz Start Freq 2.40200000 GHz Stop Freq 2.40200000 GHz CF Step 1.00000000 MHz Auto Man Freq Offset 0.00000000 Hz Signal Track On Off</p>

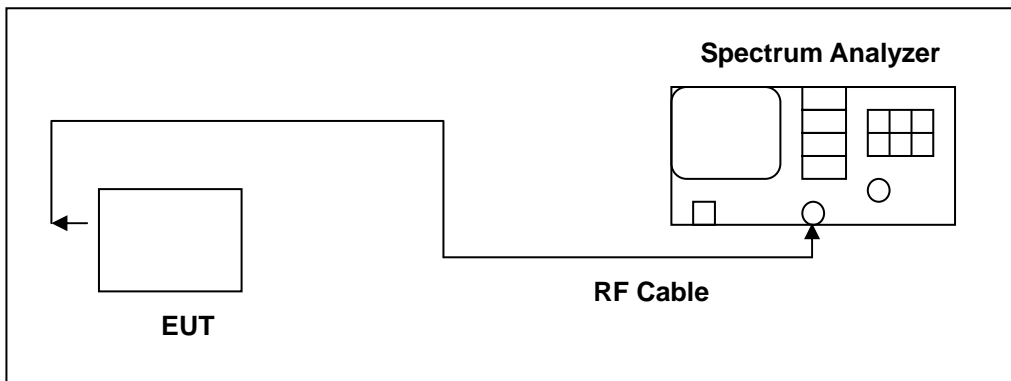
Mode 4: 8DPSK Link Mode	
3DH1	<p>Agilent R T Freq/Channel Ref 15 dBm *Atten 26 dB Δ Mkr1 583.3 μs 2.79 dB #Peak Log 10 dB/ Offst 0.5 dB LgAv W1 S2 S3 FS AA E(f): FTun Center 2.402 000 GHz Span 0 Hz Res BW 1 MHz VBW 1 MHz Sweep 10 ms (601 pts) Copyright 2000-2007 Agilent Technologies</p> <p>Center Freq 2.4020000 GHz Start Freq 2.4020000 GHz Stop Freq 2.4020000 GHz CF Step 1.0000000 MHz Auto Man Freq Offset 0.0000000 Hz Signal Track On Off</p>
3DH3	<p>Agilent R T Freq/Channel Ref 15 dBm *Atten 26 dB Δ Mkr1 1.817 ms 0.58 dB #Peak Log 10 dB/ Offst 0.5 dB LgAv W1 S2 S3 FS AA E(f): FTun Center 2.402 000 GHz Span 0 Hz Res BW 1 MHz VBW 1 MHz Sweep 10 ms (601 pts) Copyright 2000-2007 Agilent Technologies</p> <p>Center Freq 2.4020000 GHz Start Freq 2.4020000 GHz Stop Freq 2.4020000 GHz CF Step 1.0000000 MHz Auto Man Freq Offset 0.0000000 Hz Signal Track On Off</p>
3DH5	<p>Agilent R T Freq/Channel Ref 15 dBm *Atten 26 dB Δ Mkr1 3.067 ms -1.85 dB #Peak Log 10 dB/ Offst 0.5 dB LgAv W1 S2 S3 FS AA E(f): FTun Center 2.402 000 GHz Span 0 Hz Res BW 1 MHz VBW 1 MHz Sweep 10 ms (601 pts) Copyright 2000-2007 Agilent Technologies</p> <p>Center Freq 2.4020000 GHz Start Freq 2.4020000 GHz Stop Freq 2.4020000 GHz CF Step 1.0000000 MHz Auto Man Freq Offset 0.0000000 Hz Signal Track On Off</p>

11 Out of Band Conducted Emissions Measurement

11.1. Limit

In any 100 kHz bandwidth outside the frequency band in which the spread spectrum or digitally modulated intentional radiator is operating, the radio frequency power that is produced by the intentional radiator shall be at least 20 dB below that in the 100 kHz bandwidth within the band that contains the highest level of the desired power

11.2. Test Setup



11.3. Test Instruments

Equipment	Manufacturer	Model Number	Serial Number	Cal. Date	Remark
Spectrum Analyzer	Agilent	E4445A	MY45300744	12/18/2013	(1)
Spectrum Analyzer	Agilent	E4408B	MY45107753	07/24/2014	(1)
Test Site	ATL	TE02	TE02	N.C.R.	-----

Remark: (1) Calibration period 1 year. (2) Calibration period 2 years.

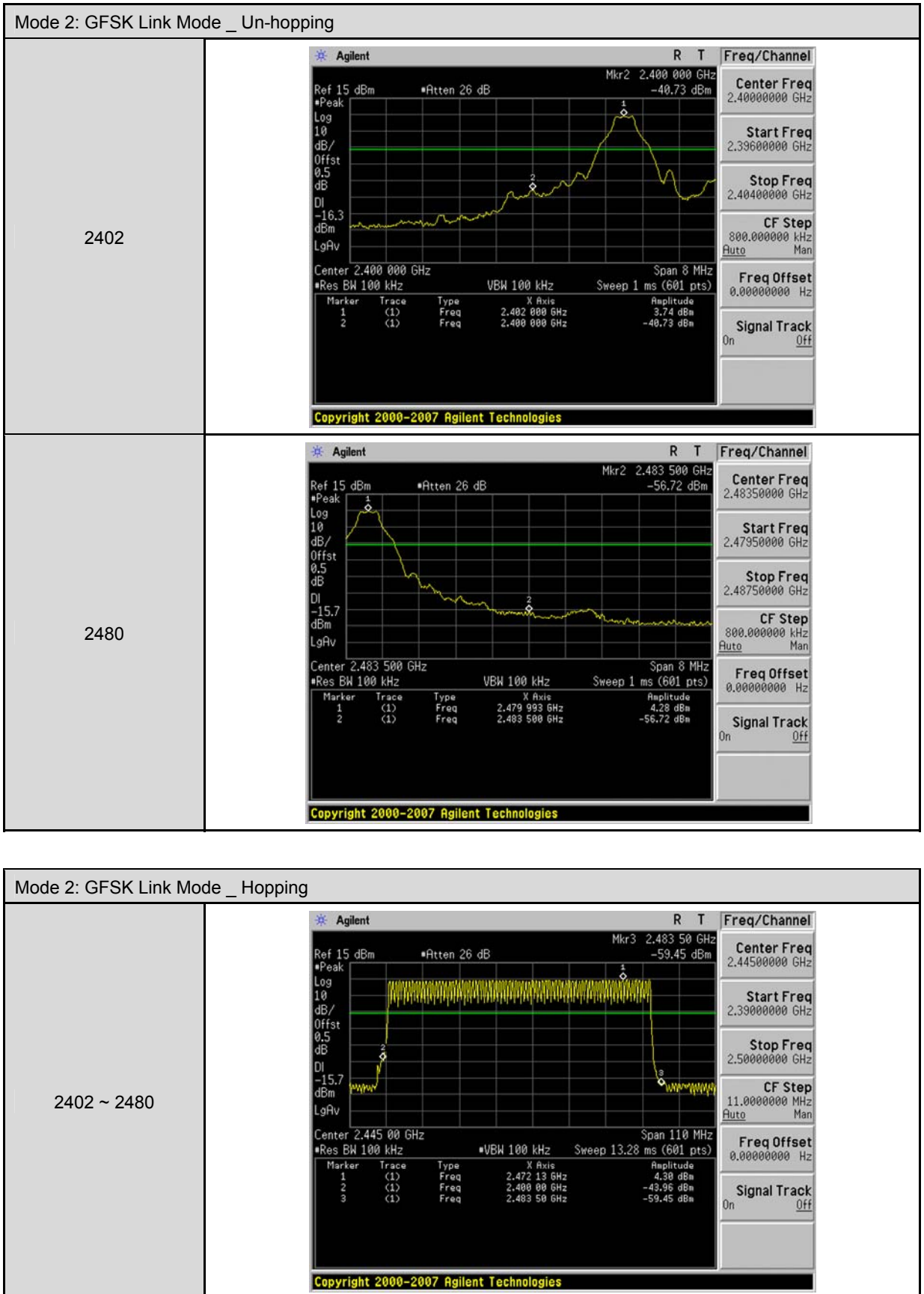
NOTE: N.C.R. = No Calibration Request.

11.4. Test Procedure

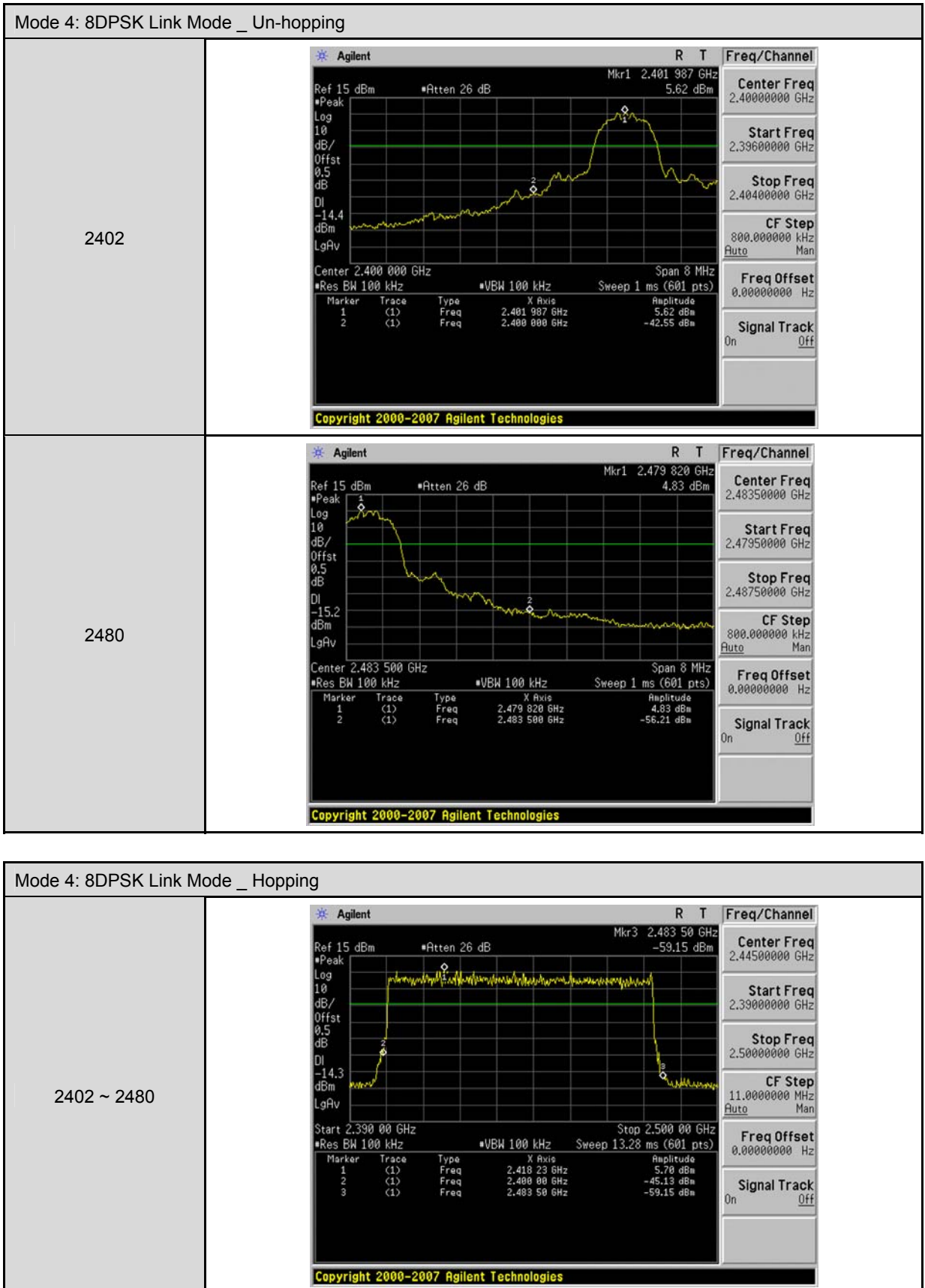
Testing must be done according to this procedure, FCC Public Notice DA 00-705 - Filing and Measurement Guidelines for Frequency Hopping Spread Spectrum Systems. This is the only method recognized by the FCC. In any 100 kHz bandwidth outside the EUT pass band, the RF power produced by the modulation products of the spreading sequence, the information sequence, and the carrier frequency shall be at least 20 dB below that of the maximum in-band 100 kHz emission, antenna output of the EUT was coupled directly to spectrum analyzer; if an external attenuator and/or cable was used, these losses are compensated for with the analyzer OFFSET function. All other types of emissions from the EUT shall meet the general limits for radiated frequencies outside the pass band. The test was performed at 3 channels (Channel 0, 39, 78)

11.5. Test Graphs

Mode 2: GFSK Link Mode																
2402	<p>Agilent R T Ref 10.5 dBm #Atten 20 dB Mkr2 4.79 GHz -47.13 dBm Peak Log 10 dB/Offst 0.5 dB DI -18.7 dBm Start 30 MHz Stop 26.5 GHz #Res BW 100 kHz #VBW 300 kHz Sweep 2.742 s (401 pts)</p> <table border="1"> <thead> <tr> <th>Marker</th> <th>Trace</th> <th>Type</th> <th>X Axis</th> <th>Amplitude</th> </tr> </thead> <tbody> <tr> <td>1</td> <td>(1)</td> <td>Freq</td> <td>2.40 GHz</td> <td>1.312 dBm</td> </tr> <tr> <td>2</td> <td>(1)</td> <td>Freq</td> <td>4.79 GHz</td> <td>-47.13 dBm</td> </tr> </tbody> </table> <p>Freq/Channel Center Freq 13.2650000 GHz Start Freq 30.0000000 MHz Stop Freq 26.5000000 GHz CF Step 2.64700000 GHz Auto Man Freq Offset 0.00000000 Hz Signal Track On Off</p>	Marker	Trace	Type	X Axis	Amplitude	1	(1)	Freq	2.40 GHz	1.312 dBm	2	(1)	Freq	4.79 GHz	-47.13 dBm
Marker	Trace	Type	X Axis	Amplitude												
1	(1)	Freq	2.40 GHz	1.312 dBm												
2	(1)	Freq	4.79 GHz	-47.13 dBm												
2441	<p>Agilent R T Ref 10.5 dBm #Atten 20 dB Mkr2 4.86 GHz -42.26 dBm Peak Log 10 dB/Offst 0.5 dB DI -17.6 dBm Start 30 MHz Stop 26.5 GHz #Res BW 100 kHz #VBW 300 kHz Sweep 2.742 s (401 pts)</p> <table border="1"> <thead> <tr> <th>Marker</th> <th>Trace</th> <th>Type</th> <th>X Axis</th> <th>Amplitude</th> </tr> </thead> <tbody> <tr> <td>1</td> <td>(1)</td> <td>Freq</td> <td>2.44 GHz</td> <td>2.434 dBm</td> </tr> <tr> <td>2</td> <td>(1)</td> <td>Freq</td> <td>4.86 GHz</td> <td>-42.26 dBm</td> </tr> </tbody> </table> <p>Freq/Channel Center Freq 13.2650000 GHz Start Freq 30.0000000 MHz Stop Freq 26.5000000 GHz CF Step 2.64700000 GHz Auto Man Freq Offset 0.00000000 Hz Signal Track On Off</p>	Marker	Trace	Type	X Axis	Amplitude	1	(1)	Freq	2.44 GHz	2.434 dBm	2	(1)	Freq	4.86 GHz	-42.26 dBm
Marker	Trace	Type	X Axis	Amplitude												
1	(1)	Freq	2.44 GHz	2.434 dBm												
2	(1)	Freq	4.86 GHz	-42.26 dBm												
2480	<p>Agilent R T Ref 10.5 dBm #Atten 20 dB Mkr2 4.99 GHz -42.41 dBm Peak Log 10 dB/Offst 0.5 dB DI -16.9 dBm Start 30 MHz Stop 26.5 GHz #Res BW 100 kHz #VBW 300 kHz Sweep 2.742 s (401 pts)</p> <table border="1"> <thead> <tr> <th>Marker</th> <th>Trace</th> <th>Type</th> <th>X Axis</th> <th>Amplitude</th> </tr> </thead> <tbody> <tr> <td>1</td> <td>(1)</td> <td>Freq</td> <td>2.48 GHz</td> <td>3.084 dBm</td> </tr> <tr> <td>2</td> <td>(1)</td> <td>Freq</td> <td>4.99 GHz</td> <td>-42.41 dBm</td> </tr> </tbody> </table> <p>Freq/Channel Center Freq 13.2650000 GHz Start Freq 30.0000000 MHz Stop Freq 26.5000000 GHz CF Step 2.64700000 GHz Auto Man Freq Offset 0.00000000 Hz Signal Track On Off</p>	Marker	Trace	Type	X Axis	Amplitude	1	(1)	Freq	2.48 GHz	3.084 dBm	2	(1)	Freq	4.99 GHz	-42.41 dBm
Marker	Trace	Type	X Axis	Amplitude												
1	(1)	Freq	2.48 GHz	3.084 dBm												
2	(1)	Freq	4.99 GHz	-42.41 dBm												



Mode 4: 8DPSK Link Mode															
2402	<table border="1" style="width: 100%; border-collapse: collapse;"> <tr><th colspan="2">Freq/Channel</th></tr> <tr><td>Center Freq</td><td>13.2650000 GHz</td></tr> <tr><td>Start Freq</td><td>30.0000000 MHz</td></tr> <tr><td>Stop Freq</td><td>26.5000000 GHz</td></tr> <tr><td>CF Step</td><td>2.64700000 GHz Auto Man</td></tr> <tr><td>Freq Offset</td><td>0.00000000 Hz</td></tr> <tr><td>Signal Track</td><td>On Off</td></tr> </table>	Freq/Channel		Center Freq	13.2650000 GHz	Start Freq	30.0000000 MHz	Stop Freq	26.5000000 GHz	CF Step	2.64700000 GHz Auto Man	Freq Offset	0.00000000 Hz	Signal Track	On Off
Freq/Channel															
Center Freq	13.2650000 GHz														
Start Freq	30.0000000 MHz														
Stop Freq	26.5000000 GHz														
CF Step	2.64700000 GHz Auto Man														
Freq Offset	0.00000000 Hz														
Signal Track	On Off														
2441	<table border="1" style="width: 100%; border-collapse: collapse;"> <tr><th colspan="2">Freq/Channel</th></tr> <tr><td>Center Freq</td><td>13.2650000 GHz</td></tr> <tr><td>Start Freq</td><td>30.0000000 MHz</td></tr> <tr><td>Stop Freq</td><td>26.5000000 GHz</td></tr> <tr><td>CF Step</td><td>2.64700000 GHz Auto Man</td></tr> <tr><td>Freq Offset</td><td>0.00000000 Hz</td></tr> <tr><td>Signal Track</td><td>On Off</td></tr> </table>	Freq/Channel		Center Freq	13.2650000 GHz	Start Freq	30.0000000 MHz	Stop Freq	26.5000000 GHz	CF Step	2.64700000 GHz Auto Man	Freq Offset	0.00000000 Hz	Signal Track	On Off
Freq/Channel															
Center Freq	13.2650000 GHz														
Start Freq	30.0000000 MHz														
Stop Freq	26.5000000 GHz														
CF Step	2.64700000 GHz Auto Man														
Freq Offset	0.00000000 Hz														
Signal Track	On Off														
2480	<table border="1" style="width: 100%; border-collapse: collapse;"> <tr><th colspan="2">Freq/Channel</th></tr> <tr><td>Center Freq</td><td>13.2650000 GHz</td></tr> <tr><td>Start Freq</td><td>30.0000000 MHz</td></tr> <tr><td>Stop Freq</td><td>26.5000000 GHz</td></tr> <tr><td>CF Step</td><td>2.64700000 GHz Auto Man</td></tr> <tr><td>Freq Offset</td><td>0.00000000 Hz</td></tr> <tr><td>Signal Track</td><td>On Off</td></tr> </table>	Freq/Channel		Center Freq	13.2650000 GHz	Start Freq	30.0000000 MHz	Stop Freq	26.5000000 GHz	CF Step	2.64700000 GHz Auto Man	Freq Offset	0.00000000 Hz	Signal Track	On Off
Freq/Channel															
Center Freq	13.2650000 GHz														
Start Freq	30.0000000 MHz														
Stop Freq	26.5000000 GHz														
CF Step	2.64700000 GHz Auto Man														
Freq Offset	0.00000000 Hz														
Signal Track	On Off														

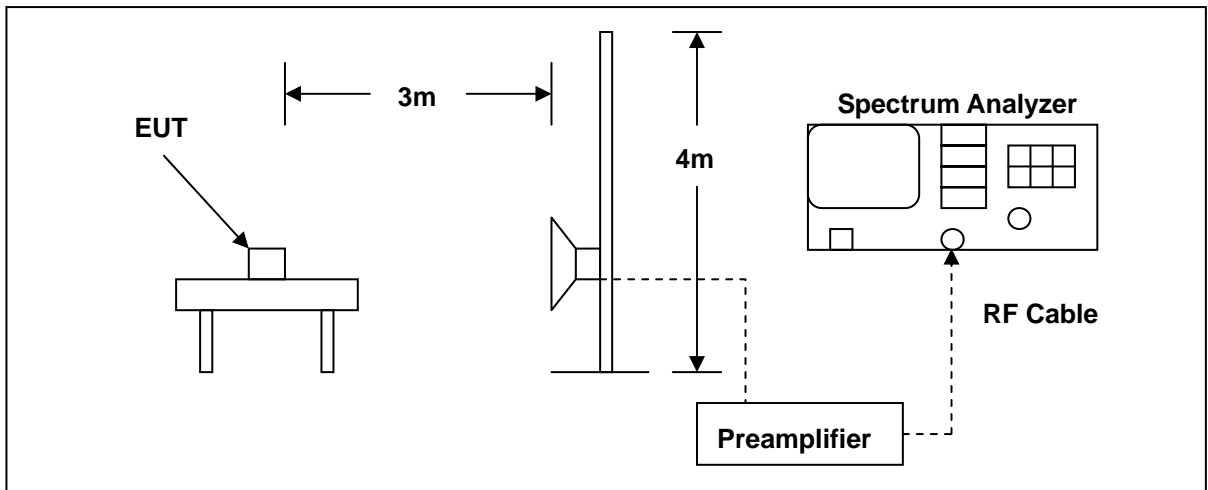


12 Band Edges Measurement

12.1. Limit

In any 100 kHz bandwidth outside the frequency band in which the spread spectrum or digitally modulated intentional radiator is operating, the radio frequency power that is produced by the intentional radiator shall be at least 20 dB below that in the 100 kHz bandwidth within the band that contains the highest level of the desired power

12.2. Test Setup



12.3. Test Instruments

Equipment	Manufacturer	Model Number	Serial Number	Cal. Date	Remark
Spectrum Analyzer	Agilent	E4408B	MY45107753	07/24/2014	(1)
Pre Amplifier	Agilent	8449B	3008A02237	02/21/2014	(1)
Horn Antenna	SCHWARZBECK MESS-ELEKTRONIK	9120D	9120D-550	06/11/2014	(1)
Test Site	ATL	TE01	888001	08/28/2014	(1)

Remark: (1) Calibration period 1 year. (2) Calibration period 2 years.

NOTE: N.C.R. = No Calibration Request.

12.4. Test Procedure

Testing must be done according to this procedure, FCC Public Notice DA 00-705 - Filing and Measurement Guidelines for Frequency Hopping Spread Spectrum Systems. This is the only method recognized by the FCC. The emissions on the harmonics frequencies, the limits, and the margin of compliance are presented. These tests were made when the transmitter was in full radiated power. The additional test was performed to show compliance with the requirement at the band-edge frequency 2483.5 MHz and up to 2500 MHz and at 2390.0 MHz.

The transmitter was configured with the worst case antenna and setup to transmit at the highest channel. Then the field strength was measured at 2483.5 MHz.

The transmitter was then configured with the worst case antenna and setup to transmit at the lowest channel. Then the field strength was measured at 2390.0 MHz. These tests were performed at 4 different bit rates.

For measurements the resolution bandwidth is set to 1 MHz, and then the video bandwidth is set to 1 MHz for peak measurements and 10 Hz for average measurements.

12.5. Test Result

Standard:	FCC Part 15C	Test Distance:	3m
Test item:	Radiated Emission	Power:	AC 120V/60Hz
Model Number:	PS5 SPEAKER	Temp.(°C)/Hum.(%RH):	26(°C)/60%RH
Mode:	Mode 2	Date:	10/28/2014
Frequency:	2402 MHz	Test By:	Eric Ou Yang

Frequency (MHz)	Reading (dBuV)	Correct Factor (dB/m)	Result (dBuV/m)	Limit (dBuV/m)	Margin (dB)	Remark	Ant.Polar. H / V
2386.340	44.86	3.86	48.72	74.00	-25.28	peak	H
2390.000	43.21	3.88	47.09	74.00	-26.91	peak	H
2376.110	40.48	3.78	44.26	74.00	-29.74	peak	V
2390.000	39.62	3.88	43.50	74.00	-30.50	peak	V

Standard:	FCC Part 15C	Test Distance:	3m
Test item:	Radiated Emission	Power:	AC 120V/60Hz
Model Number:	PS5 SPEAKER	Temp.(°C)/Hum.(%RH):	26(°C)/60%RH
Mode:	Mode 2	Date:	10/28/2014
Frequency:	2480 MHz	Test By:	Eric Ou Yang

Frequency (MHz)	Reading (dBuV)	Correct Factor (dB/m)	Result (dBuV/m)	Limit (dBuV/m)	Margin (dB)	Remark	Ant.Polar. H / V
2483.500	52.64	4.50	57.14	74.00	-16.86	peak	H
2483.500	40.90	4.50	45.40	54.00	-8.60	AVG	H
2483.680	52.26	4.50	56.76	74.00	-17.24	peak	H
2483.680	39.53	4.50	44.03	54.00	-9.97	AVG	H
2483.500	49.83	4.50	54.33	74.00	-19.67	peak	V
2483.500	38.82	4.50	43.32	54.00	-10.68	AVG	V
2483.620	48.29	4.50	52.79	74.00	-21.21	peak	V
2483.620	38.20	4.50	42.70	54.00	-11.30	AVG	V

Standard:	FCC Part 15C	Test Distance:	3m
Test item:	Radiated Emission	Power:	AC 120V/60Hz
Model Number:	PS5 SPEAKER	Temp.(°C)/Hum.(%RH):	26(°C)/60%RH
Mode:	Mode 4	Date:	10/28/2014
Frequency:	2402 MHz	Test By:	Eric Ou Yang

Frequency (MHz)	Reading (dBuV)	Correct Factor (dB/m)	Result (dBuV/m)	Limit (dBuV/m)	Margin (dB)	Remark	Ant.Polar. H / V
2388.980	42.76	3.88	46.64	74.00	-27.36	peak	H
2390.000	40.19	3.88	44.07	74.00	-29.93	peak	H
2371.050	42.21	3.75	45.96	74.00	-28.04	peak	V
2390.000	40.43	3.88	44.31	74.00	-29.69	peak	V

Standard:	FCC Part 15C	Test Distance:	3m
Test item:	Radiated Emission	Power:	AC 120V/60Hz
Model Number:	PS5 SPEAKER	Temp.(°C)/Hum.(%RH):	26(°C)/60%RH
Mode:	Mode 4	Date:	10/28/2014
Frequency:	2480 MHz	Test By:	Eric Ou Yang

Frequency (MHz)	Reading (dBuV)	Correct Factor (dB/m)	Result (dBuV/m)	Limit (dBuV/m)	Margin (dB)	Remark	Ant.Polar. H / V
2483.500	50.31	4.50	54.81	74.00	-19.19	peak	H
2483.500	38.37	4.50	42.87	54.00	-11.13	AVG	H
2483.600	50.28	4.50	54.78	74.00	-19.22	peak	H
2483.600	37.77	4.50	42.27	54.00	-11.73	AVG	H
2483.500	44.40	4.50	48.90	74.00	-25.10	peak	V
2483.800	45.94	4.51	50.45	74.00	-23.55	peak	V

Standard:	FCC Part 15C	Test Distance:	3m
Test item:	Radiated Emission	Power:	AC 120V/60Hz
Model Number:	PS5 SPEAKER	Temp.(°C)/Hum.(%RH):	26(°C)/60%RH
Mode:	Hopping	Date:	10/28/2014
		Test By:	Eric Ou Yang

Frequency (MHz)	Reading (dBuV)	Correct Factor (dB/m)	Result (dBuV/m)	Limit (dBuV/m)	Margin (dB)	Remark	Ant.Polar. H / V
2385.050	42.52	3.85	46.37	74.00	-27.63	peak	H
2390.000	43.63	3.88	47.51	74.00	-26.49	peak	H
2483.500	43.45	4.50	47.95	74.00	-26.05	peak	H
2493.730	45.36	4.57	49.93	74.00	-24.07	peak	H
2387.900	41.45	3.86	45.31	74.00	-28.69	peak	V
2390.000	39.59	3.88	43.47	74.00	-30.53	peak	V
2483.500	46.46	4.50	50.96	74.00	-23.04	peak	V
2485.180	45.40	4.52	49.92	74.00	-24.08	peak	V

13 Antenna Measurement

13.1. Limit

For intentional device, according to 15.203, an intentional radiator shall be designed to ensure that no antenna other than that furnished by the responsible party shall be used with the device.

And According to 15.247 (b)(4), if transmitting antennas of directional gain greater than 6 dBi are used, the power shall be reduced by the amount in dB that the directional gain of the antenna exceeds 6dBi.

13.2. Antenna Connector Construction

The antenna used in this product is Printing Type antenna. And the maximum Gain of this antenna is only 2.52 dBi.