

天线样品承认书

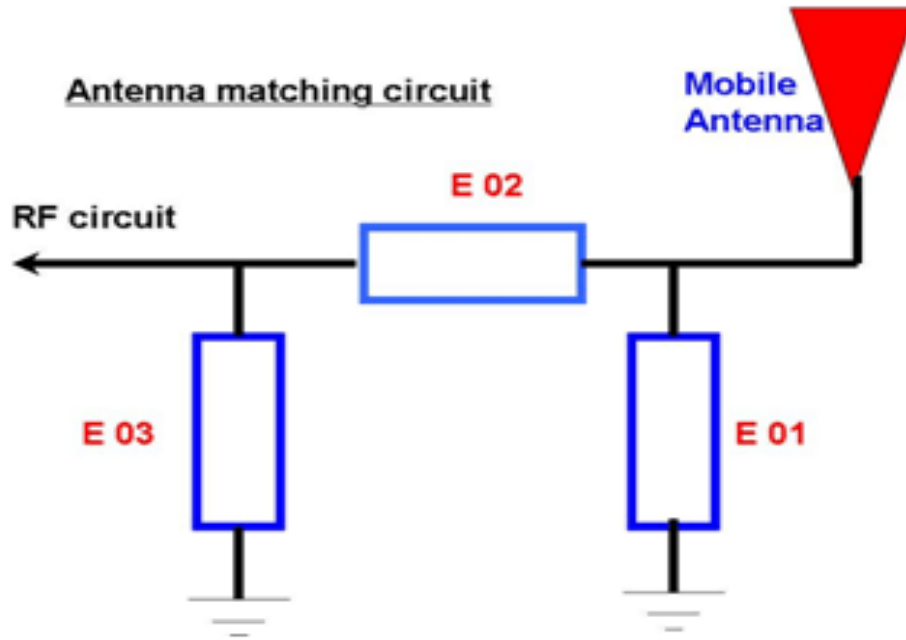
Antenna Sample Confirmation Form

供应商名称 Vendor Name	深圳市小瑞科技股份有限公司 Shenzhen RF-Link Technology Co., Ltd.				
客户名称 Customer Name	深圳市合凯智能科技有限公司 Shenzhen HeKai Technology Co . Ltd				
样品名称 Sample Name	M3				
产品型号 Part Number	KSML-WIFI-ANT-003				
样品规格 Specification	907-0128-00001				
检验项目 Inspection Item	性能测试 Performance	外观检查 Total Appearance	结构 structure	其它 Others	检验结果 Inspection Result
备注 Remark	 				
品质审核 QA Audit	 	工程审核 Engineer Audit	 	业务确认 Sales Confirm	
以下有客户填写 The following are filled by Customer					
客户意见 Customer Evaluation	 				
客户签字/盖章 Signation/Chapter by Customer	 日期/date:				

Antenna Test Report

Test by : Shenzhen RF-Link Technology Co., Ltd.					
Material	<u>PCB + Coaxial line</u>		PP	MP	
Antenna Type	PIFA Type		Polarization mode	Linear	
Application	visual doorbell				
Band	<u>2.4G</u>	VSWR	≤3	dBi	≥-1dBi
Power	Max : 2W	Impedance	50Ω		
Test Equipment	HP8753D、Shielding Room、3D automatic turntable				
<p>Antenna Description: :</p> <p>1. grounding processing and picture description: no</p> <p>2. does it need to change the motherboard to match: no_</p> <ul style="list-style-type: none"> ● Test voltage: 3.6V, check the antenna contact is good before testing. ● The RF cable of the integrated tester is kept in a natural state and can not be curled. ● Specification:test the specified power level, all indicators must conform to the specifications. 					
Page	Content				
2	Antenna Matching Circuit				
3	Test Data				
4	Test environment and test methods				

Antenna Matching Circuit



Modify

E01	E02	E03
No	No	No

Test Data

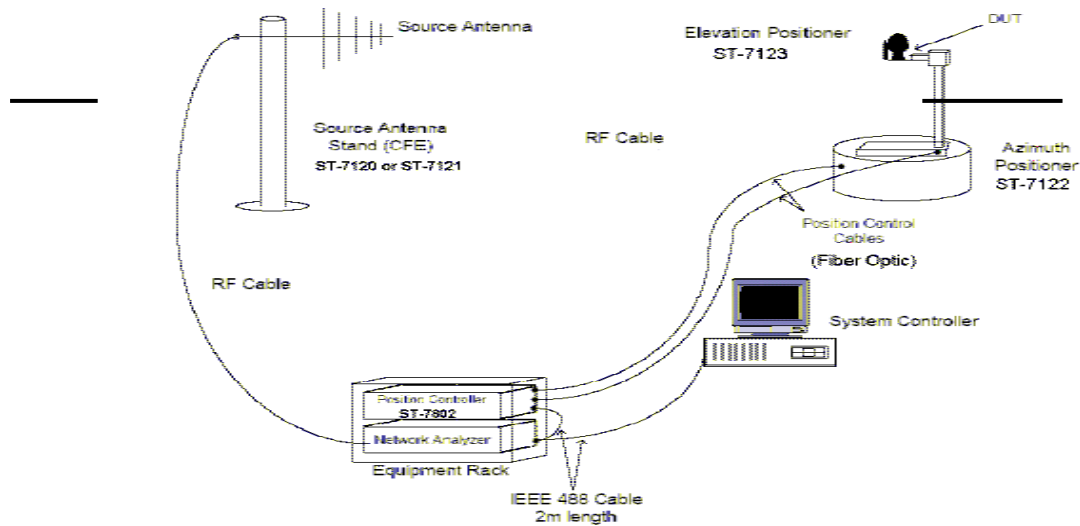
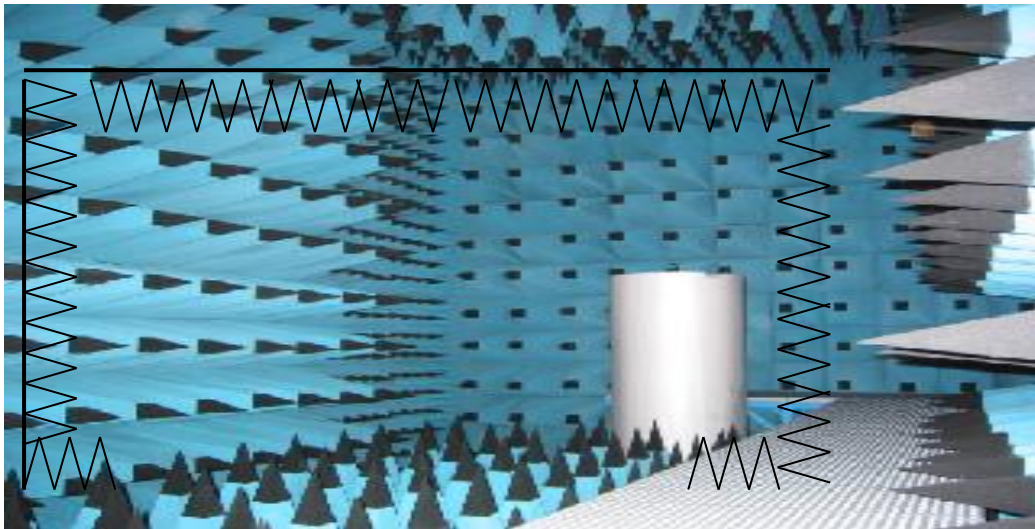
Test Equipment (测试设备)

Shielding Room (微波暗室)

2.4G Frequency Band

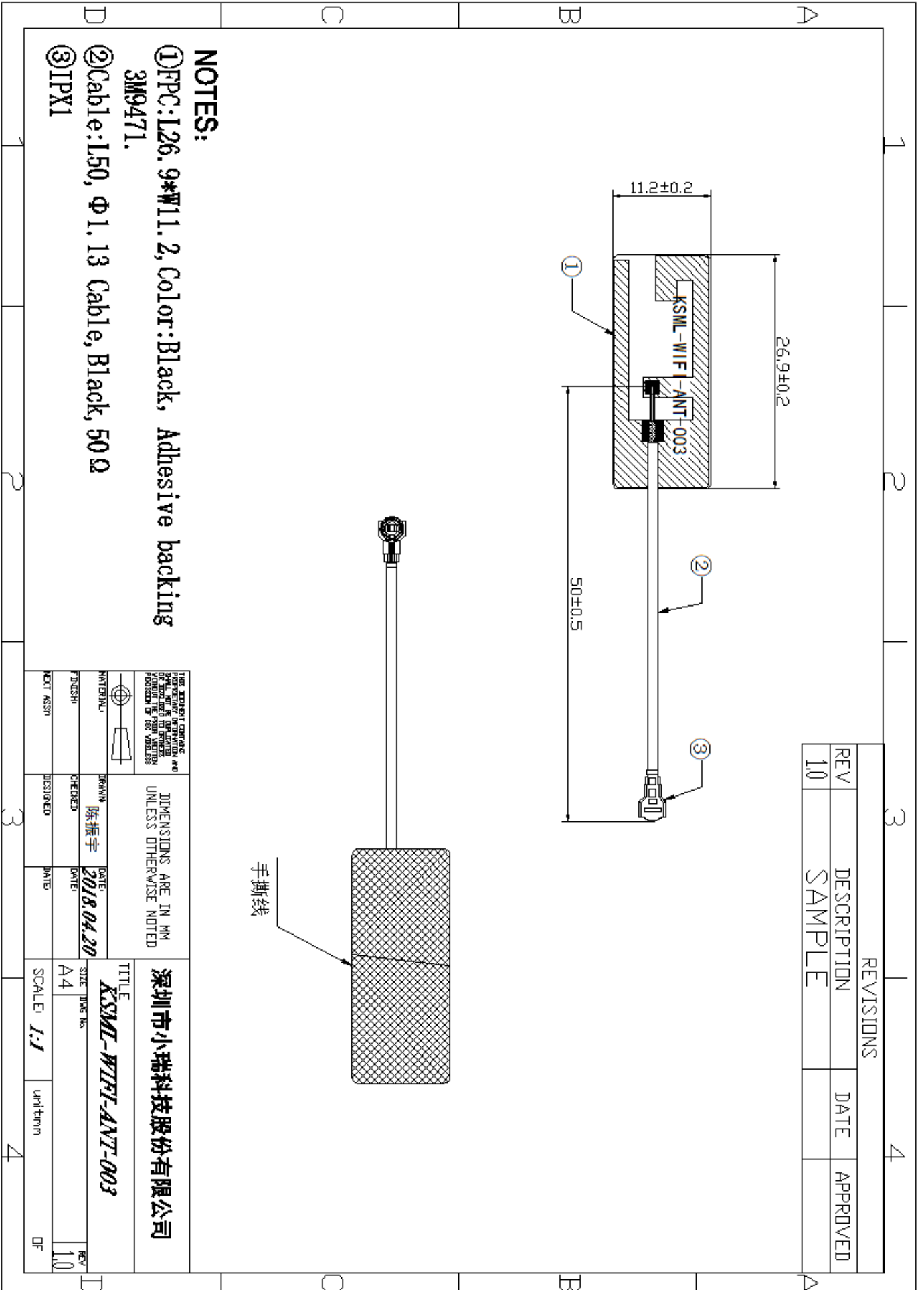
Frequency	Efficiency(%)		Frequency	E Total. dB(dBi)
2400MHz	54.42		2400MHz	2.84
2410MHz	54.43		2410MHz	2.46
2420MHz	53.23		2420MHz	2.71
2430MHz	52.12		2430MHz	2.36
2440MHz	50.38		2440MHz	2.58
2450MHz	50.45		2450MHz	2.56
2460MHz	59.43		2460MHz	2.94
2470MHz	59.84		2470MHz	2.78
2480MHz	51.45		2480MHz	2.32
2490MHz	51.94		2490MHz	2.39
2500MHz	52.55		2500MHz	2.41

Test environment and test methods



Chamber definition:

- a. An anechoic chamber(6mx4mx4m) which satisfied far-field condition was applied to avoid multi-path effect;
- b. The quiet room region is 60cmX60cmX60cm at the center of rotator;
- c. Two standard gain antenna are both BBHA 9120 LFA (0.7--6GHz).



- NOTES:**
- ①FPC:L26.9*W11.2, Color:Black, Adhesive backing 3M9471.
 - ②Cable:L50, Φ1.13 Cable, Black, 50 Ω
 - ③IPX1

REVISIONS			
REV	DESCRIPTION	DATE	APPROVED
1.0	SAMPLE		

THE EXERCISE CONTAINS INFORMATION OF THE COMPANY'S TRADE SECRETS AND OTHER INFORMATION. IT IS STRICTLY PROHIBITED TO DISCLOSE IT TO OTHERS WITHOUT THE PERMISSION OF THE COMPANY.		DIMENSIONS ARE IN MM UNLESS OTHERWISE NOTED	
ANTENNA: DUSHI NEXT ASSIN	DESIGNER: 陈振宇 CHECKED: DATE: 2018.04.20	DATE: 2018.04.20	TITLE: KSM-L-WIFI-ANT-003
SCALE: 1:1		UNIT:mm	REV: 1.0

深圳市小瑞科技股份有限公司

手撕线