

**X-TRA**  
WIRELESS

**USER GUIDE**

Performance Bluetooth Over-Ear Headphones for Sports



#### Compliance with FCC rules (U.S.A., only)

This device complies with Part 15 of the FCC rules. Operation is subject to the following two conditions:

(1) This device may not cause harmful interference, and (2) this device must accept any interference received, including interference that may cause undesired operation.

#### Warning

Changes or modifications to this unit not expressly approved by the party responsible for compliance could avoid the user's authority to operate the equipment.

#### Note

This equipment has been tested and found to comply with the limits for a Class B digital device, pursuant to Part 15 of the FCC Rules. These limits are designed to provide reasonable protection against harmful interference in a residential installation. This equipment generates, uses and can radiate radio frequency energy and, if not installed and used in accordance with the instructions, may cause harmful interference to radio communications.

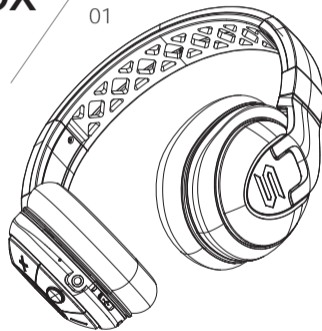
However, there is no guarantee that interference will not occur in a particular installation. If this equipment does cause harmful interference to radio or television reception, which can be determined by turning the equipment off and on, the user is encouraged to try to correct the interference by one or more of the following measures:

- Reorient or relocate the receiving antenna.
- Increase the separation between the equipment and receiver.
- Connect the equipment into an outlet on a circuit different from that to which the receiver is connected.
- Consult the dealer or an experienced radio/TV technician for help.

#### \* RF warning for Portable device:

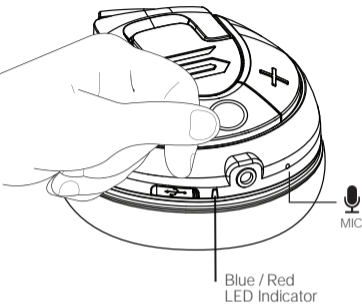
The device has been evaluated to meet general RF exposure requirement. The device can be used in portable exposure condition without restriction.

## WHAT'S IN THE BOX



- 01 X-TRA  
02 USB Charging Cable  
03 Audio Cable  
04 Carrying Case





## PAIRING

1. In the "OFF" position. Turn "ON" pairing mode by pressing and holding the "ON/OFF" button on the remote for 5 seconds until the Blue/Red LED light starts to flash on the headphones.
2. On your phone/music devices, turn Bluetooth on. It should start searching for devices.
3. Find "SOUL X-TRA" and select.  
(You may need to enter passcode 0000 if prompted)
4. Voice prompt or beeping sound will indicate that the X-TRA is connected.
5. If pairing fails, turn off the headphones by pressing on the "ON/OFF" button for 5 seconds then repeat the process.  
(You may also see your phone/music devices instructions for more information)

## AUTO PAIRING MODE

1. Paired devices will remember each other unless pairing information is deleted.
2. After initial pairing, simply press the ON/OFF button for 3 seconds and the headphones will be paired with the phone/music device automatically.
3. To pair a new phone/music device, go into Bluetooth settings on your phone/music device, delete paired device and repeat the "PAIRING" instructions above.

## MULTIPOINT

(PAIRING WITH MORE THAN ONE DEVICE)

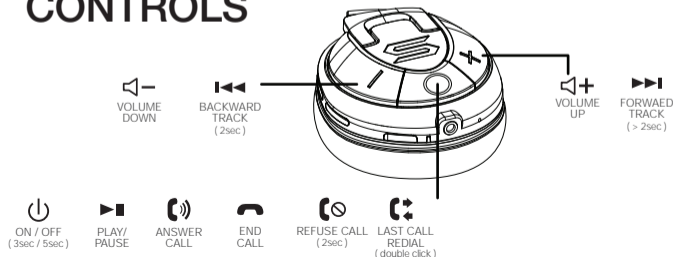
1. With SOUL multipoint technology, you can pair and connect X-TRA with up to two Bluetooth devices to your headphones.
2. The headset must be in standby mode (Not connected with any device or phone)
3. To turn on, user can press the volume "+" and "ON/OFF" buttons together. User will hear a tone which indicates the activation of this feature.
4. To turn off, user can press the volume "-" and "ON/OFF" buttons together. User will hear a tone which indicates the deactivation of this feature.

### TIP:

\* Once Multipoint is on, please be sure to repeat "PAIRING" instructions for both phones/devices.

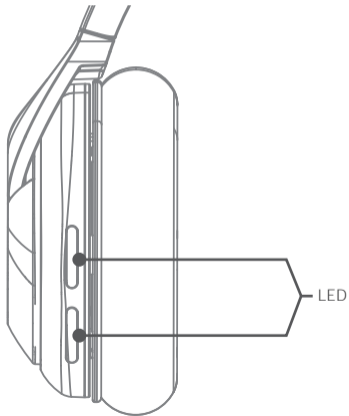
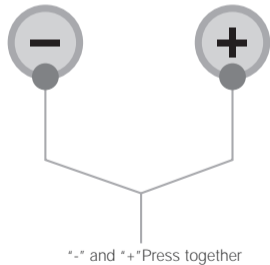
\*\*Please make sure the multipoint function is off when not connected to 2 phones/devices.

## CONTROLS



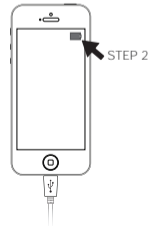
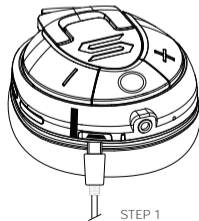
# SAFETY LED LIGHT

1. LED lights is defaulted to be on when X-TRA is switched on.
2. Switch between the still / flashing mode and "OFF" by pressing the "-" and "+" button together.



# BATTERY LIFE AND CHARGING

1. Charging the battery prior to first use is recommended but not required. The X-TRA is pre-charged however initial charge will vary.
2. Battery life status will be indicated at the top right corner of your iPhone screen.
3. Low battery indicator on headphones are shown by a Red LED light. Charge the headphones when the flashing light turns Red.
4. When charging, Red LED light means the headphones are being charged. A Blue LED light means the headphones are fully charged.



# SPECIFICATIONS

Bluetooth Version:  
V4.0

Profile:  
A2DP, AVRCP, HSP, and HFP.

Range:  
10 meters (33 feet)

Charging time (Full charge):  
Approx. 2-3hours

Working time:  
Up to 24 hours  
(Varies by volume content and Safety LED Light is off)

Standby time:  
Up to 20 days

Dimensions:  
164L x 200H x 72W (mm) headphone size

Weight:  
198g

## **WARNING**

DO NOT use alcohol, paint thinners, detergent, shampoo, or other solvents for cleaning purposes.  
DO NOT expose your headphones to extremely high or low temperatures.  
DO NOT disassemble your headphones in any way to avoid electric shock.  
DO NOT dispose your headphone into a fire. The battery could explode and cause injury or death.  
Only charge the battery in accordance to the instructions provided by the company.

## **CAUTION**

Risk Of Explosion Increases If Battery Is Replaced By An Incorrect Type.  
Dispose Used Batteries According To The Instructions.

## **INSTRUCTIONS**

Do Not Discard The Used Batteries Along With Household Waste.  
Disposal Of Battery Should Comply With Local Environmental Regulations.

## **CONNECT AND GET LISTENING !**

# SOUL®

Join #SOULNATION

Please follow us on our social media platforms for news and updates !



@Soulelectronics



Soul Electronics



Soul Electronics

