



9029

Safety and important information	EN	3
Sécurité et informations importantes	FR	7
Información de seguridad e información importante	ES	11
Sicherheitsinformationen und wichtige Hinweise	DE	15
Informazioni sulla sicurezza e altre informazioni importanti	IT	20
Informações Importantes e Sobre Segurança	PT	24
Veiligheidsinformatie en belangrijke informatie	NL	29
Information om säkerhet och annan viktig information	SV	33
Turvallisuus ja tärkeitä tietoja	FI	37
Sikkerhedsoplysninger og vigtige oplysninger	DA	41
Biztonsági és fontos tudnivalók	HU	45
Informacje o bezpieczeństwie i ważne uwagi	PL	50
Informacije o varnosti in pomembne informacije	SL	54
Informace o bezpečnosti a důležitá sdělení	CS	58
Πληροφορίες για την ασφάλεια και σημαντικές πληροφορίες	EL	62
Информация за безопасността и важна информация	BG	67
Informācija par drošību un cita svarīga informācija	LV	72
Darbo saugos ir kita svarbi informacija	LT	76
Informácie o bezpečnosti a dôležité informácie	SK	80



markem·imaje

a DOVER company

... / ...

Ohutusteave ja oluline teave	ET	84
Informații cu privire la siguranță și alte informații importante	RO	88
Sigurnost i važne informacije	HR	92
Güvenlik ve Önemli Bilgiler	TR	96
安全和重要信息	ZH	100
安全と重要な情報	JA	103
안전 및 유의사항	KO	107
ข้อมูลเพื่อความปลอดภัยและข้อมูลสำคัญ	TH	111
安全和重要資訊	TW	114
Các thông tin quan trọng và Bảo mật	VN	117
Sikkerhetsinformasjon og viktig informasjon	NO	121
Безопасность и важная информация	RU	125
Keamanan dan Informasi Penting	ID	130
الأمان والمعلومات الهامة	AR	135
בטיחות ומידע חשוב	HE	138

This manual comprises a text section and an illustrated section. You will find the illustrated section at the end of the text section.

Keep this information to hand so you can refer back to it at a later date.

■ Important note

The **instruction manual** provides information on the printer description, its start-up and shutdown, printing and message modification as well as first-level maintenance and troubleshooting.

The **instruction manual** is accessible in PDF format from the DVD supplied with your printer.

The **user manual** that lists all of the features is also available in PDF format from the DVD supplied with your printer.

■ EU DECLARATION OF CONFORMITY (translation)

MARKEM-IMAJE INDUSTRIES
9 Rue Gaspard Monge, BP 110
26500 Bourg Les Valence Cedex, France
ensures that the ink jet marking and coding equipment referenced below:

Serial number:

Software Version:

is in accordance with European Directives applicable to ink jet marking and coding equipment, that is to say:

- with the machines directive 2006/42/EC and with the relevant European standards:

ISO 13849-1 : 2015, EN 12100 : 2010 . . .

- with the Directive RED 2014/53/EU and European standards that constitute the technical response,

EN 61000-6-2, 2005. EN 61000-6-4, 2007 + A1

2011, EN55022 : 2010, EN61000-3-2 : 2014,

EN61000-3-3 : 2013, ETSI 301 489-1 V1.9.2

: 2011, ETSI 301 489-3 V1.6.1 : 2013, ETSI

301 489-1 V2.1.1, ETSI 301 489-3 V2.1.1,

ETSI 302 291-1 V1.1.1 : 2005, ETSI 302 291-2

V1.1.1 : 2005, ETSI EN 300 330 V2.1.1 : 2016,

EN 50364 2010, EN 62369-1, 2009. EN 60950-

1 : 2006 + A11 : 2009 + A1 : 2010 + A12 : 2011

+ A2 : 2013

The notified body LCIE No 0081 carried out an EU-type examination, in accordance with Article 3.2 of the 2014/53/EU Directive and issued the type-examination certificate No: RED_33

The above referenced apparatus bears the EC marking.

Bourg-lès-Valence, July 11th, 2017

The authorized person to write this declaration and to compile the relevant technical file residing in the Community.

Dominique Chanut

Regulatory Compliance Manager Markem-Imaje Industries

This document was originally written in French.

■ Safety

Before using this printer, please read and fully comply with these instructions, the material safety data sheet (MSDS) for consumables used, and safety labels affixed to the printer. Servicing must be performed only by qualified people who are appropriately trained.

■ Liability

Markem-Imaje shall not be liable for any damage or injury resulting from any failure to follow these safety instructions, as well as good manufacturing practices and safety standards that are generally applicable in the industry, when installing, using or servicing Markem-Imaje equipment.

Any user who modifies or repairs Markem-Imaje equipment, uses consumables, spare parts or accessories other than those supplied by Markem-Imaje, or fails to comply with Markem-Imaje specifications shall have sole responsibility for the consequences thereof.

Markem-Imaje shall not be liable for any malfunction or damage caused by any modification of the equipment or use of the equipment for any purposes other than those for which it is designed. The user shall be solely responsible for taking any precautions required by any use to which the user puts the Markem-Imaje equipment.

Markem-Imaje consumables (inks, cleaning products and other consumables), spare parts and accessories are designed for use with Markem-Imaje equipment.

Use of consumables, spare parts or accessories, that are not produced or recommended by Markem-Imaje for use with the specific Markem-Imaje equipment may harm the equipment and cause performance failures.

Because Markem-Imaje equipment is tested with Markem-Imaje consumables and spare parts for conformity with certain regulations and safety standards, use of non-Markem-Imaje consumables

and spare parts also may be inconsistent with testing conditions and affect compliance of the equipment with certain standards. The user shall bear all risks associated with use of unsuitable consumables and spare parts.

This equipment is certified in accordance with the requirements for CE marking.

■ Health / Hygiene / Environment



For certain consumables:

- Wearing contact lenses when handling these consumables is strictly prohibited.
- Ink-resistant gloves and safety goggles are recommended during cleaning operation.

Max. noise level	< 70 dbA
Operating temperature	+5°C to +40°C (+41°F to +104°F)
Humidity	0 - 90% RH with no condensation

The use of certain inks may limit the temperature and humidity ranges (see the ink specification sheet).

The printer must not be used in explosive atmospheres.

■ Fire prevention



CAUTION: For continued protection against possible fire, use only the ink/additive mixtures specified by Markem-Imaje.

If your printer uses flammable ink or additive:

- Never leave containers containing ink, additive or cleaning products, or ink-soaked rags (even dry) near the printer.
- Install a foam, CO₂ or powder extinguisher immediately adjacent to the printer (maximum 10 meters).
- Never smoke near the printer. Affix a sign «NO SMOKING, FLAMMABLE INK» near the printer.
- Ensure that the printer is kept particularly clean, as dried ink deposits remain highly flammable.
- Drums of ink, additive and cleaning solution must be closed and stored in a ventilated room.

■ Handling

When a printer contains consumables, it may only be moved in a vertical position, over a short distance (e.g. within a workshop). Completely drain the printer before moving it in a position other than vertical, or if it is to be transported for a longer distance (e.g. in a vehicle).

Printer weight*	18,5 Kg (40.8 lbs)
-----------------	--------------------

* Without option, without ink

Due to the weight of the system, several people are required to handle it.

■ Installation

Installation work must be performed without fail by a team of Markem-Imaje technicians. Any person modifying the installation shall be wholly liable for such modifications.

The print head must be secured firmly in place with fastening devices.

The printer must be installed in a ventilated location, away from any source of heat, flames or sparks.

The printer installation on the production line must not generate any risks for staff. The console must not be integrated on a moving system.

The operator's work station faces the printer.

The printer must be connected to a single phase mains electricity network with earth ground, using the cable supplied with the printer. The standard plug on this cable must be easily accessible.

The electrical and pneumatic installations upline of the printer must comply with applicable regulations. Printer electrical characteristics: see manufacturer's plate inside the door near the consumables.

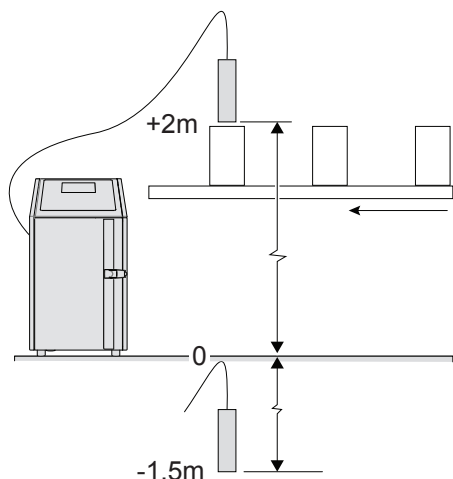
When the printer or a part thereof is attached to a stand, the stand must be connected to earth ground.

Earth ground all conducting parts not at a voltage reference and which are related to or close to the printer (metal frames, protective guards, etc.).

For information on fastening a Markem-Imaje accessory, refer to the assembly instructions delivered with it.

The printer must be placed on a perfectly horizontal and unimpeded surface (the underside of the printer must not be obstructed).

The print head must be between -1.5 m and +2 m from the bottom of the console.



■ There are three types of installation:

(see the illustrated section at the end of the document)

1	Wall-mounted	The fasteners (anchors + bolts) must withstand a weight of at least 35 kg.
2	Tabletop	
3	On base	Stabilizer weights (x 2) mandatory. They can be mounted above.

■ Use

The printer is designed for contact-free printing by projecting ink. Any other use of the printer is prohibited, and any consequences shall be under the entire responsibility of the user.

■ Servicing

We recommend that maintenance work be carried out only by staff who have received technical training from Markem-Imaje and who have the appropriate personal protective equipment (safety shoes, glasses, gloves, etc.). Any maintenance work not described in this manual must be carried out by Markem-Imaje technicians.

Disconnect the printer from the mains before any operations requiring components to be removed or exchanged. Use appropriate tools for any work on the electrical and hydraulic circuits.

After each maintenance operation, the waste receptacles used should be emptied and cleaned. Do not leave rags soaked with consumables near

the printer.

This unit contains a non-replaceable internal lithium ion battery. The battery may burst or explode, releasing hazardous chemicals. To reduce the risk of fire or burns, do not crush, puncture, or dispose of the battery in fire or water.

■ Recycling



Disposal of used batteries and rechargeable batteries (applicable in European Union countries and other European countries with selective waste collection systems).



Disposal of used electrical and electronic equipment (applicable in European Union countries and other European countries with selective waste collection systems).

These symbols indicate that the electrical and electronic device, and the batteries and rechargeable batteries therein, must not be disposed of at the end of its life as ordinary municipal solid waste. By ensuring that these items are disposed of appropriately, you play an active role in avoiding the harmful consequences that incorrect disposal could have on the environment and human health. The recycling of materials contributes to the preservation of natural resources.

By entrusting your end-of-life electrical devices to a duly authorized disposal company, you ensure that all the items therein will be handled correctly.

In all other cases and in order to safely remove batteries, rechargeable batteries and other materials, see the user manual or contact your Markem-Imaje representative.

■ Waste consumables

The Consumable waste must be managed in compliance with local regulations related to waste management and dangerous goods transport.

Transport, transit, treatment of consumable waste must be operated by entity owning appropriate waste management licences.

Consumable waste must be treated in compliance with local regulations either by recycling solution (e.g distillation), incineration with energy recovery, incineration or specific land filling.

■ FCC Rules

Caution: Changes or modifications not expressly

approved by the party responsible for compliance could void the user's authority to operate the equipment.

NOTE: This equipment has been tested and found to comply with the limits for a Class A digital device, pursuant to Part 15 of the FCC Rules. These limits are designed to provide reasonable protection against harmful interference when the equipment is operated in a commercial environment. This equipment generates, uses, and can radiate radio frequency energy and, if not installed and used in accordance with the instruction manual, may cause harmful interference to radio communications. Operation of this equipment in a residential area is likely to cause harmful interference in which case the user will be required to correct the interference at his own expense.

For Canada :

Under Industry Canada regulations, this radio transmitter may only operate using an antenna of a type and maximum (or lesser) gain approved for the transmitter by Industry Canada.

To reduce potential radio interference to other users, the antenna type and its gain should be so chosen that the equivalent isotropically radiated power (e.i.r.p.) is not more than that necessary for successful communication.

This device complies with Industry Canada licence-exempt RSS standard(s). Operation is subject to the following two conditions: this device may not cause interference and this device must accept any interference, including interference that may cause undesired operation of the device.

■ Printer integration

If this equipment is integrated in a machine, please read the instruction manual for the machine before working on the printer.

If the printer is incorporated in a machine or assembled with other machines in a way that forms machinery covered by the Directive 2006/95/CE:

- It may not operate independently
- It must not be commissioned until the end machine in which it is incorporated has been declared to comply with the relevant provisions of the Directive on Machinery and other European Directives applicable to the end machine.

■ DECLARATION OF INCORPORATION (translation)

Declaration of incorporation in terms of the European Machinery Directive 2006/42/EC, annex II B

MARKEM-IMAJE INDUSTRIES

9 Rue Gaspard Monge, BP 110

26500 Bourg Les Valence Cedex, France

declares that the marking and coding equipment ink jet referenced below:

meets the general safety and health of the Machinery Directive 2006/42/EC, Annex 1 Ink jet printer equipment that responds more to the EC directives, that is to say:

- with the Machinery Directive 2006/42/EC and European Standards that constitute the technical answer:

ISO13849-1: 2015, EN12100: 2010.

- with the RED directive 2014/53/EU and with the relevant European standards.

The notified body LCIE N ° 0081 carried out the work on the radio part and issued the EU-type certificate.

EN 61000-6-2: 2005. EN 61000-6-4: 2007

+ A1 2011, EN55022: 2010, EN61000-3-2:

2014, EN61000-3-3: 2013, ETSI 301 489-1

V2.1.1, ETSI 301 489-3 V2.1.1, ETSI EN 300

330-1 V2.1.1, EN 50364 2010, EN 62369-1,

2009. EN 60950-1: 2006 + A11: 2009 + A1 :

2010 + A12 : 2011 + A2 : 2013

The documentation for this Ink jet printer equipment has been drafted in accordance with Annex VII, Part B.

The manufacturer undertakes to forward, following a motivated request of national authorities, relevant information regarding this Ink jet printer equipment.

The Ink jet printer equipment is intended to be incorporated into machinery or assembled with other machineries to create a machinery to which the Machinery Directive 2006/42/EC and that cannot work independently.

This Ink jet printer equipment may not be put into operation until conformity of the final machine into which it is to be incorporated has been declared in conformity with the relevant provisions of the Machinery Directive and the European Directives applicable to the final machine.

Bourg-lès-Valence, June 13th, 2017

The authorized person for the relevant technical documentation residing within the Community

Dominique Chanut
Regulatory Compliance Manager Markem-
imaje Industries
This document was originally written in
French.

For Marking & Coding Equipment. Photographs and drawings are not binding in detail. This document was originally written in French. The French text of this document shall alone be authentic and shall prevail in the event of a dispute. Markem-Imaje reserves the right to modify the specifications of its products without prior notice. Any reproduction, even partial, of this document is prohibited. © 2018 Markem-Imaje All Rights Reserved.

FR

Cette notice se compose d'une partie texte et d'une partie illustrée. Vous trouverez cette dernière à la fin de la partie texte.

Conservez ces informations à portée de main afin de pouvoir vous y reporter ultérieurement.

■ Avertissement important

La **notice d'instruction** présente des informations sur la description de l'imprimante, son démarrage et son arrêt, l'impression et la modification des messages ainsi que la maintenance et le dépannage de premier niveau.

La **notice d'instruction** est accessible au format PDF depuis le DVD fourni avec votre imprimante.

Le **manuel utilisateur** regroupant l'ensemble des fonctionnalités est également disponible au format PDF depuis le DVD fourni avec votre imprimante.

■ DÉCLARATION DE CONFORMITÉ UE

MARKEM-IMAJE INDUSTRIES
9 Rue Gaspard Monge, BP 110
26500 Bourg Les Valence Cedex, France
certifie que l'équipement de marquage et
codage à jet d'encre, désigné ci-dessous :
N° de série :

Logiciel Version :
est conforme aux directives européennes
applicables aux équipements de marquage et
codage à jet d'encre, soit :

- à la directive machines 2006/42/CE et aux normes européennes qui en constituent la réponse technique,
ISO 13849-1 : 2015, EN 12100 : 2010.
- à la directive RED 2014/53/UE et aux normes européennes qui en constituent la réponse technique,

EN 61000-6-2, 2005, EN 61000-6-4, 2007 + A1
2011, EN55022 : 2010, EN61000-3-2 : 2014,
EN61000-3-3 : 2013, ETSI 301 489-1 V1.9.2
: 2011, ETSI 301 489-3 V1.6.1 : 2013, ETSI
301 489-1 V2.1.1, ETSI 301 489-3 V2.1.1,
ETSI 302 291-1 V1.1.1 : 2005, ETSI 302 291-2
V1.1.1 : 2005, ETSI EN 300 330 V2.1.1 : 2016,
EN 50364 2010, EN 62369-1, 2009, EN 60950-
1 : 2006 + A11 : 2009 + A1 : 2010 + A12 : 2011
+ A2 : 2013

L'organisme notifié LCIE N° 0081 a réalisé un
examen UE de type, suivant l'article 3.2 de la
directive 2014/53/UE et a délivré le certificat
d'examen de type N° : RED_33

En conséquence, le matériel ci-dessus cité,
peut porter le marquage CE.

Bourg-lès-Valence, le 11 juillet 2017

La personne autorisée à rédiger cette
déclaration et à constituer le dossier technique
correspondant résidant dans la communauté.

Dominique CHANUT
Responsable Normalisation/homologation
Markem-imaje Industries

L'original de ce document a été rédigé en
français.

■ Sécurité

Avant d'utiliser cette imprimante, veuillez lire et
respecter scrupuleusement les instructions, la
fiche de sécurité (FDS) pour les consommables
utilisés et les étiquettes de sécurité figurant sur
l'imprimante. Le dépannage doit être effectué
exclusivement par un personnel qualifié
convenablement formé.

■ Responsabilité

Markem-Imaje ne sera pas responsable des
dommages ou accidents causés par le non-respect
des instructions de sécurité, ainsi que des bonnes
pratiques de fabrication et des normes de sécurité
généralement applicables dans l'industrie, lors de
l'installation, de l'utilisation ou de la maintenance
du matériel Markem-Imaje.

Toute personne qui modifie ou répare le matériel
Markem-Imaje, qui utilise des consommables,
des pièces détachées ou des accessoires autres
que ceux fournis par Markem-Imaje, ou qui ne
respecte pas les spécifications de Markem-Imaje
assume l'entière responsabilité des conséquences
engendrées.

Markem-Imaje ne sera pas responsable de tout
dysfonctionnement ou dommage causé par une
modification du matériel ou de son utilisation

à toute fin autre que celle pour laquelle il a été développé. Il incombe au seul utilisateur de prendre les précautions nécessaires à l'usage qu'il souhaite faire du matériel Markem-Imaje.

Les consommables (encres, produits d'entretien et autres consommables), pièces détachées et accessoires Markem-Imaje sont conçus pour être utilisés avec le matériel Markem-Imaje.

L'utilisation de consommables, de pièces détachées ou d'accessoires qui ne sont pas fabriqués ou recommandés par Markem-Imaje pour une utilisation avec le matériel Markem-Imaje dédié peut endommager le matériel et provoquer des pannes ou dysfonctionnements.

Le matériel Markem-Imaje étant testé en vue de sa conformité avec certaines réglementations et normes de sécurité avec des consommables et des pièces détachées Markem-Imaje, l'utilisation de consommables et de pièces détachées autres que ceux fabriqués ou recommandés par Markem-Imaje peut être incompatible avec les conditions de test et nuire à la conformité du matériel à ces réglementations et normes. L'utilisateur assume tous les risques associés à l'utilisation de consommables et pièces détachées inadaptés.

Ce matériel est certifié conforme aux conditions du marquage CE.

■ Santé / Hygiène / Environnement



Pour certains consommables :

□ Le port de lentilles de contact lors de la manipulation de ces consommables est formellement interdit.

□ Le port de gants résistants à l'encre et de lunettes de sécurité est recommandé pendant les opérations de nettoyage.

Niveau de bruit max.	< 70 dbA
Température de fonctionnement	+5 °C à +40 °C (+41 °F à +104 °F)
Humidité	0 - 90% RH sans condensation

L'usage de certaines encres peut limiter les plages de température et d'humidité (voir la fiche de spécification d'utilisation de l'encre).

L'utilisation de l'imprimante est interdite en atmosphère explosive.

■ Prévention incendie

ATTENTION : Pour assurer une protection contre les éventuels risques d'incendie, seul l'usage des couples encre/additif spécifiés par Markem-Imaje

est autorisé.

Si votre imprimante utilise de l'encre ou de l'additif inflammable :

□ Ne jamais laisser à proximité de l'imprimante, ni récipients contenant de l'encre, de l'additif ou des produits utilisés pour le nettoyage de l'imprimante, ni chiffons imprégnés d'encre, même secs.

□ Placer un extincteur à mousse, à CO2 ou à poudre à proximité immédiate de l'imprimante (10 mètres maximum).

□ Ne jamais fumer près de l'imprimante. Placer à proximité un panneau «DEFENSE DE FUMER, ENCRE INFLAMMABLE».

□ Veiller à ce que l'imprimante reste particulièrement propre, compte tenu qu'un dépôt d'encre sèche reste très inflammable.

□ Les bidons d'encre, d'additif et de solution de nettoyage doivent être fermés et stockés dans une pièce ventilée.

■ Manutention

Lorsque l'imprimante contient des consommables, elle ne peut être déplacée que dans une position verticale, sur une courte distance (atelier,...). Vidanger totalement l'imprimante avant de la déplacer dans une position autre que verticale ou sur un trajet plus long (véhicule, ...).

Masse de l'imprimante*	18,5 Kg (40.8 lbs)
------------------------	--------------------

* Sans option, sans encre.

Du fait de la masse du système, sa manutention nécessite la participation de plusieurs personnes.

■ Installation

Les travaux d'installation doivent être obligatoirement confiés à une équipe de techniciens Markem-Imaje. Toute modification de l'installation est de la responsabilité de son auteur. La tête d'impression doit être fixée par des dispositifs de fixation assurant une parfaite stabilité de celle-ci.

L'imprimante doit être installée dans un lieu ventilé et éloignée de toute source de chaleur, de flamme ou d'étincelle.

L'installation de l'imprimante sur la chaîne de production ne doit pas engendrer de risques pour le personnel. Le pupitre ne doit pas être intégré sur un système en mouvement.

Le poste de travail de l'opérateur se situe face à l'imprimante.

Le raccordement au réseau électrique monophasé avec terre doit être réalisé à l'aide du cordon fourni avec l'imprimante. La prise normalisée qui équipe ce cordon doit être facilement accessible.

Les installations électrique et pneumatique en

amont de l'imprimante, doivent être conformes aux normes en vigueur. Caractéristique électrique de la machine : se reporter à la plaque signalétique de l'imprimante se trouvant à l'intérieur de la porte côté consommables.

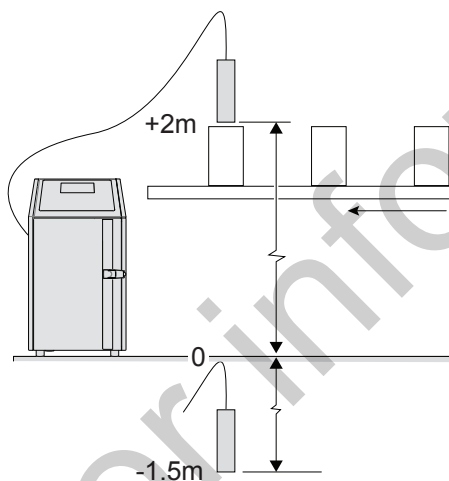
Lorsque l'imprimante ou une partie de l'imprimante est fixée sur un support, celui-ci doit être relié à la terre.

Relier à la terre les pièces conductrices non référencées à un potentiel et en relation avec l'imprimante ou au voisinage de celle-ci (châssis métalliques, carters de protection, etc ...).

Pour la fixation des accessoires Markem-Imaje, se reporter à la notice de montage de l'accessoire livrée avec celui-ci.

L'imprimante doit être posée sur une surface libre (le dessous de l'imprimante ne doit pas être obstrué) et parfaitement horizontale.

La distance entre le bas du pupitre et la tête d'impression doit être comprise entre -1.5 m et +2 m.



• **Trois types d'installation sont possibles :**
(voir la partie illustrée en fin de document)

1	Murale	La fixation (chevilles + vis) doit supporter un poids d'au moins 35 kg.
2	Sur table	
3	Sur pied	Poids de stabilité (x 2) obligatoires. Ils peuvent être montés dessus.

■ Utilisation

L'imprimante est conçue pour marquer, sans

contact, par projection d'encre. Toute autre utilisation de l'imprimante, est interdite, et engage la responsabilité de son auteur quant à ses conséquences éventuelles.

■ Entretien - dépannage

Nous recommandons que les opérations de maintenance soient effectuées uniquement par des techniciens ayant reçu une formation technique chez Markem-Imaje, équipés d'Equipements de Protection Individuelle adaptés (chaussures de sécurité, lunettes, gants...). Celles qui ne sont pas décrites dans le Manuel Utilisateur doivent être confiées à des techniciens Markem-Imaje.

Déconnecter l'imprimante du réseau électrique avant toute intervention nécessitant le démontage ou l'échange de composant. Utiliser des outils adaptés pour toute intervention sur les circuits électrique et hydraulique.

Après chaque intervention de maintenance, vider et nettoyer les récipients utilisés et ne pas laisser de chiffons imbibés de consommables à proximité de l'imprimante.

Cet appareil contient une batterie au Lithium qui ne doit pas être remplacée. La batterie peut exploser et émettre des produits chimiques dangereux. Pour réduire tout risque d'incendie ou de brûlure, ne pas écraser, percer ou mettre la batterie au rebut dans le feu ou dans l'eau.

■ Recyclage



Elimination des piles et accumulateurs usagés (applicable dans les pays de l'union européenne et aux autres pays européens disposant de systèmes de collecte sélective).



Elimination des appareils électriques et électroniques usagés (applicable dans les pays de l'union européenne et aux autres pays européens disposant de systèmes de collecte sélective).

Ces symboles indiquent que l'appareil électrique et électronique en fin de vie ainsi que les piles et accumulateurs qui le constituent, ne doivent pas être traités comme de simples déchets ménagers. En vous assurant que ces éléments sont mis au rebut de façon appropriée, vous participez activement à la prévention des conséquences négatives que leur mauvais traitement pourrait provoquer sur l'environnement et sur la santé humaine. Le recyclage des matériaux contribue à la préservation des ressources naturelles.

En confiant votre appareil électrique en fin de vie à une société dûment habilitée, vous vous assurez que tous les éléments incorporés seront traités correctement.

Pour tous les autres cas de figure et afin d'enlever les piles, les accumulateurs ou autres matériaux en toute sécurité de votre appareil, reportez-vous au manuel d'utilisation ou contactez votre représentant Markem-Imaje.

■ Déchets des consommables

Les déchets des consommables doivent être gérés en conformité avec les réglementations locales relatives à la gestion des déchets ainsi que le transport des marchandises dangereuses.

Le transport, le transit et le traitement des déchets des consommables doivent être gérés par une entité détenant des licences appropriées pour la gestion des déchets.

Les déchets des consommables doivent être traités en conformité avec les réglementations locales, soit par solution de recyclage (par exemple distillation), soit par incinération avec récupération d'énergie ou incinération et enfouissement en terre spécifique.

■ Règles FCC

Attention : Des changements ou des modifications non expressément approuvés par les responsables de la conformité pourraient annuler l'autorisation de l'utilisateur à utiliser l'équipement.

REMARQUE : Cet équipement a été testé et s'est avéré conforme aux limites de la classe A des appareils numériques, conformément à la Partie 15 des règlements de la FCC. Ces limites sont destinées à fournir une protection raisonnable contre les interférences nuisibles lorsque l'équipement est utilisé dans un environnement commercial. Cet équipement génère, utilise et peut émettre des fréquences radio et, s'il n'est pas installé et utilisé conformément au manuel d'instructions, peut causer des interférences nuisibles pour les communications radio. Le fonctionnement de cet équipement dans une zone résidentielle est susceptible de provoquer des interférences nuisibles, auquel cas l'utilisateur sera tenu de corriger les interférences à ses propres frais.

Pour le Canada :

Conformément à la réglementation d'Industrie Canada, le présent émetteur radio peut fonctionner avec une antenne d'un type et d'un gain maximal (ou inférieur) approuvé pour l'émetteur par

Industrie Canada.

Dans le but de réduire les risques de brouillage radioélectrique à l'intention des autres utilisateurs, il faut choisir le type d'antenne et son gain de sorte que la puissance isotrope rayonnée équivalente (p.i.r.e.) ne dépasse pas l'intensité nécessaire à l'établissement d'une communication satisfaisante. Le présent appareil est conforme aux CNR d'Industrie Canada applicables aux appareils radio exempts de licence. L'exploitation est autorisée aux deux conditions suivantes : l'appareil ne doit pas produire de brouillage, et l'utilisateur de l'appareil doit accepter tout brouillage radioélectrique subi, même si le brouillage est susceptible d'en compromettre le fonctionnement.

■ Intégration de l'imprimante

Dans le cas où cet appareil est intégré dans une machine, veuillez à prendre connaissance du manuel d'instructions de cette machine avant toute intervention sur l'imprimante.

Dans le cas où l'imprimante est incorporée dans une machine ou est assemblée avec d'autres machines en vue de constituer une machine auquel s'applique la directive 2006/95/CE :

- elle ne peut pas fonctionner de façon indépendante
- elle ne doit pas être mis en service tant que la machine finale dans laquelle elle doit être incorporée ait été déclarée conforme aux dispositions pertinentes de la Directive Machine et aux Directives Européennes applicable à la machine finale.

■ DÉCLARATION D'INCORPORATION

Déclaration d'incorporation selon la Directive Européenne Machine 2006/42/CE, annexe II B

MARKEM-IMAJE INDUSTRIES

9 Rue Gaspard Monge, BP 110

26500 Bourg Les Valence Cedex, France

déclare que l'équipement de marquage et codage à jet d'encre, désigné ci-dessous :

répond aux exigences générales de sécurité et de santé de la Directive Machines 2006/42/CE, Annexe1.

Que cet équipement imprimante à jet d'encre répond de plus aux directives CE applicables, soient :

- A la Directive Machines 2006/42/CE et aux Normes Européennes qui en constituent la réponse technique : ISO13849-1 : 2015. EN12100 : 2010

• A la Directive RED 2014/53/UE et aux Normes Européennes qui en constituent la réponse technique. L'organisme notifié LCIE N° 0081 a réalisé le travail sur la partie radio et a délivré l'attestation UE de type.

EN 61000-6-2 : 2005. EN 61000-6-4 : 2007 + A1 2011, EN55022: 2010, EN61000-3-2: 2014, EN61000-3-3 : 2013, ETSI 301 489-1 V2.1.1, ETSI 301 489-3 V2.1.1, ETSI EN 300 330-1 V2.1.1, EN 50364 2010,

EN 62369-1, 2009. EN 60950-1 : 2006 + A11 : 2009 + A1 : 2010 + A12 : 2011 + A2 : 2013

La documentation technique pour cet équipement imprimante à jet d'encre a été rédigée selon l'annexe VII, partie B.

Le fabricant s'engage à transmettre, à la suite d'une demande motivée des autorités nationales, les informations pertinentes concernant cet équipement imprimante à jet d'encre.

Cet équipement imprimante à jet d'encre est destiné à être incorporé dans une machine ou à être assemblé avec d'autres machines en vue de constituer une machine à laquelle s'applique la directive 2006/42/CE et qu'il ne peut fonctionner de façon indépendante.

Cet équipement imprimante à jet d'encre ne doit pas être mis en service avant que la machine finale dans laquelle il doit être incorporé ait été déclaré conforme aux dispositions pertinentes de la Directive Machines et aux Directives Européennes applicables à la machine finale.

Bourg-lès-Valence, le 13 juin 2017

La personne autorisée à la documentation technique correspondante résidant dans la Communauté

Dominique CHANUT

Responsable Normes et homologations
Markem-Imaje Industries

L'original de ce document a été rédigé en français.

Pour matériel de marquage et de codage. Les photographies et illustrations ne sont pas contractuelles. Notice originale. L'original de ce document a été rédigé en français. Seul le texte français de ce document est authentique et fait foi en cas de conflit. Markem-Imaje se réserve le droit de modifier les spécificités de son produit sans préavis. Toute reproduction, même partielle, de ce document est interdite. © 2018 Markem-Imaje Tous droits réservés.