

# WIRELESS DOOR CHIME KIT INSTRUCTION MANUAL

## Model NO: QH-912-2 Front Door and Back Door Door Chime

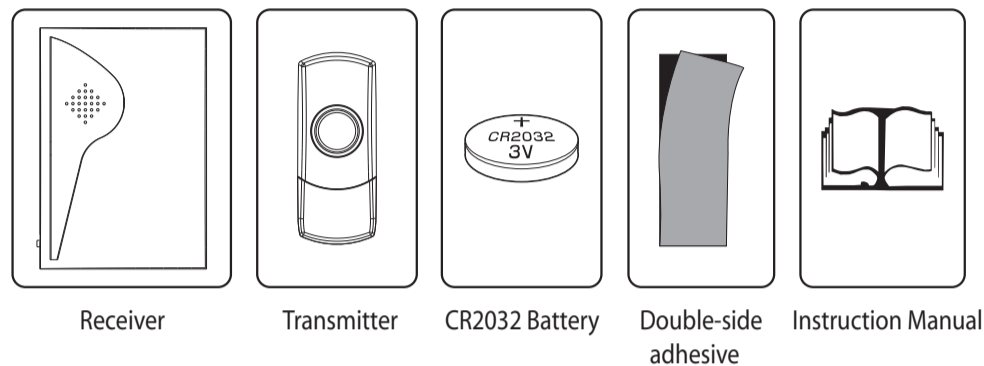
It is very important to install and operate this product according to the following instructions. Failure to do so may render your guarantee void.

### Accessories List

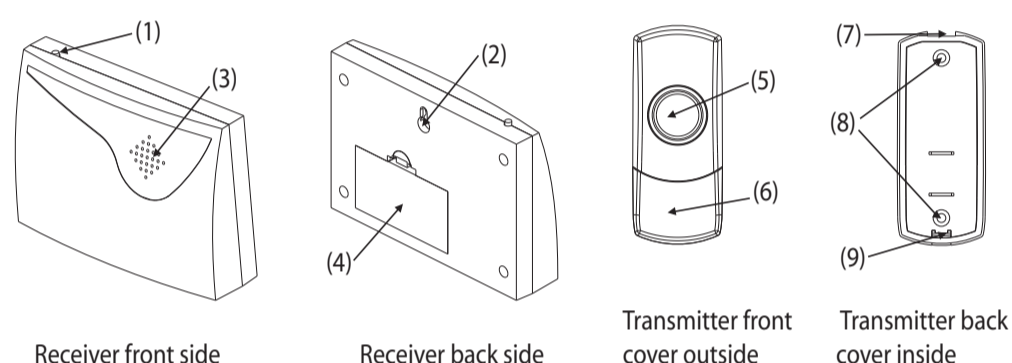
The door chime kit comes with:

- 1 x Receiver
- 2 x CR2032 Battery
- 1 x Instruction Manual
- 2 x Transmitters
- 2 x Double-sided adhesive

### Pictures for Accessories:



### Names for Parts



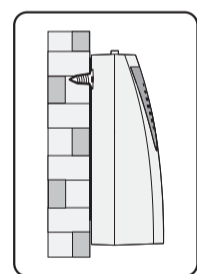
1

### Receiver Unit

Fix a screw on the wall. Then hang the Receiver by the hole at the back of the unit. Avoid positioning on UPVC Frames, above heat sources (e.g. radiator) or in damp areas such as a kitchen or bathroom.

Important: Test the Receiver before drilling any holes to ensure it is within operating range.

Note: As an alternative, the Receiver can also be placed on the flat surface, such as table.



### Functions Instruction

#### Door Chime Operation

Press the push button on the Transmitter unit once, it sends a wireless signal to the Receiver which will sound. The sound will stop as soon as the melody ends. For repeat sound, press the button again. Hold the button in will NOT repeat the sound.

#### Different Melodies for the Two Transmitters

There are two built-in melodies with the Receiver. The Receiver will sound with different melodies to response to different signals sent from the two Transmitters. As a reminder, you can not select the two built-in melodies.

### Important

1. Receiver is designed for indoor use only.
2. Do not mount the Transmitter onto any metal surface or UPVC doorframes, as this will reduce the operation range.
3. Do not expose either unit directly to rain or immerse in water.
4. Do not mount either unit close to fireplace or expose to high temperature.
5. If leaving the chime for long periods, remove the battery from compartment to prevent leakage.
6. Dispose of old batteries in accordance with the relevant legislation.

### User Hints

If the Receiver does not sound, please check the following:

1. Flat batteries in either Transmitter or Receivers-change the batteries.
2. Wrong battery polarity in either Transmitter or Receivers-reinsert the batteries.
3. Units are out of range-Operate the Receiver within the operation range.

4

- (1) Melody Selector
- (2) Hanging Hole
- (3) Speaker
- (4) Battery Cover
- (5) Push Button
- (6) Decoration only
- (7) Front cover and back cover hook
- (8) Standby holes for screws
- (9) Interface

### Notes before Installation

1. Before installation and operation, you will require a drill, a cross-headed screwdriver, a flat head screwdriver, 2xAA 1.5V size batteries, fixing screws and wall plugs. All of these are not supplied with this kit.
2. Avoid the Transmitter positioning on Metal Frames.
3. Avoid positioning above heat sources such as radiators, or in damp areas such as a kitchen or bathroom.

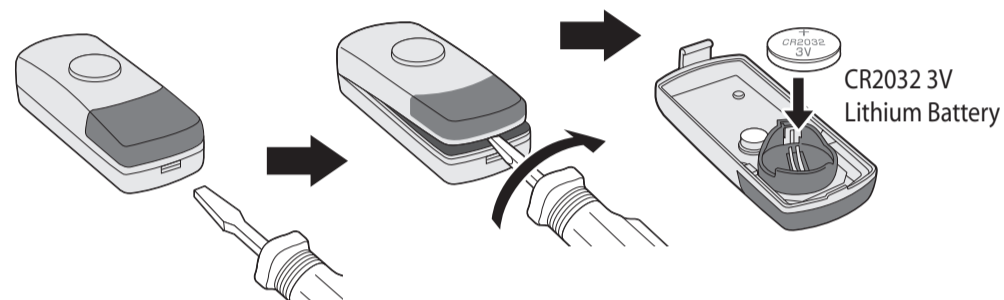
### How to use the door chime kit?

Pressing the Transmitter, a wireless signal will be sent to the Receiver. The Receiver will be activated and sound. The operating range is 100m (in the open air) and you can use the Receiver virtually anywhere at home (only indoor use). However, the transmission range will be reduced if the signal is transmitted through a number of walls or ceilings and Metal or UPVC doorframes can also reduce the operating range.

### Battery Installation

#### Transmitter Unit

Transmitter uses a 3V CR2032 battery (included). Open the Transmitter (by pushing in the interface located at the bottom with a flat screw driver) and place the battery. Please be well noted with the correct battery polarity. To replace a new battery, operate in the same way.



2

#### Receiver Unit

Remove the battery cover and insert 2xAA 1.5V batteries (not included); Ensure battery polarity matches the internal markings.

### Specification

- Battery Voltage: Receiver: DC3V(AA1.5Vx2)
- transmitter: DC3V( CR2032)
- Current for receiver: quiescent current < 200UA, working current < 150MA
- can use about nine month when sounds about ten times everyday
- Current for transmitter: quiescent current < 5UA; Working current: < 15MA
- If press ten times a day it can use about one year
- Frequency: 433.92MHz
- Receiver Sensitivity: < -110dbm
- transmitter power: < 10mw
- Volume grade: > 80dbA (testing within 0.5m)
- Modulation type: ASK
- transmitting distance in the open area: 150M

### What is Pre-set Code?

There is a transmitting code between Transmitter and the Receiver. During production, manufacturer has fixed the code which can not be changed by any user out of the factory. This means, the Transmitter can only work with the Receiver in the same kit.

### NOTE:

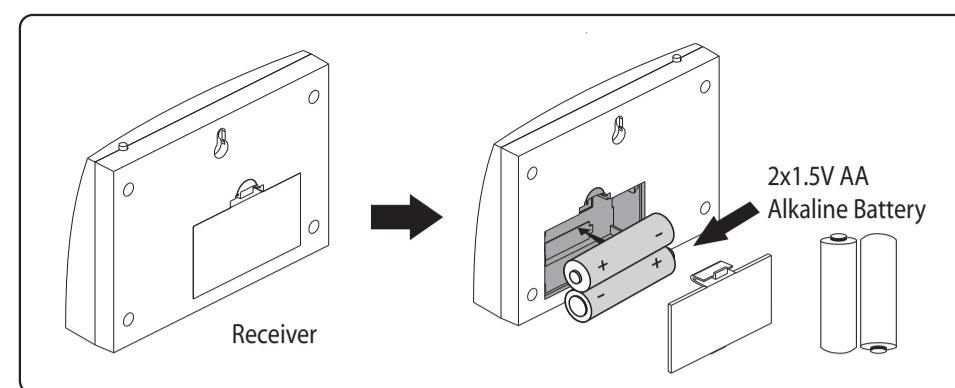
This equipment has been tested and found to comply with the limits for a Class B digital device, pursuant to Part 15 of the FCC Rules. These limits are designed to provide reasonable protection against harmful interference in a residential installation. This equipment generates, uses and can radiate radio frequency energy and, if not installed and used in accordance with the instructions, may cause harmful interference to radio communications.

However, there is no guarantee that interference will not occur in a particular installation. If this equipment does cause harmful interference to radio or television reception, which can be determined by turning the equipment off and on, the user is encouraged to try to correct the interference by one or more of the following measures:

- Reorient or relocate the receiving antenna.
- Increase the separation between the equipment and receiver.
- Connect the equipment into an outlet on a circuit different from that to which the receiver is connected.
- Consult the dealer or an experienced radio/TV technician for help.

This device complies with Part 15 of the FCC Rules. Operation is subject to the following two conditions: (1) this device may not cause harmful interference, and (2) this device must accept any interference received, including interference that may cause undesired operation.

5



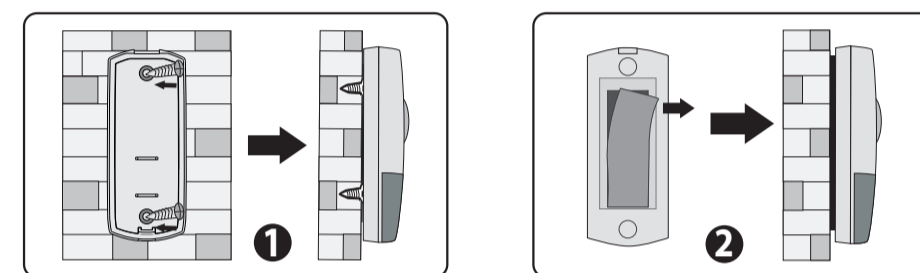
### Wall Mount

To install you will require a drill and cross-headed screwdriver. IMPORTANT: Before you drill any hole in the wall, please make sure there are not cables or pipes that you may accidentally damage.

### Transmitter Unit

1. Open the Transmitter with screw driver and separate the front cover from the back cover, as mentioned before. Penetrate the two standby holes at the back cover with two screws. Then fix the screws on the wall at suitable height. Mounting on UPVC or metal doorframe surfaces will reduce the transmitting range. (As picture 1)
2. Or you can stick the Transmitter with the double-sided adhesive tape. (As picture 2)

Note: This door chime kit is designed mainly for front door and back door use. Please mount one transmitter at the front door and one at the back door. Of course you can mount the two transmitters anywhere according to your exact need.



3

**Warning: Changes or modifications to this unit not expressly approved by the party responsible for compliance could void the user authority to operate the equipment.**

6