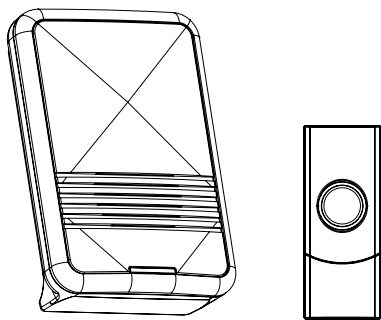


UserManual L



Wireless Digital Doorchimes

- ★ The wireless system makes installation easy and brings to effect on your interior decoration.
 - ★ The ultra-distance remote control (>80M) meets the need of various buildings.
 - ★ Fix the pushbutton on the door with screws glass glue or dual-side sponge adhesive tape. Be sure not to let it close to any metal object or expose it to rains. The battery may last for one year (20 times/day).
 - ★ Open the battery compartment lid, and insert two alkaline batteries of "AA" size (Manganese batteries can't last long and electrolyte may leak). With any low power consumption, alkaline battery may last for one year (20 times/day).
 - ★ The doorbell can be placed anywhere indoors. you can even move it as you like. It's suitable for homes, office buildings, factories, hotels and reception halls, etc. With it, you won't miss every visitor.
 - ★ Please replace the batteries when you find it can't work properly after a period of time's use.
- 1. This appliance is not intended for use by persons (including children) with reduced physical, sensory or mental capabilities, or lack of experience and knowledge, unless they have been given supervision or instruction concerning use of the appliance by a person responsible for their safety.**
- 2. Children should be supervised to ensure that they do not play with the appliance.**



Can be hung on the wall through the nail hole on the back side.

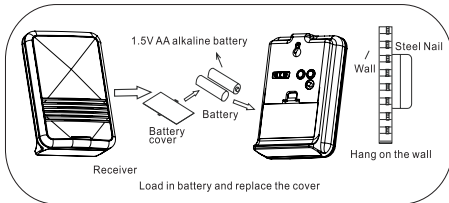
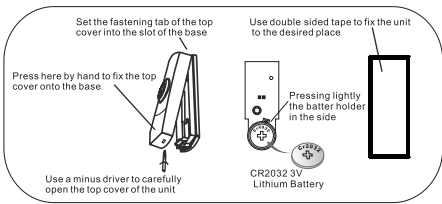
RING OPTION SWITCH: ring only, or LED flash only, or combination of ring and flash.

VOLUME SWITCH (low, medium or high)

TUNES SELECTION SWITCH

keep the code-matching button on the receiver pushed, and push the button of the transmitter at the same time. Release the code-matching button on the receiver as soon as the bell rings, and then release the button of the transmitter accordingly. In this case, the code matching of the doorbell set is finished.

2X1.5V AA battery operated



FCC NOTE

This device complies with Part 15 of the FCC Rules. Operation is subject to the following two conditions: (1) this device may not cause harmful interference, and (2) this device must accept any interference received, including interference that may cause undesired operation.

THE MANUFACTURER IS NOT RESPONSIBLE FOR ANY RADIO OR TV INTERFERENCE CAUSED BY UNAUTHORIZED MODIFICATIONS OR CHANGE TO THIS EQUIPMENT. SUCH MODIFICATIONS OR CHANGE COULD VOID AND CHANGE ANNTENA WHICH THE MANUFACTURER PROVIDES. IT IS THE USER'S AUTHORITY TO OPERATE THE EQUIPMENT.