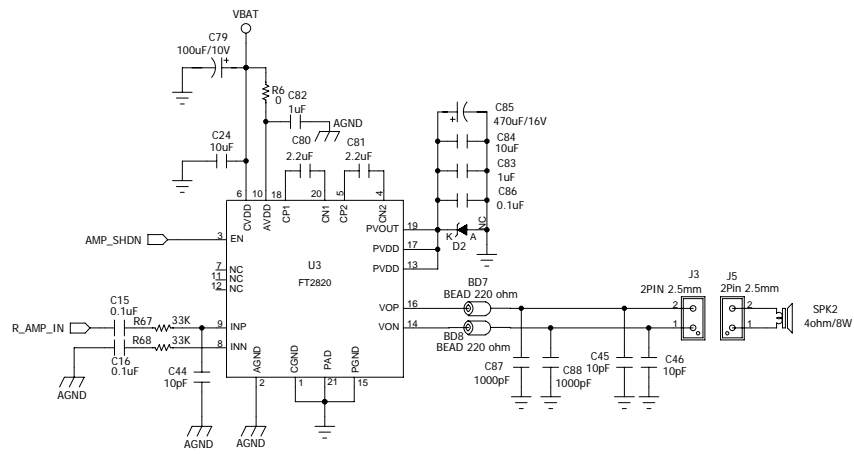
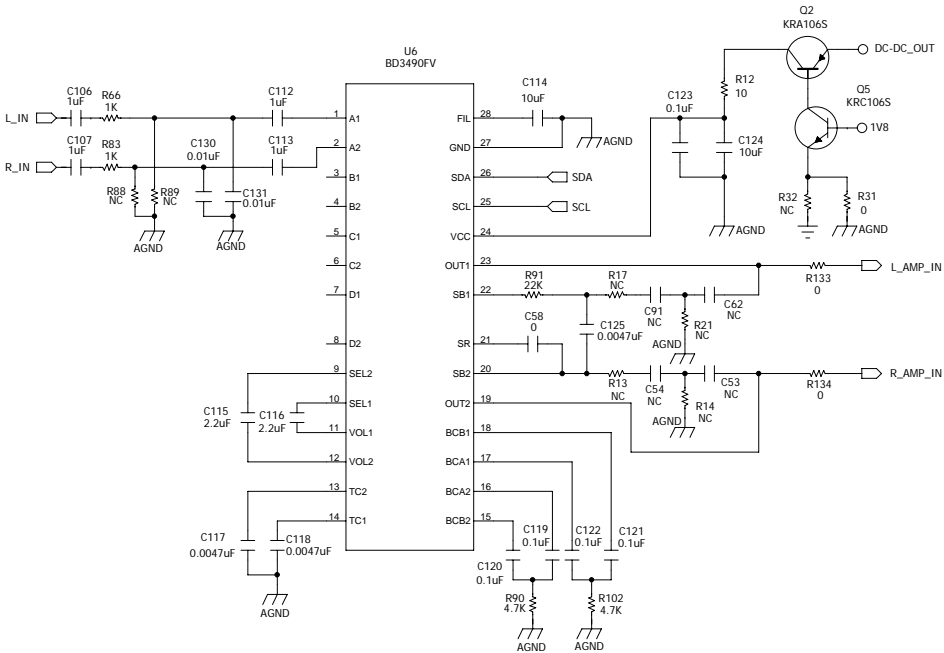
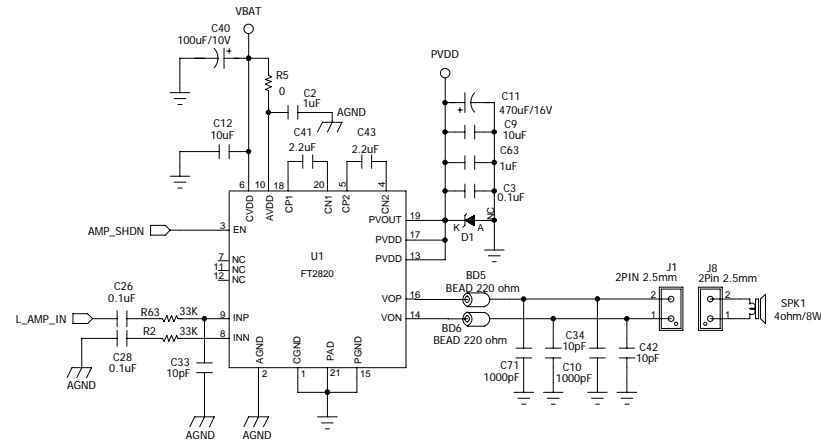
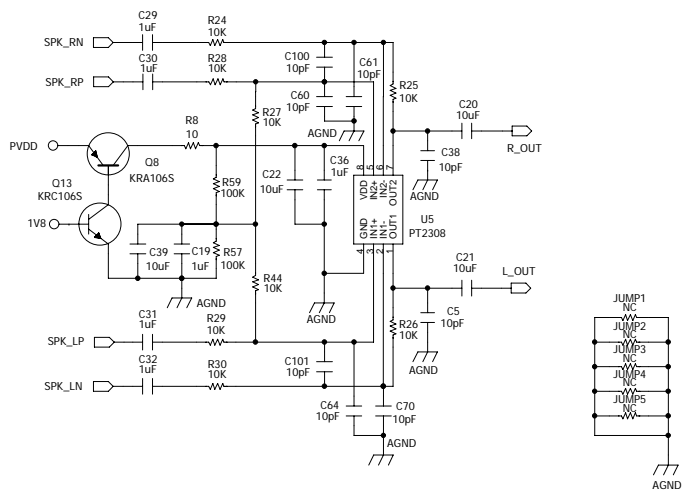
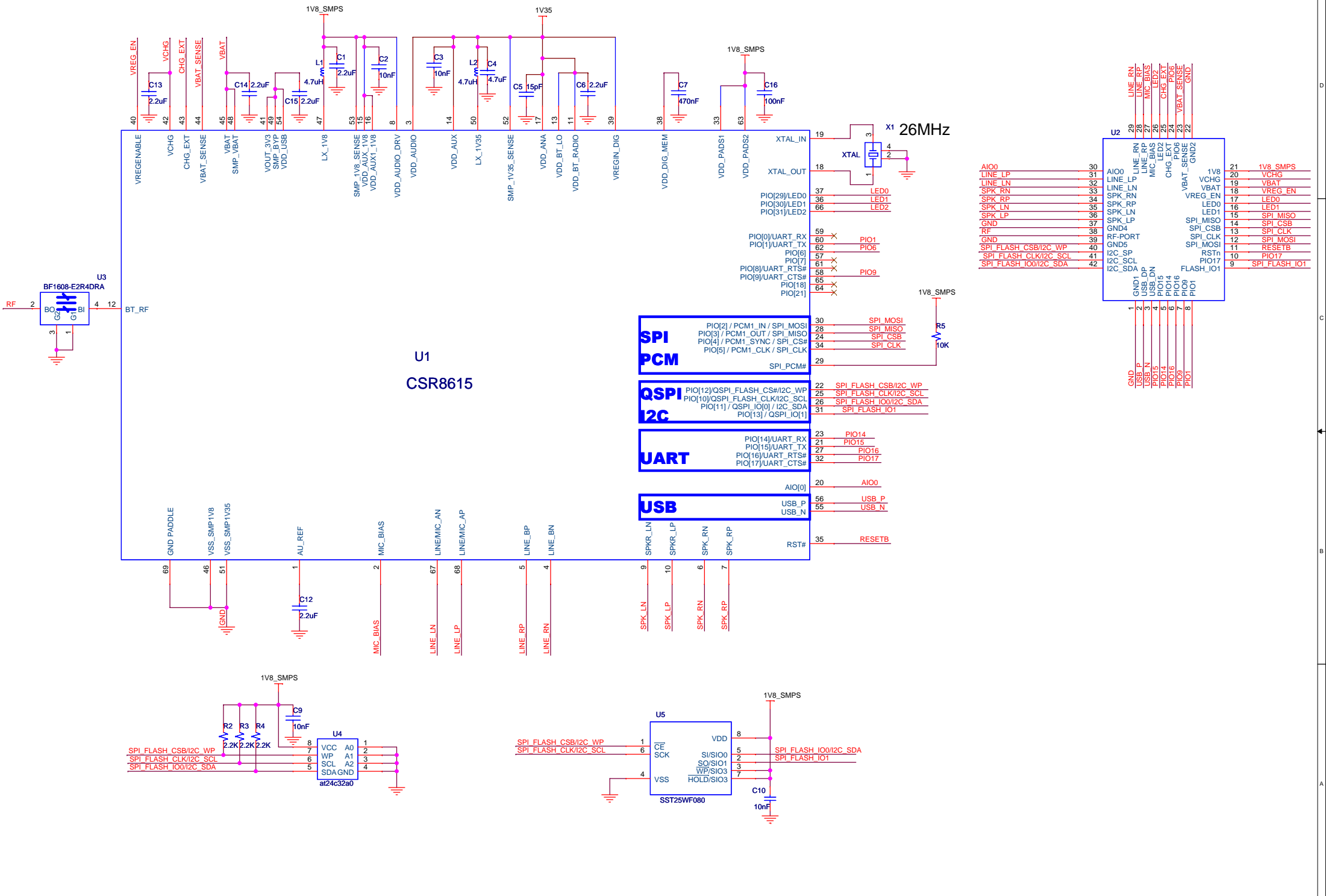


MODEL	SOLJAM		
TITLE	CIRCUIT DIAGRAM	APPR.	
REV.	A1	CHECK.	
NEO TELECOM CORP.		DATE	29 JAN 2016
		SHEET	2 OF 3





U1
CSR8615

X1 26MHz

SPI
PCM

QSPI
I2C

UART

USB

AIO0	30	1V8	21	1V8_SMPS
LINE_LP	31	VCHG	20	VCHG
LINE_LN	32	VBAT	19	VBAT
SPK_RN	33	VREG_EN	18	VREG_EN
SPK_RP	34	LED0	17	LED0
SPK_LN	35	LED1	16	LED1
SPK_LP	36	LED2	15	LED2
GND	37	SPI_MISO	14	SPI_MISO
RF	38	SPI_CS	13	SPI_CLK
GND5	39	SPI_MOSI	12	SPI_MOSI
SPI_FLASH_CSB/I2C_WP	40	RSTn	11	RESETB
SPI_FLASH_CLK/I2C_SCL	41	PIO17	9	PIO17
I2C_SP	42	FLASH_IO1		
I2C_SDA				

