

HIYATEK Hiyatek International CO., LRD.

Product Number : **HY-EB-1089-WIFI**

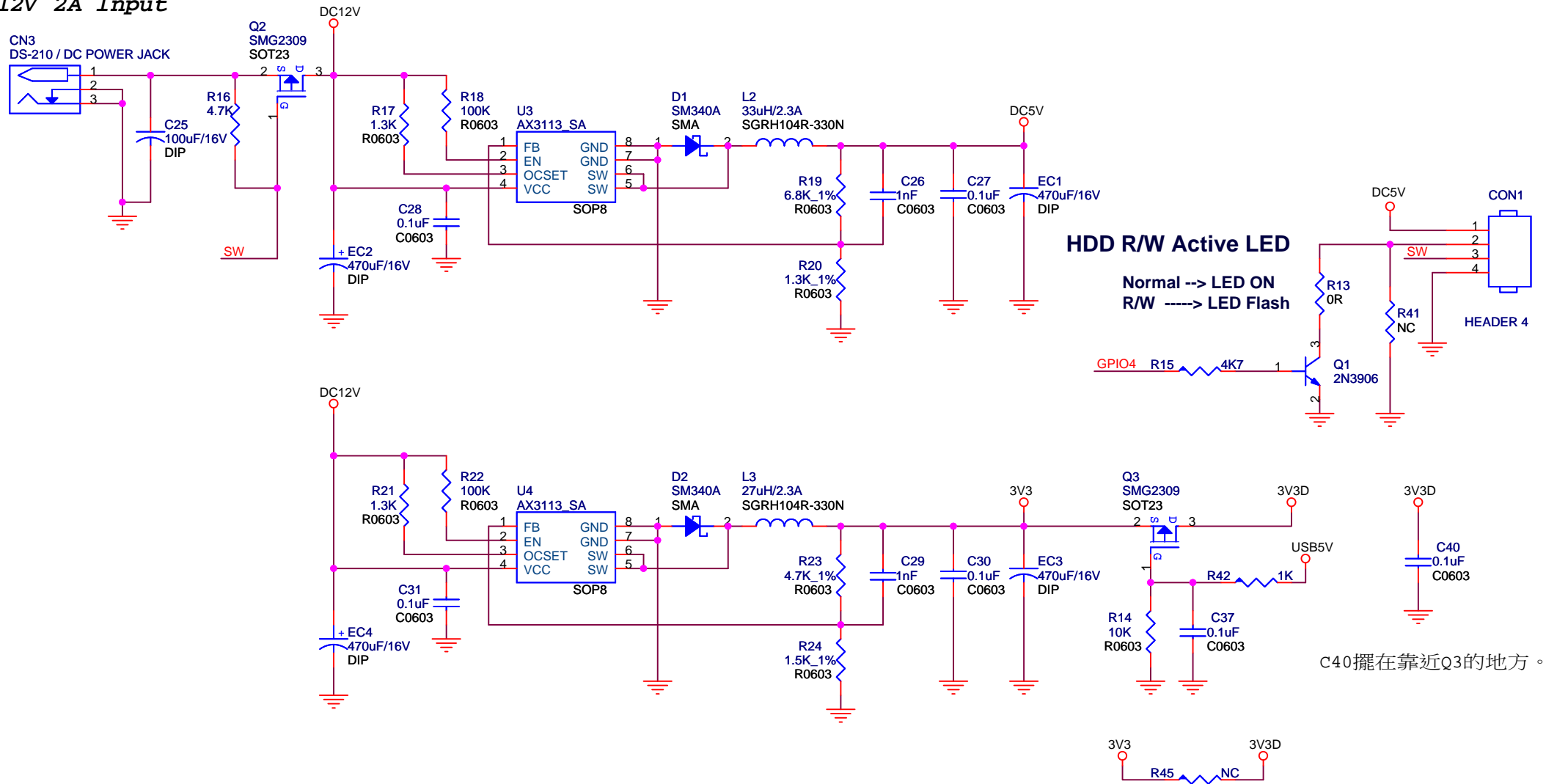
Product Function : **WiFi and USB3.0 Combo to SATA HDD Docking**

Schematic Name : **20131205_EB-1089-WIFI_V1.5_SCH.DSN**

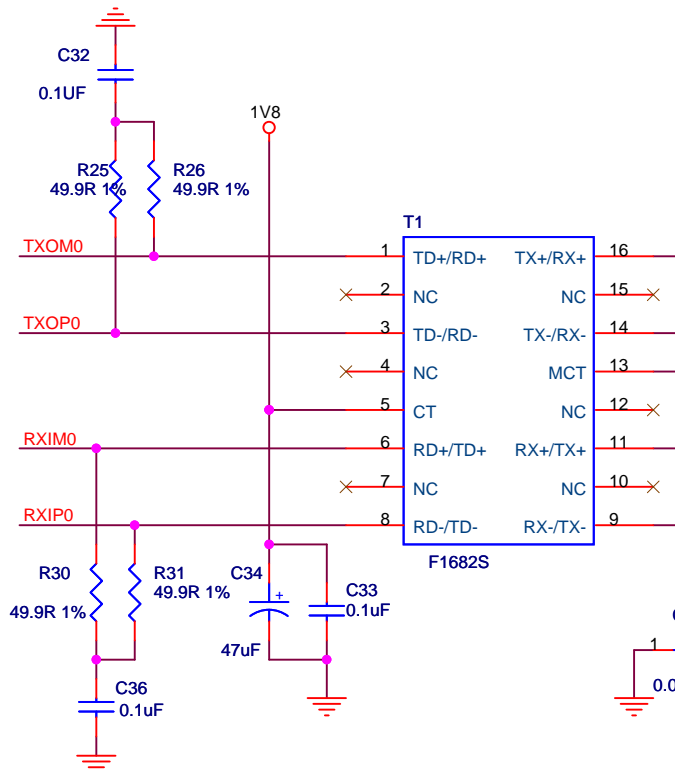
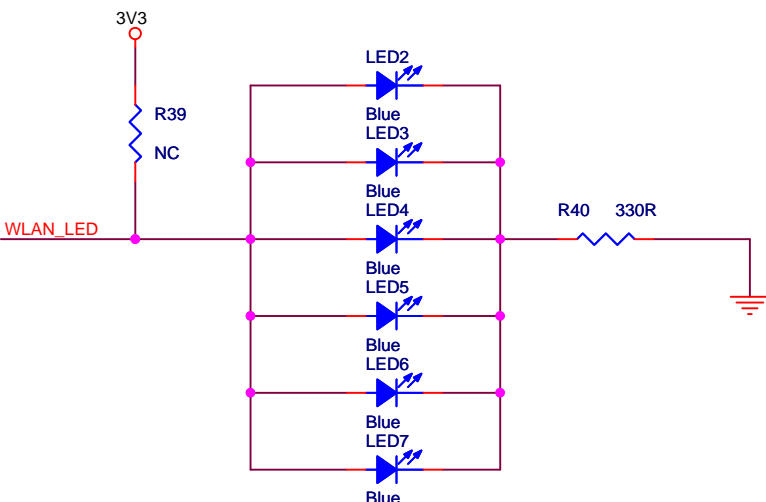
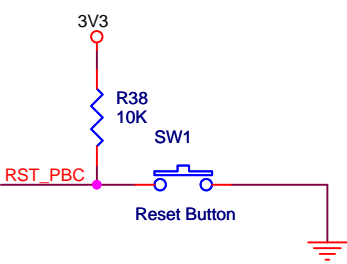
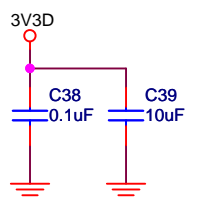
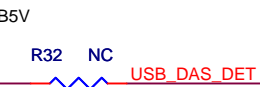
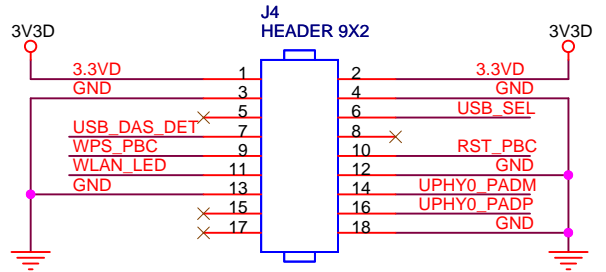
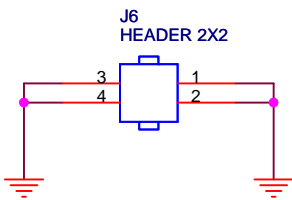
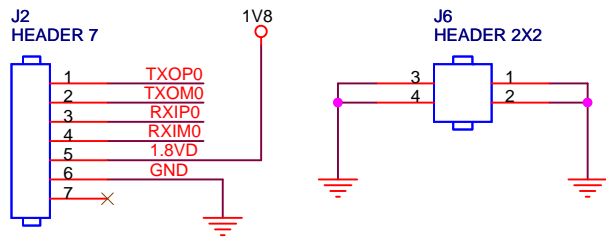
Size A4 Page Describe : **Main Chip** Rev 1.5

Date: Thursday, December 05, 2013 Sheet 1 of 5

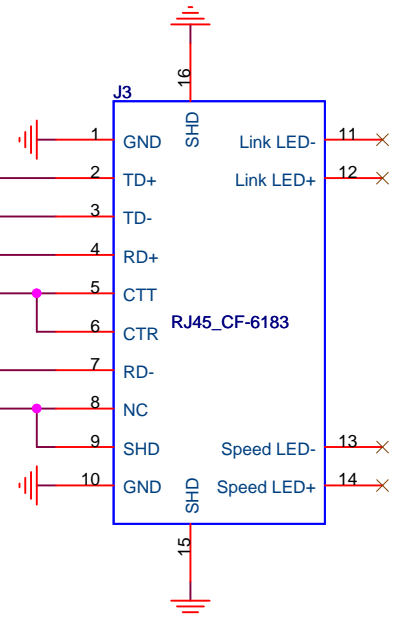
12V 2A Input



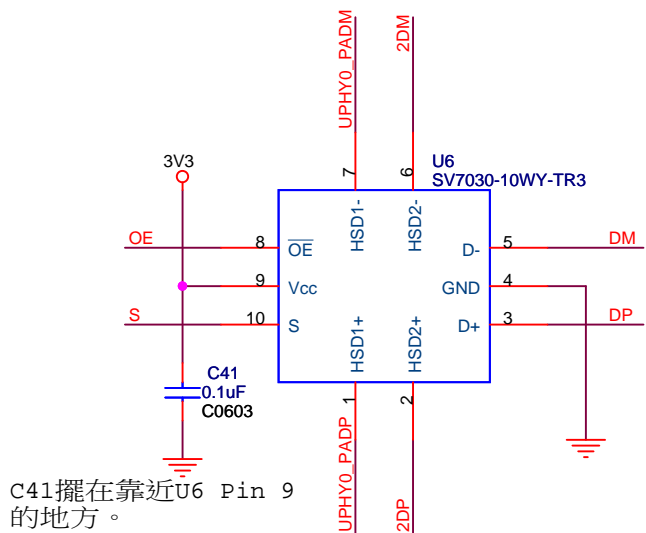
HIYATEK Hiyatek International CO., LRD.		
Product Number : HY-EB-1089-WIFI		
Product Function : WiFi and USB3.0 Combo to SATA HDD Docking		
Schematic Name : 20131205_EB-1089-WIFI_V1.5_SCH.DSN		
Size A4	Page Describe : Power	Rev 1.5
Date: Thursday, December 05, 2013	Sheet 2	of 5



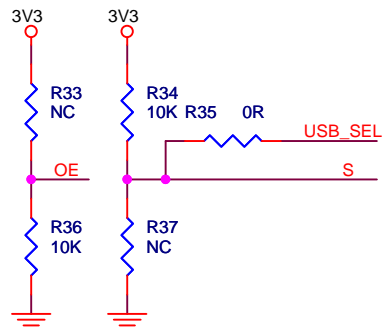
CLEARANCE AREA
DO NOT PLACE ANY OTHER
TRACES AND PLANES
UNDER THIS AREA



C38、C39要擺在靠近J4的Pin 1。



C41擺在靠近U6 Pin 9
的地方。



HIYATEK Hiyatek International CO., LRD.

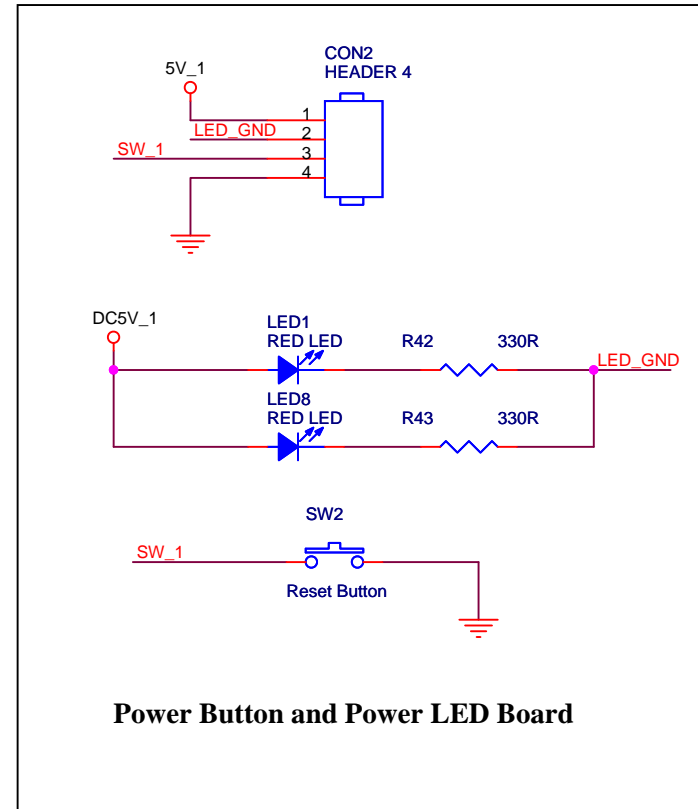
Product Number : **HY-EB-1089-WIFI**

Product Function : **WiFi and USB3.0 Combo to SATA HDD Docking**

Schematic Name : **20131205_EB-1089-WIFI_V1.5_SCH.DSN**

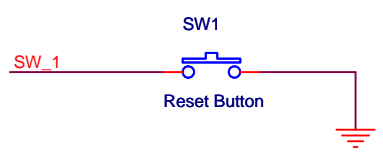
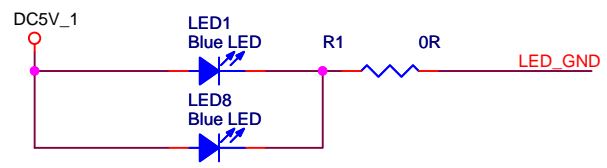
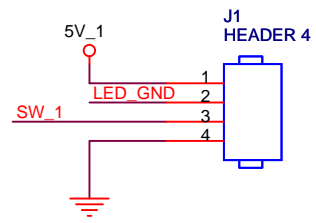
Size A4 Page Describe : **WiFi** Rev 1.5

Date: Monday, February 10, 2014 Sheet 3 of 5



Power Button and Power LED Board

HIYATEK Hiyatek International CO., LRD.		
Product Number :		
HY-EB-1089-WIFI		
Product Function :		
WiFi and USB3.0 Combo to SATA HDD Docking		
Schematic Name :		
20131205_EB-1089-WIFI_V1.5_SCH.DSN		
Size	Page Describe :	Rev
A4	Small Board	1.5
Date:	Thursday, December 05, 2013	Sheet 4 of 5



Power Button and Power LED Board