

ThermPro

Remote Food Thermometer Model No. TP806B

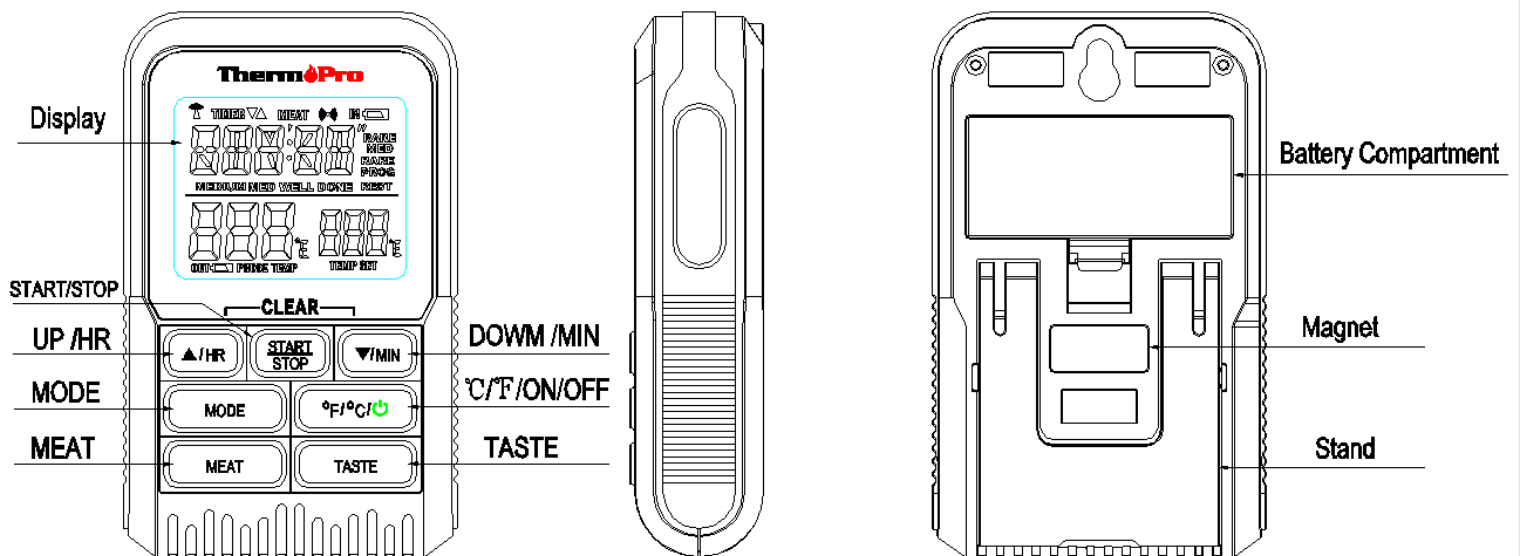
Introduction

Congratulations on your purchase of the Professional Remote Cooking Thermometer, a programmable radio frequency food thermometer. You will now be able to remotely monitor the time and temperature of food cooking on your grill, smoker or oven.

Components

- 1 - receiver unit
- 1 - transmitter unit
- 1 - detachable stainless steel probe sensor
- 2 - 2*AAA batteries.

Receiver Features



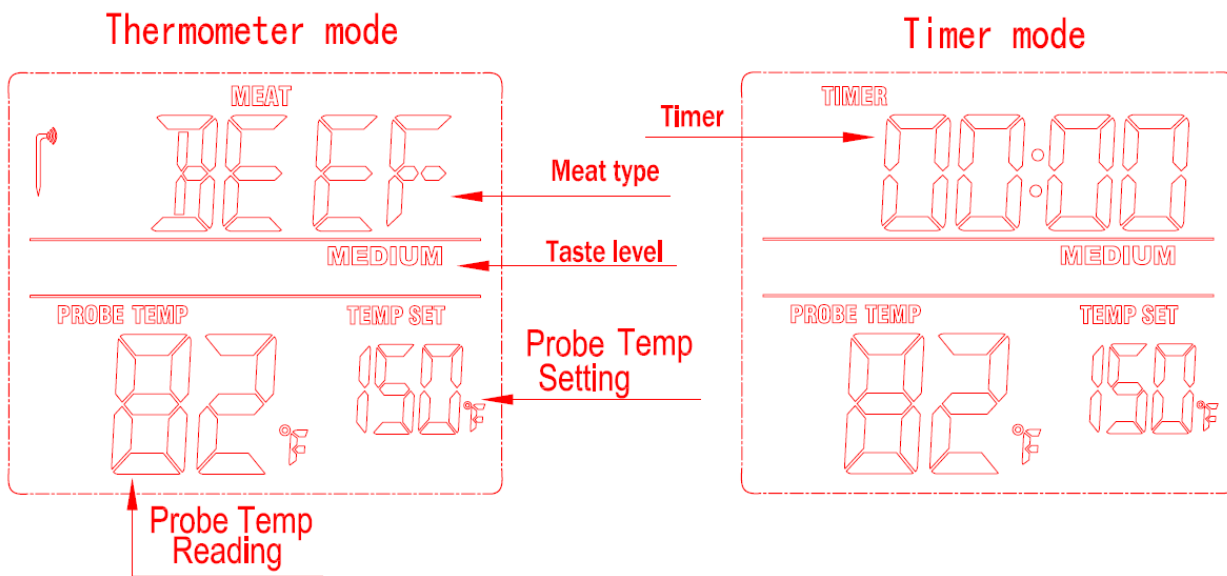
- LCD (Liquid Crystal Display) with backlight – Displays all icons, temperature and timer. The backlight will flash Blue once the temperature increases by 10 °F from when cooking starts, then it will change to Yellow when the temperature is within 15 °F of the set temperature and then it will turn Red when it reaches the set temperature. See LCD diagram for detailed information.
- Programmable alert with preset temperatures for specific foods.
- 23-hour, 59-minute countdown timer and count up timer
- Temperature range of probe: 15.8°F to 572°F (-9°C to 300°C).
- Temperature tolerance of internal food reading: +/-1.8°F (+/-1.0°C).
- Power source – 2 AAA batteries.

Buttons

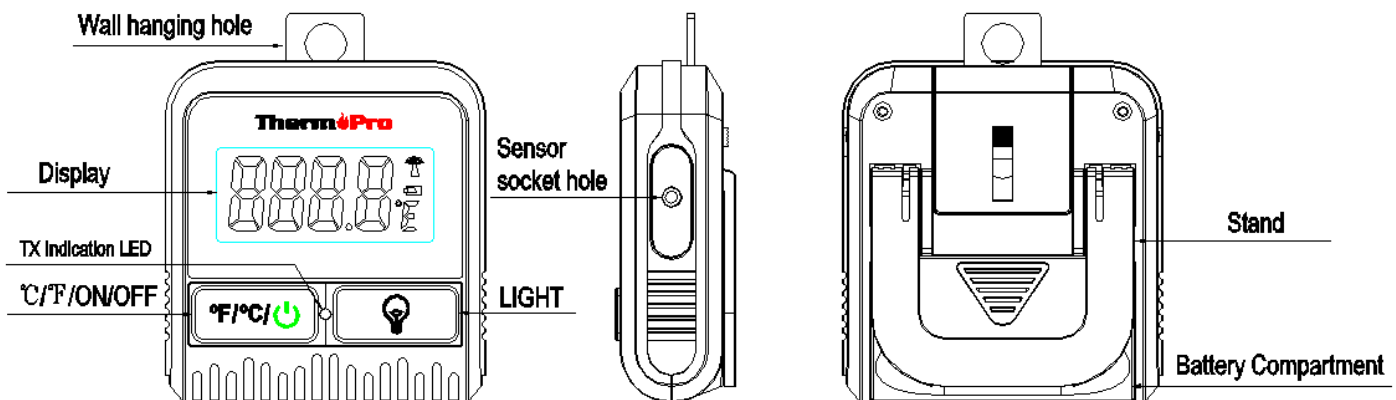
1. MODE – Press to select thermometer or timer mode. Press and hold for 2 seconds to enter Synchronization/Pairing mode.

2. ▲HR – In timer mode, press once to set hour. Press and hold for 2 seconds, the hours will increase by 10 hours per second. In thermometer mode, press once to increase the temperature value. Press and hold for 2 seconds, the temperature value will increase by 10 degrees per second.
3. ON/OFF/°F/°C –press once to select temperature readings in Celsius or Fahrenheit. Press and hold for 2 seconds to turn ON/OFF the receiver.
4. ▼MIN – In timer mode, press once to set minutes. Press and hold for 2 seconds, the minutes will increase by 10 minutes per second. In thermometer mode, press once to decrease the temperature value. Press and hold for 2 seconds, the temperature value will decrease by 10 degrees per second.
5. MEAT – In thermometer mode, press to select meat type, PROG (program), GBEEF (ground beef), GPOUL (ground poultry), BEEF, VEAL, CHCKE (chicken), PORK, POULT (poultry), LAMB & FISH. In Timer mode, press to switch between hour/minute timer to a minute/second timer and back.
6. START/STOP– In timer mode, press to start or stop the timer.
7. TASTE – In thermometer mode, press to select the meat taste level, RARE, MED RARE, MEDIUM, MED WELL and WELL DONE.

LCD



Transmitter Features



- LCD (Liquid Crystal Display)
- Wire Stand – Allows you to stand the transmitter on tabletop or it can be reversed and used as a hanger.

- Power source – 2 AAA batteries.
- Sensor Socket Hole: plug in for stainless steel probe sensor

Buttons

ON-OFF/°F/°C /– Press and hold for 2 seconds to turn on or off the transmitter. Press once to select the transmitter temperature display in °C or °F.

LIGHT– 点按打开背光，再次点按关闭背光；点按打开背光后，无按键操作，点亮10S后关闭背光。

Installing Batteries

Open the battery compartment of the receiver and insert two “AAA” batteries with correct polarity. Open the battery compartment of the transmitter and insert two “AAA” batteries with correct polarity.

Turn On/Off Unit

Press **and hold ON/OFF/°F/°C button on the receiver for 2 seconds to turn on/off the receiver.**

Press **ON-OFF/°F/°C / button on the transmitter for 2 seconds** to turn on/off the transmitter.

Synchronize/Pair Transmitter and Receiver

The transmitter and receiver were already paired at our manufacturing facility. Usually you do NOT need to re-synchronize or re-pair the units. You just plug in the probes, insert batteries, turn on the receiver and the transmitter and wait for a few seconds, you will see the temperatures shown on both receiver and transmitter and the units are ready for use.

However, in some unusual cases, the transmitter and receiver are no longer paired, then you may need to re-synchronize them by following the below steps:

- Insert the stainless steel probes into the corresponding plugs in the transmitter.
- Turn on the transmitter by **pressing and holding the ON/OFF/°F/°C button for 2 seconds.** The transmitter will show the current temperatures on its LCD display.
- Turn on the receiver **by pressing and holding the ON/OFF/°F/°C button for 2 seconds.**
- Press and hold Mode button on receiver for 2~3 seconds to enter the synchronization mode which will last for 60 seconds. The display shows “---” and it is flashing.
- Wait for a moment until the temperature reading shows on the receiver display, it means the synchronization/Pairing is complete. Your professional remote cooking thermometer is now ready for use.

Note: The synchronization between the transmitter and the receiver won't be lost even if you replace the batteries.

Auto Off Feature

The receiver will turn off automatically if it has not received the temperature signal from the transmitter for more than 30 minutes, a beep will sound for one minute before it shuts down. However, the Auto Off feature will be automatically disabled if the timer is running.

Measure meat temperature to USDA doneness temperature range

- Press MODE to select thermometer mode. The upper display will show a small MEAT and a meat type such as BEEF.
- Press MEAT to select meat type. PROG (program), GBEEF (ground beef), GPOUL (ground poultry), BEEF, VEAL, CHCKE (chicken), PORK, POULT (poultry), LAMB & FISH.
- Press TASTE to select the level of doneness for the meat type selected. RARE, MED RARE, MEDIUM, MED WELL and WELL DONE.

Note: The temperature displayed to the right of the actual meat temperature PROBE TEMP will show the preset temperature TEMP SET according to USDA doneness levels. Example: Beef will be Well Done at 165 °F.

- Once the temperature of meat reaches the preset doneness level, the receiver will beep and the LCD backlight will turn red.

Measure meat temperature set to your specific taste

- Press MODE to select thermometer mode. The upper display will show a small MEAT and a meat type such as BEEF.
- Press HR or MIN to raise or lower the set temperature. As you press HR or Min the display changes to PROG (program). Press and holding the button will raise or lower the temperature setting rapidly. Pressing MEAT will return you to the preset USDA ranges.

3. Once the temperature of meat reaches the preset doneness level, the receiver will beep and the LCD backlight will turn red.

Procedure for typical use on an outdoor grill

The following typical example will go through the steps to have the Professional Remote Cooking Thermometer alert you to when a beef steak is cooked to medium (USDA doneness level) and remind you to rotate hot dogs in 5 minutes.

1. Turn on the grill.
2. Follow the synchronization/pairing procedure.
3. Place steak and hot dogs on grill rack.
4. Insert probe sensor into the center of thickest portion of the steak. Avoid touching bone or heavy fat areas. Assume the meat temperature is 45 °F.
5. Position the probe sensor wire so they will not come into contact with flames and exit the grill surface area without being pinched/crushed by the grill cover.
6. Stand the transmitter away from heat source of grill. DO NOT put transmitter on the closed cover or under the cover. The transmitter is not waterproof. DO NOT use in the rain.
7. Press MEAT so BEEF is displayed.
8. Press TASTE so MEDIUM is displayed and 150 °F will be shown as the TEMP SET.
9. Press MODE to change to timer mode.
10. Press MIN 5 times to set for 5 minutes so that 0:05 is displayed. Press START/STOP to start the countdown. Press MODE to go back to thermometer mode.
11. You may take the receiver up to 300 ft away from the outdoor grill. Go indoors if desired.
12. When 5 minutes are up the receiver will beep for 60 seconds.
13. When the temperature of probe in the steak reaches 55 °F the LCD backlight will flash blue.
14. When the temperature of probe in the steak reaches 135 °F the LCD backlight will flash **Yellow**.
15. When the temperature of probe in the steak reaches 150 °F MEDIUM the receiver will beep and the LCD backlight will flash red.
16. Press STOP to turn off the alert.
17. Turn off grill. Remove the probe sensor from steak. Always wear a heat resistant glove to touch the stainless steel probe sensor or wire during or just after cooking. Do not touch with bare hands.
18. Clean the stainless steel probe and dry thoroughly after each and every use.
19. Turn off the transmitter and receiver.

HELPFUL HINTS

If the receiver and/or the transmitter display LLL or HHH instead of the probe temperature, wait for probe to reach room temperature. If LLL or HHH is still displayed, it is likely the internal probe wire has shorted out either through moisture or heat damage.

Using the Timer

Count down

1. Press MODE to select timer mode. The upper display will show a small TIMER and 0:00.
2. Press HR and MIN button to set the timer. Press START/STOP button to start countdown. “▼” will blink for every second.
3. To stop the countdown process, press START/STOP button. The “▼” becomes solid.
4. Press HR & MIN buttons together to clear the setting back to 0:00.

Note: The minimum setting for the timer is 1 minute. When the timer counts down below 1 hour 1:00, the display will change to 59'59" to indicate, 59 minutes 59 seconds. The seconds will be shown counting down then. When the countdown reaches 0'00" the timer starts counting up and it will beep for 60 seconds. The timer and “▼▲” will blink. Press the START/STOP button to stop the beeping. When the count up reaches 23:59:59 (59 seconds are not displayed) the display will turn to 0:00, the unit beeps and “▼▲” will blink for 60 seconds.

Count up

1. Press MODE to select timer mode. The upper display will show a small TIMER and 0:00.
2. Press START/STOP button to start count up. The “▲” will blink for every second.
3. To stop the count up process, press START/STOP button. The “▲” becomes solid.
4. Press CLEAR button to clear the setting back to 0:00.

HELPFUL HINTS

Do not immerse the probe in water while cleaning.

Do not allow the probe or probe wire to come into contact with flames. If cooking with grill cover closed, only use medium or low heat.

If the probe becomes defective within the 90 days warranty period, please return defective probe to address below along with return address and we will send you new probe no charge.

If the temperature displayed seems to be reading too high or the temperature seems to increase too quickly, check to make sure the probe tip is not poking through the food. Reposition the probe tip into the center of the thickest part of food. Avoid touching bone or heavy fat areas.

Caution:

Always wear a heat resistant glove to touch the stainless steel probe sensor or wire during or just after cooking. Do not touch with bare hands.

Keep the stainless steel probe sensor and wire away from children.

Not Intended for Use by Persons aged 12 and Under

Clean the stainless steel probe and dry thoroughly after each and every use.

Do not immerse the probe or wire in water. Clean using a damp, soapy cloth.

Do not use the receiver or transmitter in the rain. They are not waterproof.

Do not expose the plug of the stainless steel probe or the plug in hole of the transmitter to water or any liquid. This will result in a bad connection and faulty readings.

Do not expose the receiver or transmitter to direct heat or surface.

Do not use stainless steel probe in microwave oven.

Cleaning

Always wear heat resistant glove to touch the stainless steel probe sensor or wire during or just after cooking. Do not touch with bare hands.

Keep the stainless steel probe sensor and wire away from children.

Wash the metal probe tip with hot soapy water and dry thoroughly. Do not immerse the probe in water while cleaning.

Wipe the transmitter and receiver with damp cloth. Do not immerse either in water.

FCC Statement

1. This device complies with Part 15 of the FCC Rules. Operation is subject to the following two conditions:

(1) This device may not cause harmful interference,

(2) This device must accept any interference received, including interference that may cause undesired operation.

2. Changes or modifications not expressly approved by the party responsible for compliance could void the user's authority to operate the equipment.

LIMITED ONE-YEAR WARRANTY

ThermoPro warrants this product to be free of defects in parts, materials and workmanship for a period of one year, from date of purchase.

Should any repairs or servicing under this warranty be required, contact Customer Service by phone or email for instructions on how to pack and ship the product to ThermoPro.

This warranty gives you specific legal rights and you may also have other rights which vary from state to state.

CUSTOMER SERVICE

Telephone: 1-877-515-7797 (USA & CANADA only)

Email: service@buythermopro.com

Hours: Weekdays 9:00 AM- 6:00 PM EST

FCC Caution:

Note: This equipment has been tested and found to comply with the limits for a Class B digital device, pursuant to part 15 of the FCC Rules. These limits are designed to provide reasonable protection against harmful interference in a residential installation. This equipment generates uses and can radiate radio frequency energy and, if not installed and used in accordance with the instructions, may cause harmful interference to radio communications. However, there is no guarantee that interference will not occur in a particular installation. If this equipment does cause harmful interference to radio or television reception, which can be determined by turning the equipment off and on, the user is encouraged to try to correct the interference by one or more of the following measures:

- Reorient or relocate the receiving antenna.
- Increase the separation between the equipment and receiver.
- Connect the equipment into an outlet on a circuit different from that to which the receiver is connected.
- Consult the dealer or an experienced radio/TV technician for help.