

ThermoPro

Remote Food Thermometer with double Probes

Model No. TP28

Cook Like A Pro Every Time!

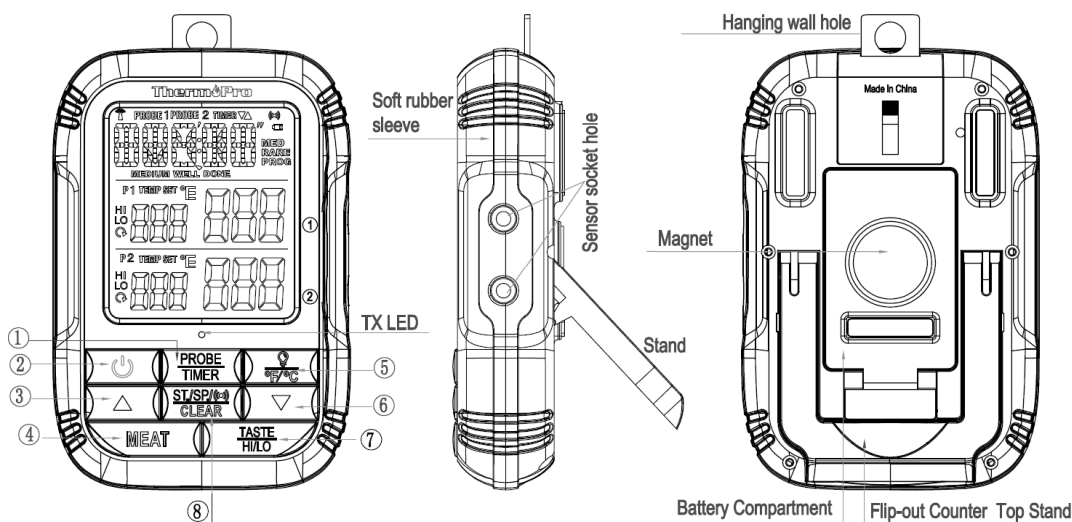
Introduction

Congratulations on your purchase of the Professional Remote Food Thermometer, a programmable radio frequency food thermometer. You will now be able to remotely monitor the temperature of cooking food and the temperature inside your grill, oven or smoker from anywhere in your home.

Components

1. One receiver unit.
2. One transmitter unit.
3. Double detachable stainless steel probes with steel mesh cable.
4. Four AAA batteries.

Transmitter Features



1. LCD (Liquid Crystal Display) – Displays all icons, temperature
2. Low battery Indicator
4. Remote range: 495FT
5. IPX4 Waterproof
6. Backlight
7. Temperature Alarm
8. Double probes
9. Temperature range of probe: 14°F to 572°F (-10°C to 300°C)
10. Tabletop, magnet and wall-mounted design
11. Battery: 2*AAA batteries, 3.0V

Buttons

1. PROBE/TIMER : Press to switch between PROBE1 and PROBE2 modes, press and hold in any mode for 3 seconds to enter TIMER. Press again to return to MEAT mode.
2. ON/OFF : Press once to ON/OFF the unit, press and hold for 3 seconds, synchronously set the current probe set

temperature and menu selection, for example, the top line of the LCD displays PROBE1 BEEF MEDIUM, press and hold the ON / OFF key for 3 seconds, PROBE 2 set temperature, MEAT selects the same setting as PEOBE1.

3、▲ : In temperature mode, increase the temperature, press and hold to enter the quick adjustment. In countdown mode, tap to increase the time.

4、MEAT : Press to select the menu。

5、LIGHT/F°/C° : Press the ON/OFF the backlight, press and hold for 3 seconds to switch the temperature unit.

6、▼ :Adjust the temperature down in temperature mode, press and hold to enter the quick adjustment. Countdown mode, click to adjust time。

7、TASTE/HI/LO : Tap to select RARE; MED RARE; MEDIUM; MED WELL; WELL DONE.

MEAT selects the BBQ state, click to switch between HI, LO, and three modes.

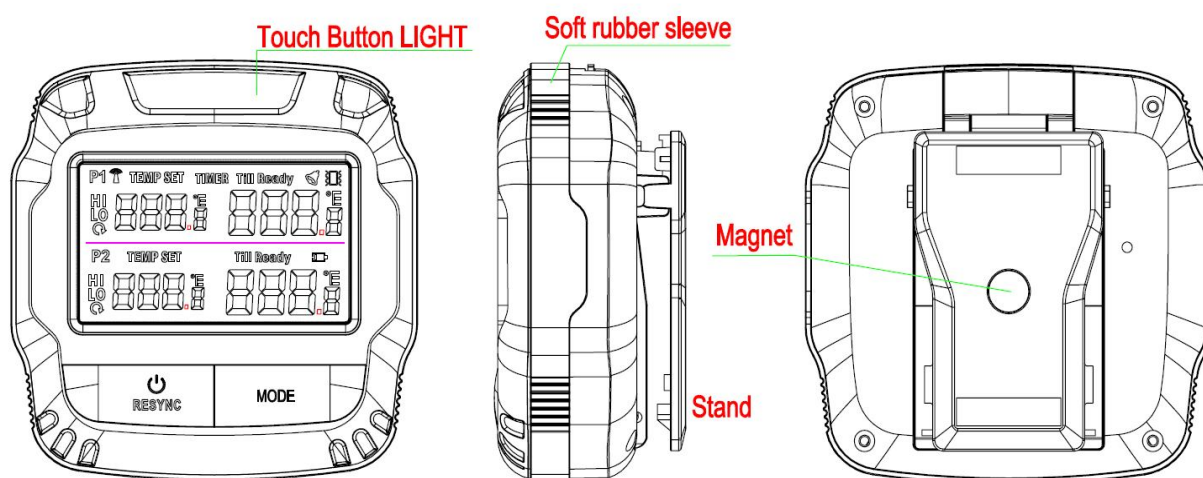
8、ST./SP./ALARM/CLEAR : 8. In the TIMER mode, click to start or stop timing. When the time is stopped, press and hold the START / STOP / CLEAR key for 3 seconds to clear it. Click in the temperature mode to turn off the temperature alarm function.

About quickly setting the target temperature

If you need to synchronize the target temperature of the other probes with the current probe settings, press and hold the “ON / OFF” button for 3 seconds.

For example, when the current probe 1 selects BEEF MEDIUM 160F, press and hold the ON / OFF button for 3 seconds, the target temperature of PROBE 2 will display BEEF MEDIUM 160F synchronously

Receiver Features



1.LCD (Liquid Crystal Display) – Displays all icons, temperature

2. Low battery Indicator

3. Remote range: 500FT

4. IPX4 Waterproof

5. Touch Backlight

6、Alarm mode: sound alarm, vibration alarm, sound and vibration alarm at the same time, turn off the alarm.

7、Hold MODE Button for 3 seconds, Display "Till Ready" temperature,

Buttons

1. ON/OFF/RESYNC: Tap to turn on/off the receiver; Press and hold for 3 seconds to enter the Synchronize/Pair process.

2. MODE– By default, the sound alarm mode is turned on. Click mode to switch the vibration mode, click again to turn on the sound and vibration mode, and press again to turn off the alarm mode;Hold for 3 seconds, Display "Till

Ready" temperature

3. LIGHT: Touch to turn on/off the backlight. Backlight will auto-off after 15 seconds of inactivity.

About Till Ready temperature function

- 1、 Hold MODE Button for 3 seconds, Display "Till Ready" temperature,
- 2、 For example, set temperature 150F, current actual temperature 80F, Till Ready temperature displays 70F,

Installing batteries

Open the battery compartment of the receiver and insert two "AAA" batteries with correct polarity. Open the battery compartment of the transmitter and insert two "AAA" batteries with correct polarity.

Turn On/Off Unit

Press ON/OFF/RESYNC button on the receiver to turn on/off the receiver;

Press ON/OFF/RESYNC button on the transmitter to turn on/off the transmitter.

Auto Off Feature

The receiver will turn off automatically if it hasn't received the temperature signal from the transmitter for more than 30 minutes, a beep will sound for one minute before it shuts down.

The transmitter will automatically shut down if the temperature of the 2 probes stays below 40 °C for 2 hours.

Measure meat temperature to USDA doneness temperature range

1. You can use two probes (Probe 1 and Probe 2) to measure and monitor temperatures of two pieces of meat or two sections of the same large piece of meat at the same time.
2. Press MODE to select Thermometer Mode, Probe 1 or Probe 2, represented by a small icon (PROBE 1 or PROBE 2) on the upper display.
3. Press MEAT to select meat type: PROG (Program - User self-defined), BEEF, VEAL, CHCKE (Chicken),PORK,POULT (Poultry),LAMB & FISH.HAM,GBEEF (Ground Beef), GPOUL (Ground Poultry),
4. Press TASTE to select the level of doneness for the meat type selected: RARE, MED RARE, MEDIUM, MEDIUM WELL and WELL DONE.

Note: The temperature displayed to the left of the actual meat temperature will show the preset temperature TEMP SET according to USDA doneness levels. Example: Beef will be Well Done at 165 F.


5. Once the temperature of meat (Probe 1 or Probe 2) reaches the preset doneness level, the transmitter and receiver will alert you, Press any button to stop the beep.

Measure meat temperature set to your specific taste

1. Press MODE to select Thermometer Mode, Probe 1 or Probe 2.
2. Press ▲ or ▼ to raise or lower the set temperature. As you press ▲ or ▼ the display changes to PROG (program). Press and holding the button will raise or lower the temperature setting rapidly. Pressing MEAT will return you to the preset USDA ranges.
3. Once the temperature of meat reaches the preset doneness level, the receiver will beep and the LCD backlight will be turned on.Press any button to stop the beep.

How to Monitor BBQ/Oven Temperature

1. You can use probe 2 to measure and monitor the temperature inside the BBQ, smoker or barbecue.
Clip the probe you selected to grill rack of BBQ or barbecue chamber
2. Press MODE to select Probe 2 as you selected.

3. Press MEAT repeatedly until the display shows BBQ
4. Press ▲ or ▼ to set your desired temperature of HI BBQ, Press and hold the ▲ or ▼ button to adjustment faster. The HI BBQ temperature range is 140 °F – 572 °F and the default setting is 250 °F.
5. Press the TASTE button to switch the LO temperature setting. Press ▲ or ▼ to set your desired temperature of LO BBQ, Press and hold the ▲ or ▼ button to adjustment faster. The LO BBQ temperature range is 32 °F – 554 °F and the default setting is 225 °F.
6. Press the **S./S.**  /**CLEAR** button to turn on/off the alarm function.
7. Press the **TASTE** button to toggle the display of High or Low temperature setting.
 (**Note:** the HI BBQ will not allow you to set the temperature below the LO BBQ temperature. LO BBQ temperature is always lower than the HI BBQ temperature 2°F)
Note: The LO BBQ temperature alarm will not be activated until the actual BBQ temperature goes above the set LO temperature.

Synchronize/Pair Transmitter and Receiver

The transmitter and receiver were already paired at our manufacturing facility. Usually you do NOT need to re-synchronize or re-pair the units. You just plug in the probes, insert batteries, turn on the receiver and the transmitter and wait for a few seconds, you will see the temperatures shown on both receiver and transmitter and the units are ready for use.

However, in some unusual cases, the transmitter and receiver are no longer paired, then you may need to re-synchronize them by following the below steps:

- a. **Insert two AAA batteries into the receiver, the signal icon on the display will flash.**
- b. Insert two AAA batteries into the transmitter, insert the stainless steel probes into the corresponding plugs in the transmitter. The LCD display will show the current temperatures of each probe.
- c. Wait for a few seconds, the transmitter will send the signal to the receiver, once you see the current temperatures on the receiver, the unit is ready for use.
- d. **Press ON/OFF/RESYNC button and hold for three seconds to enter the synchronization mode .**
- e. Wait for a moment until the temperature reading shows on the receiver display, it means the synchronization/Pairing is complete. Your professional remote cooking thermometer is now ready for use.

Note: The synchronization between the transmitter and the receiver won't be lost even if you replace the batteries.

changes or modifications not expressly approved by the party responsible for compliance could void the user's authority to operate the equipment.

This equipment has been tested and found to comply with the limits for a Class B digital device, pursuant to part 15 of the FCC Rules. These limits are designed to provide reasonable protection against harmful interference in a residential installation. This equipment generates, uses and can radiate radio frequency energy and, if not installed and used in accordance with the instructions, may cause harmful interference to radio communications. However, there is no guarantee that interference will not occur in a particular installation. If this equipment does cause harmful interference to radio or television reception, which can be determined by turning the equipment off and on, the user is encouraged to try to correct the interference by one or more of the following measures:

- Reorient or relocate the receiving antenna.
- Increase the separation between the equipment and receiver.
- Connect the equipment into an outlet on a circuit different from that to which the receiver is connected.
- Consult the dealer or an experienced radio/TV technician for help.

This device complies with part 15 of the FCC Rules. Operation is subject to the following two conditions: (1) This device may not cause harmful interference, and (2) this device must accept any interference received, including interference that may cause undesired operation.

Model No.: TP28B

FCC ID: 2AATP-TP28B

This device complies with part 15 of the FCC Rules. Operation is subject to the following two conditions: (1) This device may not cause harmful interference, and (2) this device must accept any interference received, including interference that may cause undesired operation.