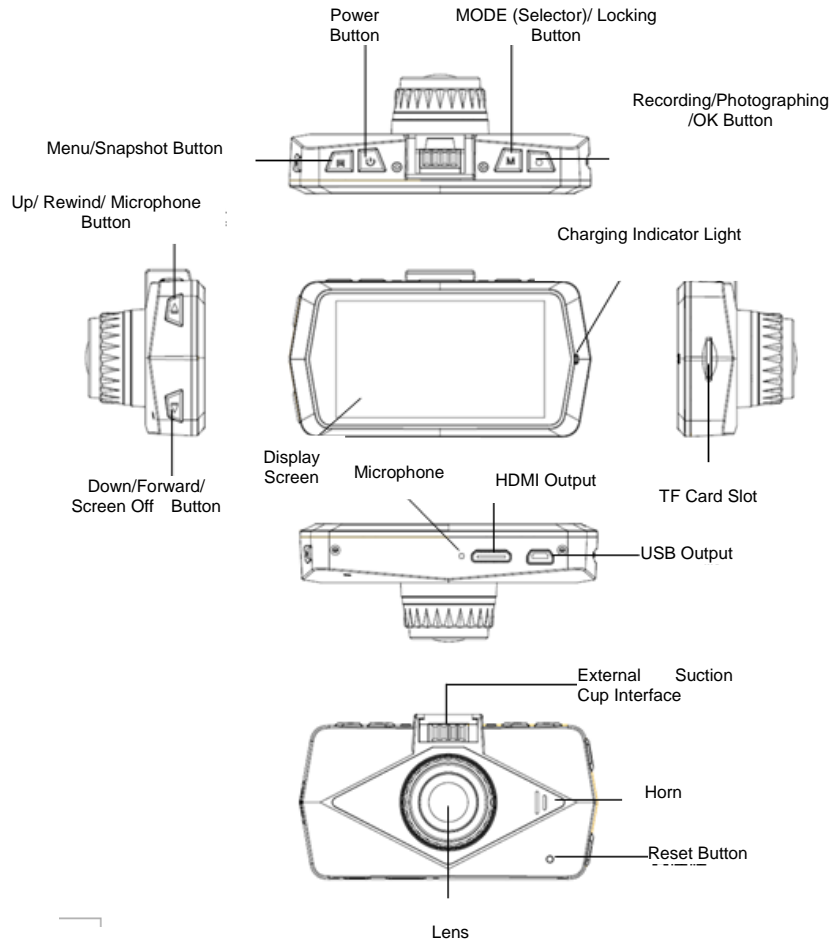


## **Contents**

1. Product Structure
2. Button Description
3. Connection of External Suction Cup
4. Specification
5. Operation Instruction
6. Menu Setup
7. General Troubleshooting
8. Description of Recording Preview Mode
9. GPS Track Player Software Instructions
10. APP Installation & Operation Instructions
11. Dash Cam Installation Steps

**Product Structure**



## Button Description

**MODE button:** Press it to select recording, photographing or 9-segment screen mode; during recording, press this button for locking.

**Menu/Snapshot button:** At recording, photographing or file browse mode, press this button to open or close the menu; during recording mode, press this button for snapshot; during playback of video files at file browse mode, press M button to stop playback, and press the Menu button to open or close the menu.

**Scroll up/down button:** At menu screen, press this button to select options in the menu; at 9-segment screen mode, press this button to browse pictures or videos; during playback of videos, press Scroll up or down button for rewind or fast forward; at recording mode, press Scroll up button to turn on or off the microphone, and press Scroll down button to turn on or off the screen;

**Power button:** Press and hold this button for 2 seconds to power on or off the dashboard camera.

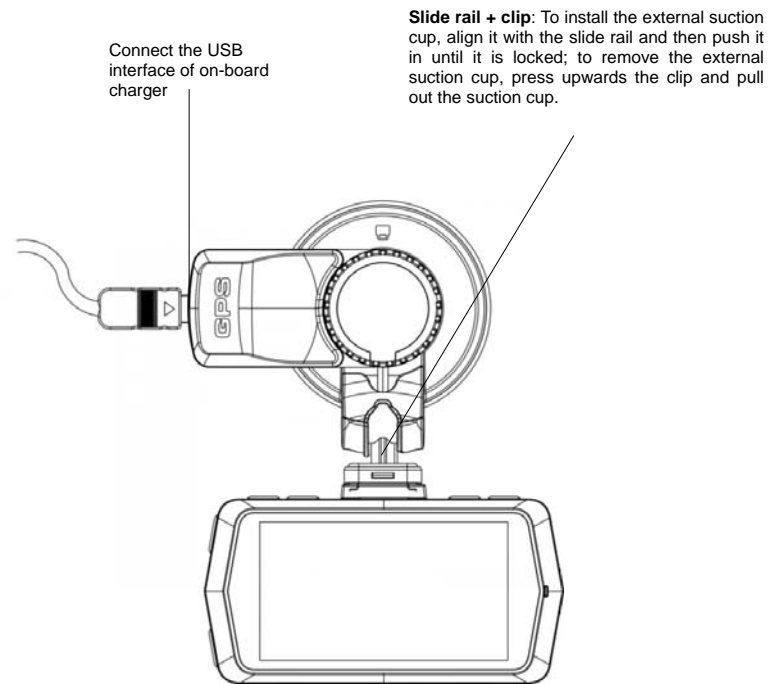
**Recording/Photographing/OK button:** At recording mode, press this button for recording; at photographing mode, press this button for photographing; at menu screen, press this button to confirm menu settings; during playback of videos, press this button for playback or pause.

**Reset button:** Press this button to restart the dash camera automatically in the case of power-on, and to stop it automatically in the case of power-off.

---

## Connection of external suction cup

The external suction cup is connected as shown below:



### Tips:

After power-on, the GPS will search satellites automatically. If GPS function is not activated, yellow icon "📶" will be shown on the left of LCD screen; and if GPS function is activated, a green icon "📶" shown on the left of the screen. (Optional)

## Specification

Sensor	4M CMOS sensor with 1/3 in sensing area
Lens	6-layer glass prime lens with aperture of f/1.8 and focus of (2.3±5%)mm
LCD	2.7-In 16:9 TFT LCD
Video Output	HD TV interface
Photo	JPG file format
Video Recording	H.264 compressed format 2560 x 1440, 30 fps 1920 x 1080, 60 fps 1920 x 1080, 30 fps 1280 x 720, 30 fps
Audio	Built-in microphone/horn (PCM)
Memory	External medium: SDHC card (supporting up to 128G TF card)
Battery Model	PL 402023
Battery Type	Li-ion
Battery Voltage	3.7 V
Battery Capacity	130 mAh (0.481 Wh)
Working Temperature	-30+75 degrees
Storage Temperature	-20+85 degrees

**Tips: This dashboard camera must be charged for more than 1 hour before first use to prevent restoration of default system time due to exhausted battery.**

## Operation Instruction

### Installation and removal of memory card:

1. Please check if TF card is inserted in correct direction; incorrect insertion may cause damage to TF card and the dashboard camera.
2. Please use high-speed IT card conforming to SDHC and bearing the mark of class C10 and

above.

3. If the memory card is incompatible with this dashboard camera, failure to read the card may occur. In that case, format the TF card with the formatting function of this dashboard camera.

**Power-on, power-off and automatic power-off of dashboard camera:**

1. Press and hold the Power button for power-on, and press and hold the button for 2 s for power-off.

2. To save battery power, the time for automatic power-off can be set in the setup menu. When no operation is done within the set time, the dashboard camera will be powered off automatically.

**Setup of parking mode:**

With the "Parking mode" function activated through the recording menu, the dashboard camera will enter the parking mode automatically upon detection of immobilization of car within 5 min. At the parking mode, the dashboard camera will start recording automatically upon detection of any movable object in front of the lens, and stop recording automatically if no movable object is detected within 10 s. The dashboard camera will exit the parking mode and start normal loop recording upon detection of start of car engine.

**Manual recording:**

Press "Recording/Photographing" button to start recording and press this button again to stop recording. During recording, the red indicator light will flash, and red icon "●" will flash on the display screen.

**Photographing:**


At photographing preview mode, press Recording/Photographing button for photographing.

**Turning on and off of microphone:**

During recording preview and recording, press Scroll up button to turn on or off the microphone.

**Automatic file lock and protection triggered by G-sensor:**

In violent crash, the built-in G-sensor of the dashboard camera will trigger the function of

automatic file locking and protection. Protected video files cannot be deleted. For protected video files, the symbol  will be shown in the middle of the screen.

When the size of the locked and protected file accounts for 25% of the capacity of the memory card, former files should be deleted manually so that the protection function can work again.

To activate this function, please refer to the "G-sensor" option in the system setup menu.

#### **Function of indicator lights:**

**Green indicator light:** This indicator light will flash during recording, stay on when the dashboard camera is idle, and flash during upgrading;

**Red indicator light:** This indicator light will come on during power supply and be off after full charging.


### **Menu Setup**

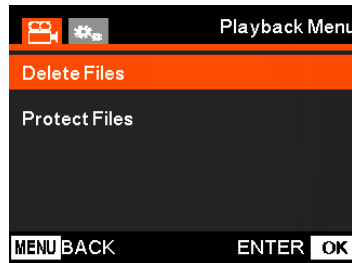
#### **Playback of video and photos:**

1. **File browse:** Press MODE button to enter playback mode at which currently taken videos or photos will be displayed on the screen. Then press Scroll up/down button to browse the files, and press Recording/Photographing button to play them.

2. **Video play:** Press Recording/Photographing button for playback or pause, press Scroll up or down button for fast forward or rewind, and press MODE (selector) button to stop playback.

3. **Delete:** To delete files in playback interface, press Menu button, then deletion menu (deletion of individual file and all files) will pop up. And then press Recording/Photographing button for deletion.

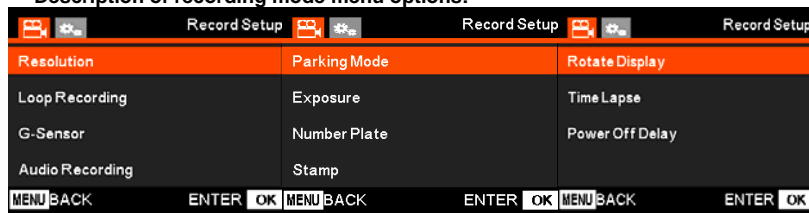
Locked files cannot be deleted and must be unlocked for delete, For a protected video file or photo, a locking mark  is shown in the upper part of the screen.



**Entry of menu setup:**

1. At recording preview mode (namely the menu after recording is stopped), press Menu button to enter the recording setup menu; then press Menu button to go to the setup menu;
2. Press Scroll up/down button to select the option to be set;
3. Press Recording/Photographing button to confirm selected option;
4. After menu setup, press Menu button to return to the recording preview mode.


**Description of recording mode menu options:**



**Resolution:** This option is used to set following levels of resolution for the dashboard camera:  
1440P, 1080P 60FPS, 1080P, 720P.

**Loop recording:** This option is used to set the loop recording file splitting time. At recording mode, when the size of record file is up to the set max. limit of capacity of TF card, the oldest record will be overlaid.



**G-sensor:** This option is used to set the sensitivity for G-Sensor to trigger the file protection function in order to monitor the car crash. In this way, the protection function will be triggered automatically in a crash. For protected file, a locking icon  is shown at the right upper corner of the screen. Protected files cannot be deleted during loop recording.

**Audio recording:** This option is used to turn on or off the microphone.

**Parking mode:** This option is used to activate the parking mode function, so that the dashboard camera can enter parking mode automatically upon detection of immobilization of car within 5 min. At parking mode, the dashboard camera will start recording automatically upon detection of any movable object in front of the lens, and stop recording automatically if no movable object is detected within 10 s. The dashboard camera will exit the parking mode and start normal loop recording upon detection of start of car engine.

**Exposure:** This option is used to set exposure values for different modulated light sources in order to make the video image clearer.

**Number Plate:** This option is used to set the plate number. Press Scroll up/down button to increase or decrease the number, and press OK button for confirmation.

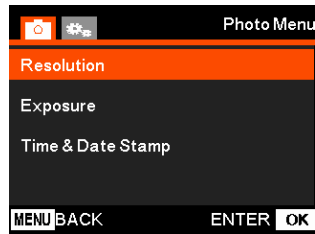
**Stamp:** This option is used to set time, number plate, speed and GPS stamps.

**Rotate Display:** This option is used to activate and deactivate the image flip function.

**Time Lapse:** This option is used to set the time lapse, namely the photographing time interval, such that the same scene or object can be taken at this set time interval automatically and continuously for a long period of time, forming a continuous frame composed of thousands of pictures, which will then be automatically processed into an animation video. In this way, the long process can be presented by a video lasting for a few minutes, avoiding long-time recording.

**Power Off Delay:** When the dashboard camera is connected to the on-board charger, it will be powered off 5 s after the car engine is shut down.

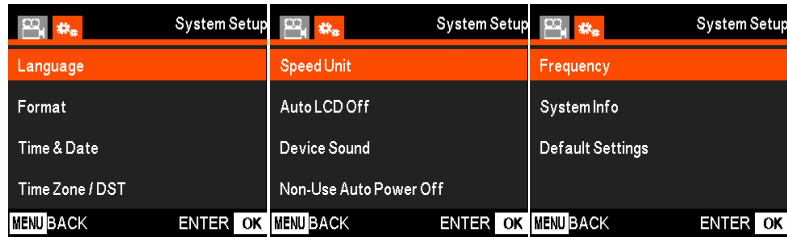
**Photographing mode menu options:**



**Resolution:** This option is used to set the following size of photo taken at photographing mode: 16M, 12M, 10M, 8M, 5M, 4M.

**Exposure:** This option is used to set exposure values for different modulated light sources in order to make the photo clearer.

**Time & Date Stamp:** This option is used to set the time and data stamp of photo.



**Language:** This option is used to set language. (Multiple languages can be selected)

**Format:** This option is used to format the memory or TF card.

**Time & Date:** This option is used to set the system time and date during recording.

**Time Zone/ DST:** This option is used to set the time zone of local place, which may be the accurately corrected time after activation of GPS function.

**Speed Unit:** This option is used to set the speed measuring unit as KMH or MPH.

**Auto LCD Off:** This option is used to set the time for automatic turning off of LCD. In this case,

pressing any button can turn on the LCD, and a flashing red indicator light indicates recording.

**Device Sound:** This option is used to eliminate the button pressing sound.

**Non-Use Auto Power Off:** This option is used to set the time for automatic power-off of the dashboard camera not in use, which is 3 min by default.

**Frequency:** This option is used to select the frequency of power line (50 Hz by default in China). Incorrect light source frequency will cause image interference like transverse stripe.

**System Info:** This option is used to display the version of system.

**Default settings:** This option is used to restore the system parameters to default settings.

## **General Troubleshooting**

### **1. Loop recording failure**

Check if the TF card has enough memory space. Loop recording requires wide memory space, and cannot work effectively if TF card does not have enough memory space. Please check if TF card has enough effective memory space. If necessary, delete some files manually or format the TF card.

### **2. Automatic pause in process of recording**

High-definition video contains enormous data; thus please use high-speed TF card conforming to SDHC and bearing the class mark of C6 or C10.

### **3. "Incorrect file" prompt appears during playback of pictures and videos**

This condition is caused by incorrect data storage due to individual damaged memory space of IT card resulted from poor quality or aging of the card. In this case, please format the TF card again with the formatting function of this dashboard recorder.

### **4. No image is displayed on the HD TV screen.**

Please check if the HDMI cable connector is connected correctly and the TV is set to correct

HDMI status.

**5. Recorded image is not clear**

This condition is caused by dirty lens. Please check if there is dirt or fingerprint on the lens and clean the lens with cloth regularly.

**6. Image interference like transverse stripe occurs during indoor recording**

This condition is caused by incorrect light source frequency. Please set the light source frequency as 50 Hz or 60 Hz according to the local commercial frequency.

**7. Difficulty in positioning with GPS**

In some cars, the receiving antennas of the built-in navigator are also installed at the front windshield. If they are very close to the dashboard camera, the GPS signals will be disturbed. In that case, install the dashboard camera away from the antennas, or turn off the car navigator.

**Description of recording preview mode**



- |                           |                          |
|---------------------------|--------------------------|
| 1. Recording icon         | 7. Exposure compensation |
| 2. Resolution             | 8. Memory card           |
| 3. Loop time              | 9. Time display          |
| 4. Recording time         | 10. Date display         |
| 5. Time lapse photography | 11. Charging icon        |
| 6. GPS icon               | 12. Microphone           |
| 13. WDR icon              |                          |

## GPS track player software instructions

### 1. Software installation

Please install the software "Cardv Player.exe" provided on the website.



### 2. Software operation

Double click the file "Player.exe" to play the file. (The recorded track can be displayed by adding file into the player)



uctions

### APP Installation & Operation Instructions

1. Download Android APP: Visit Google Play website and search for "DashCamDV". Then download and install the applicable Android APP;
2. Download IOS APP: Visit APP store website and search for "DashCamDV". Then download and install the applicable IOS APP;
3. After the car engine is started, the dash camera will be powered on automatically, and the Wi-Fi function activated automatically. SSID is Cardv xxx and default password is 123456789. Please connect Wi-Fi and start to operate dashboard camera APP.

### Dash Cam Installation Steps



Step 1  
Fix the dashboard camera near the rearview mirror with the suction cup mount to the extent that the vision is unobstructed.



Step 2  
Insert the USB port of the on-board charger cable into the USB interface of the dashboard camera mount, and put down the on-board charger cable towards the concealed wire naturally. Then insert the cable into the ceiling from left to right manually.



**Step 3**

When laying the cable at the right upper corner towards the door of the car, pull apart the body side panel slightly manually and insert the cable into it. This operation will not damage the car and can be done in every car.



**Step 4**

At the edge of door, pull out the door moulding and insert the cable into it manually. Then lay the cable along the moulding.



**Step 5**

At the bottom of the glove box handle, insert the cable into the gap, and measure the distance from the cigar lighter plug to the cigar lighter. Then conceal the redundant cable here as much as possible.



**Step 6**

Insert the cigar lighter, then the dashboard camera can be powered on or off automatically.

**FCC Radiation Exposure Statement:**

This equipment complies with FCC radiation exposure limits set forth for an uncontrolled environment. This equipment should be installed and operated with minimum distance 20cm between the radiator & your body.

#### FCC Warning

This device complies with Part 15 of the FCC Rules. Operation is subject to the following two conditions:

(1) This device may not cause harmful interference, and (2) this device must accept any interference received, including interference that may cause undesired operation.

NOTE 1: This equipment has been tested and found to comply with the limits for a Class B digital device, pursuant to part 15 of the FCC Rules. These limits are designed to provide reasonable protection against harmful interference in a residential installation. This equipment generates, uses and can radiate radio frequency energy and, if not installed and used in accordance with the instructions, may cause harmful interference to radio communications. However, there is no guarantee that interference will not occur in a particular installation. If this equipment does cause harmful interference to radio or television reception, which can be determined by turning the equipment off and on, the user is encouraged to try to correct the interference by one or more of the following measures:

- Reorient or relocate the receiving antenna.
- Increase the separation between the equipment and receiver.
- Connect the equipment into an outlet on a circuit different from that to which the receiver is connected.
- Consult the dealer or an experienced radio/TV technician for help.



NOTE 2: Any changes or modifications to this unit not expressly approved by the party responsible for compliance could void the user's authority to operate the equipment.