



Tengxiang Technology.Inc

Product Number: AB0915-4602RS-1P5M

Product Name: Antenna


Specification For Approval

Customer: _____

Customer P/N: _____

Tengxiang P/N: AB0915-4602RS-1P5M

Description : 磁盘天线+1.5米RG174/U线接SMA公头母针
+AN93 款黑色 SMA 公头母针天线(铜管结构)

Tengxiang Checked By:	Customer Approved By:
<p>工程: DWF 射频: 韦佳</p> 	



Tengxiang Technology.Inc

NO.53 Shatou ShaChong Road, ChangAn Town, Guangdong province, China

TEL:86-769-81873082 FAX:86-769-82663788

<http://www.tenxiang.cn>

Product Number: AB0915-4602RS-1P5M

Product Name: Antenna

1. Specification

Sample Photo	
	
A. Electrical Characteristics	
Frequency	915 MHz
V.S.W.R.	<= 2.0
Antenna Gain	0.61 dBi
Polarization	Linear
Impedance	50 Ohm
B. Material & Mechanical Characteristics	
Material of Radiator	CU
Material of Plastic	ABS ,POM,PC+PBT, TPEE
Cable Type	RG174/U
Connector Type	RP SMA PLUG (公头母针)
C. Environmental	
Operation Temperature	- 20 °C ~ + 60 °C
Storage Temperature	- 30 °C ~ + 65 °C

2. Characteristics and Reliability Test

Test Items		Test Condition and Procedure	Requirements
C1	V.S.W.R.	Set DUT on Network Analyzer; make individual calibration to test	Directive DUT specification
C2	Antenna Gain	Set DUT on Antenna Chamber; make individual calibration to test	Directive DUT specification
M1	Vibration	MIL-STD-202G, 201A	1. No Visual Damage



Tengxiang Technology.Inc

Product Number: AB0915-4602RS-1P5M

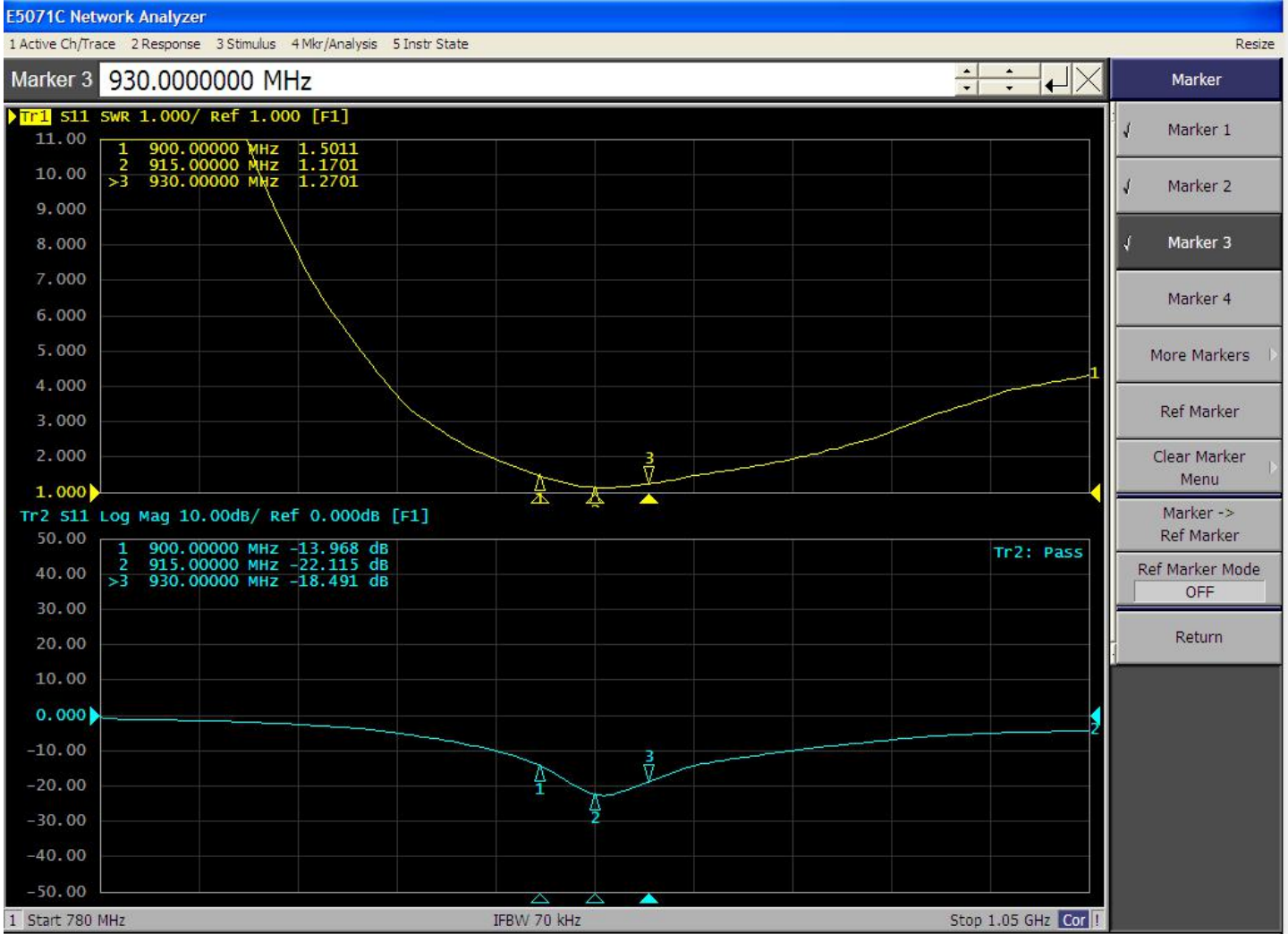
Product Name: Antenna

		Amplitude: 0.03 inch (0.76mm); Freq: 10 to 55 Hz 3 directions; 2 hours for each direction	2. Frequency Tol.<= 5%
M2	Random Drop	Height: 1.5 Meter; 3 directions; 1 time for each direction	1. No parts separated 2. Frequency Tol.<= 5%
M3	Solderability	MIL-STD-202G, 210F, cond. A Solder iron: 350±10°C; Duration: 5 seconds	1. Mounted on PCB 2. No Visual Damage
M4	Terminal-Pull Test	MIL-STD-202G, 211A, cond. A Holding with individual specification; force applied to axis of terminal	1. Directive DUT specification 2. Frequency Tol.<= 5%
M5	Terminal-Torque Test	MIL-STD-202G, 211A, cond. E Holding with individual specification; applied clockwise and counterclockwise to the axis of terminal	1. Directive DUT specification 2. Frequency Tol.<= 5%
M6	Dimension	Inspection of dimension, color, material, package, surface process	Directive DUT specification
E1	Salt Spray	MIL-STD-202G, 101E, cond. B Temp: 35°C; RH: >= 95%; NaCl solution: >= 5%; Time: 24 hours	After 2 Hours Recovery 1. No Visual Damage 2. Frequency Tol.<= 5%
E2	Humidity	MIL-STD-202G, 103B, cond. B Temp: 40°C; RH: >= 95%; Time: 24 hours	After 2 Hours Recovery 1. No Visual Damage 2. Frequency Tol.<= 5%
E3	Thermal Shock	1 Cycle: - 30°C (30 minutes) to + 65°C (30 minutes) Cycles: 24	After 2 Hours Recovery 1. No Visual Damage 2. Frequency Tol.<= 5%
E4	Life (High Temp.)	MIL-STD-202G, 108A, cond. A Temp: 80°C; Time: 24 hours	After 2 Hours Recovery 1. No Visual Damage 2. Frequency Tol.<= 5%
R1	RoHS	With Reference to IEC 62321:2008 with flow chart	Directive RoHS 2015/863(EU)

Product Number: AB0915-4602RS-1P5M

Product Name: Antenna

3. Antenna - S Parameter Test Data

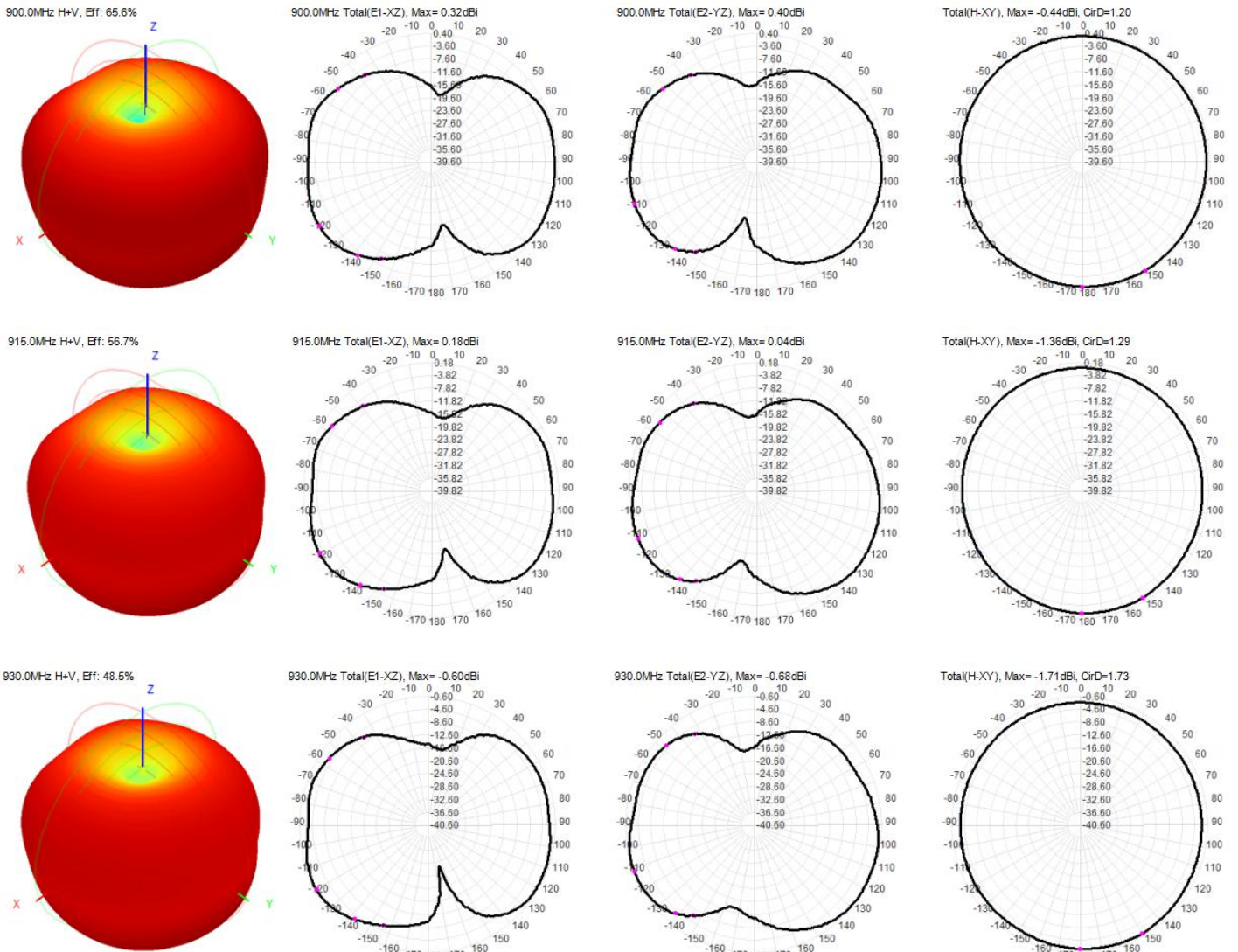


4. Antenna - Radiation Pattern Test Data

Frequency (MHz)	900.0	915.0	930.0
Gain (dBi)	0.61	0.55	0.60
Efficiency (%)	65.61	66.73	60.55

Product Number: AB0915-4602RS-1P5M

Product Name: Antenna

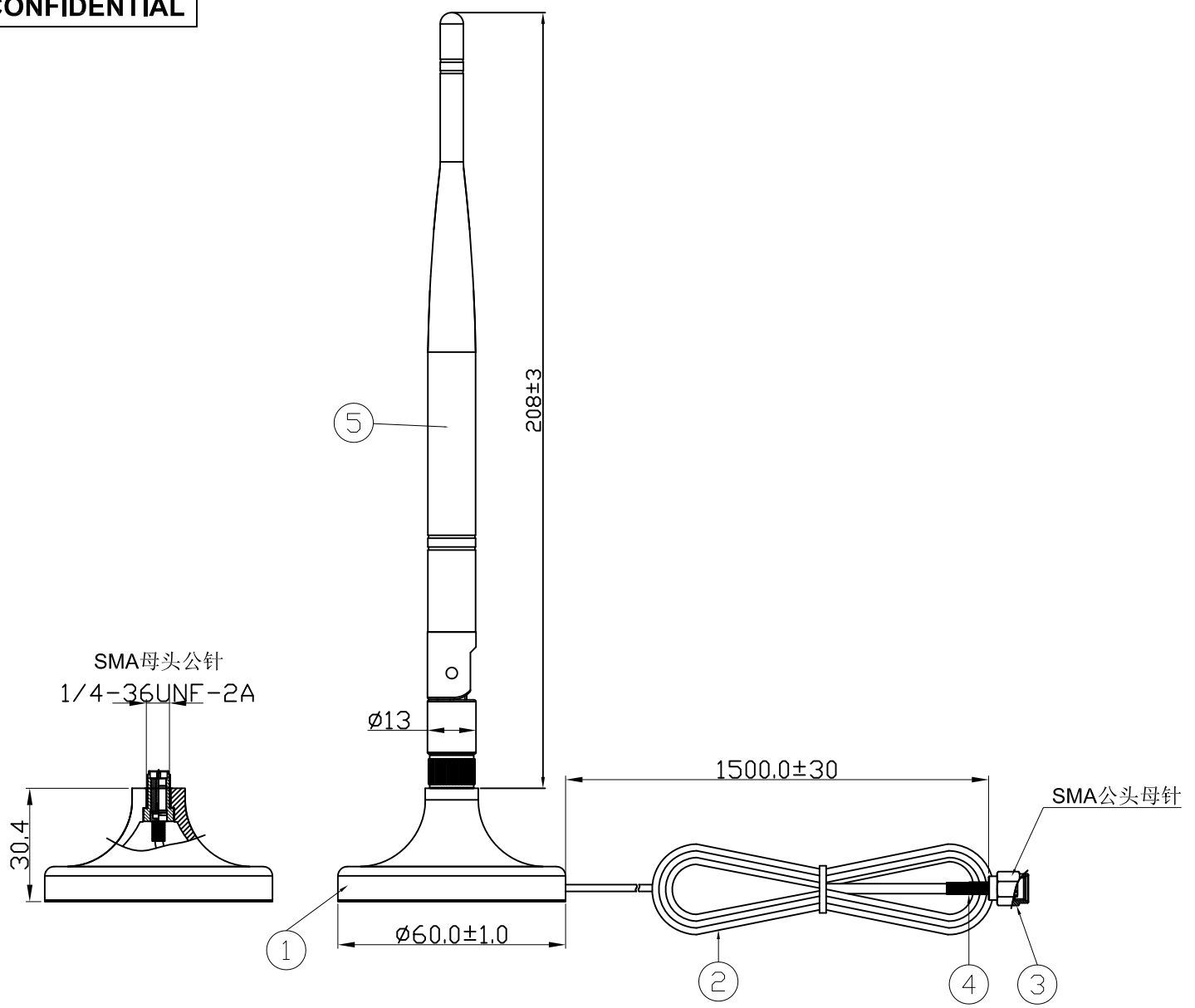


5. Mechanical Drawing (See attached files)

1 2 3 4 5

HF
 RoHS2.0
 REACH
 CONFIDENTIAL

SIGN	DATE	DESCRIPTION	APPROVED
△			
△			
△			



5	AN0915-93BC03RS-B	ANT(SMA 公头母针)	POM,ABS,PC+PBT,TPEE	Black	1
4	HSTUBE-004N	HSTUBE	EVA	Black	1
3		RP SMA Plug	Cu	Au Plated	1
2	RG174/U	Cable		BLACK	1
1	ASM-AB46-02B	Plastic Body	ABS	BLACK	1
No.	Part Number	Description	Material	Finish	Q'ty

Note:
 1.Mark * is important dimension;"Cpk "Identify for process control(CpK≥1.33).
 2.Tolerance:Unmarked tolerance refer to the standard tolerance please.

		APP BY	YCX	CHK BY	HC
		UNITS: mm	2020.12.28		2021.11.10
TITLE: 915 Antenna		SCALE: 1:1	Tolerance	RF BY	WJ
		REVISION: A	X.X ±0.5 X.XX ±0.2 X° ±1		2021.11.10
PART NO.: AB0915-4602RS-1P5M		CUSTOMER P/N: /		DES BY	DWF
					2021.11.10

1 2 3 4 5

產品包裝規範

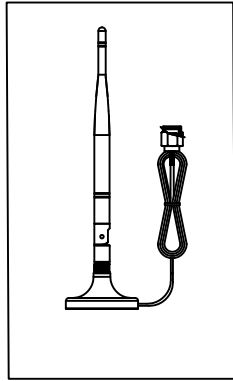
PACKING CRITERION

Date: 2021.1.10

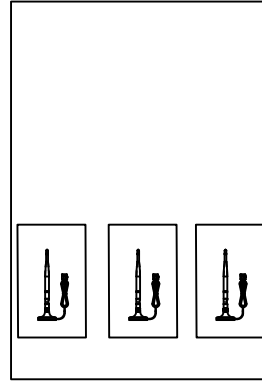
Page: 1 of 1

Part Number : AB0915-4602RS-1P5M	Revision : A
Name: Antenna	Customer : ALL

1. Enter PE bag.

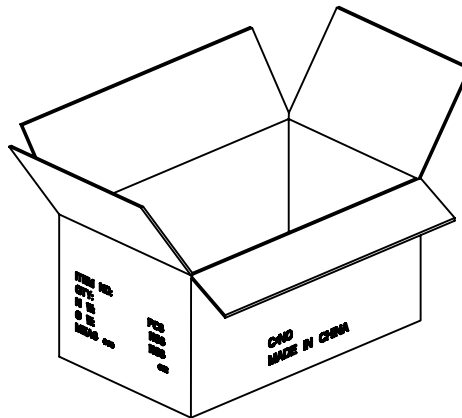


1pcs/ PE bag



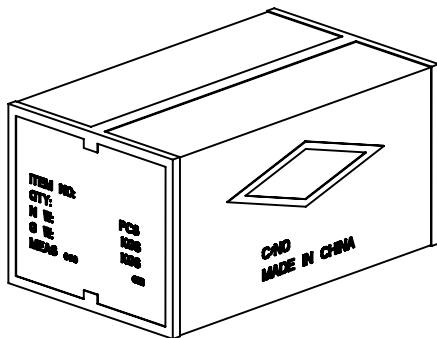
20pcs/ PE bag

2.PACKING.

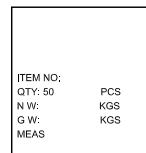


200pcs/Box

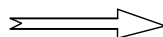
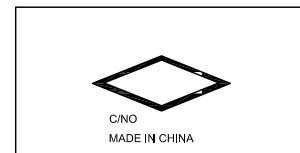
3. SEALING.



SIDE



FRONT



APPROVED BY : YCX

CHECKED BY : HC

DESIGNED BY : DWF