

深圳市鸿联兴电子有限公司

APPROVAL SHEET

Customer unit name	
Product model	GPS Antenna
Model NO	GPS ANT01
Description	
Customer REF.NO	
Date	

Please return one for us after checking

APPROVED BY:



深圳市鸿联兴电子有限公司

CUSTOMER		MODEL NO	
DESCRIPTION		CODE NO	

1.ELECTRICAL SPECIFICATION

Frequency range	1575 ± 3MHz
V. S. W. R	≤ 1.5:1
Gain (DBi)	≅ 23DBi
Impedance	50 Ω
Polarization	RHCP
Max. input power (watt)	50

2.MECHANICAL SPECIFICATION

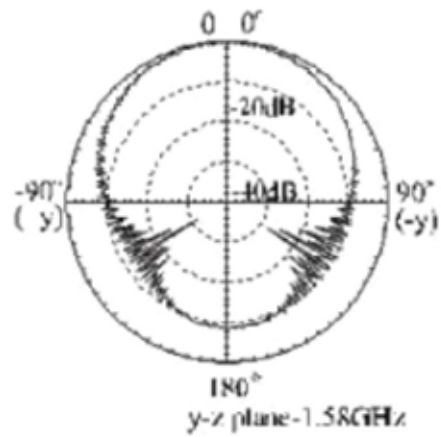
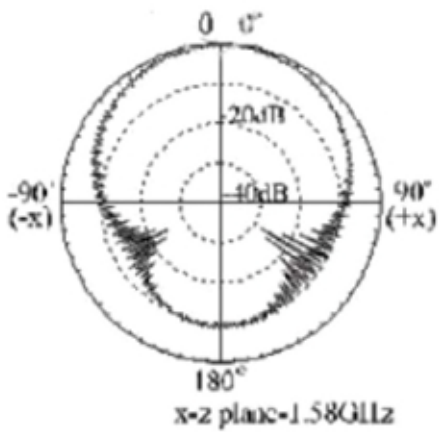
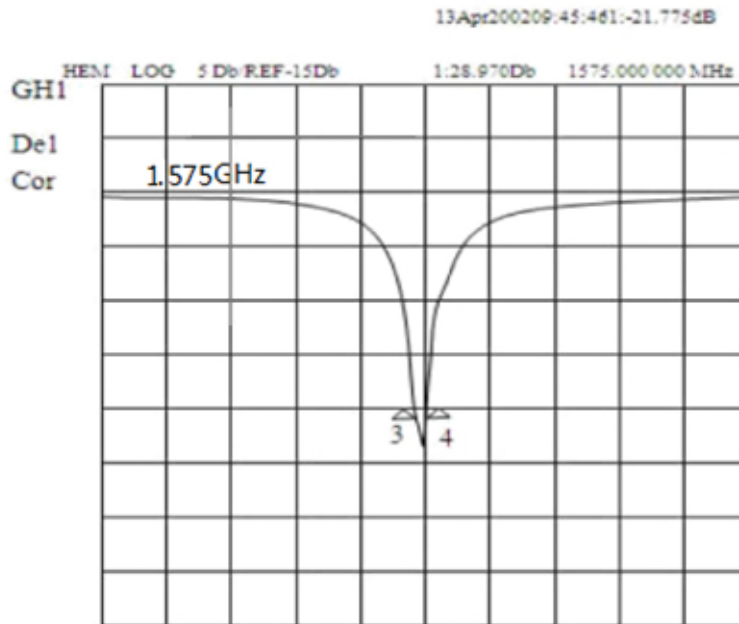
Dimensions (mm)	Patch: 25*25
Color	
Connector type	Fakra-C
Cable length	5.0m

Operating temperature(°C)	-40°C~+85°C
Storage temperature(°C)	-65°C~+95°C

深圳市鸿联兴电子有限公司

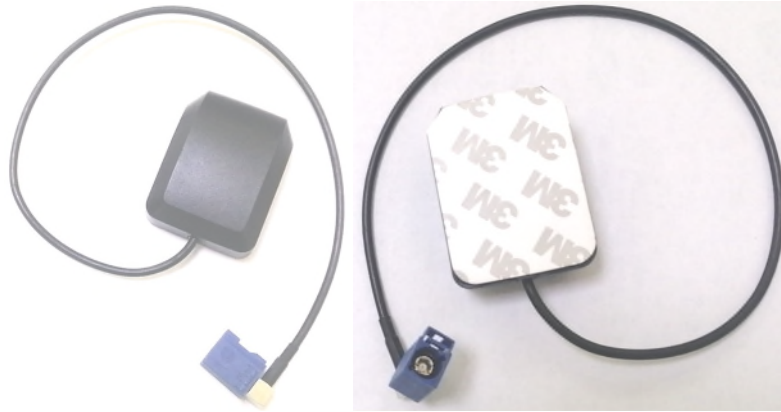
Test data and graph

GPS



深圳市鸿联兴电子有限公司

Size diagram product shape



1.Characteristics:Low current, low voltage, low noise

2.use: This product is widely used in GPS navigation and monitoring terminal products receiving signals

3.Mechanical data: Outlook size (mm): 50*38*14 Weight: 56±1g

Outer cover: sand surface " GPS"

Connection form: Fakra-C

Cable: Kurabe(f=RG174)or Hitachi(f=RG174) or L=350mm

4.Environment:

Working environment:Temperature/Humidity:-40 to +85°C/10 to 95%RH

storage temperature:Temperature/Humidity:-40 to +85°C/10 to 95%RH

5.electrical property:Suoyoudexiangmuceshidouzaiwendu 25 15 °C、

shidu 65 20%rh 、 edingshurugonglv 1 w 、 qiya 960 100hpa

tiaojianxiacede

深圳市鸿联兴电子有限公司

Dielectric antenna

Projects	Indicators
FrequencyRange (MHZ)	1575±3MHz (In good case of antenna mounting and earthing)
Bandwidth (10dB return loss)	10MHz typical
Gain(dB)	-1dBic at Zenith
	-6dBic at 10° elevation
Polariation	R. H. C. H
Axial ratio	3.0dB typical
Outlook size (mm)	25x25x4

LNA

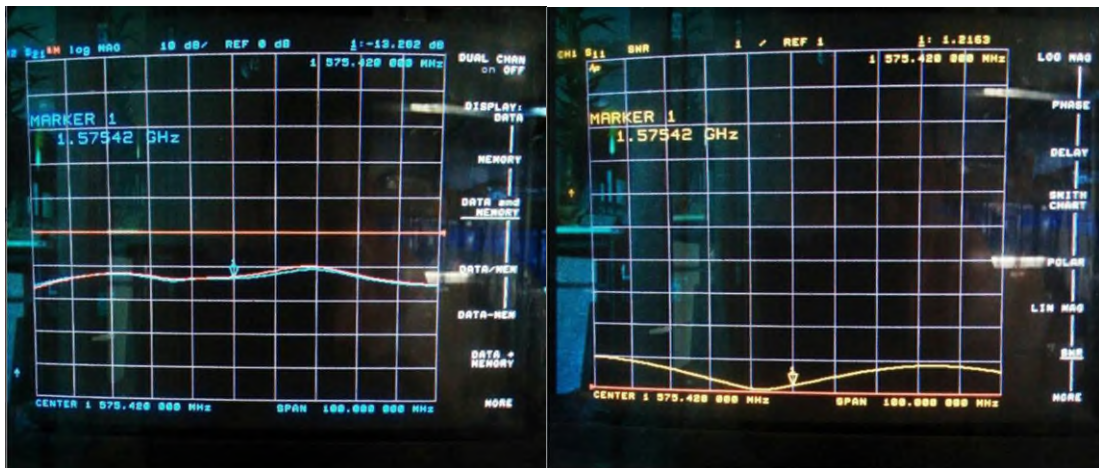
Projects	Indicators
FrequencyRange (MHZ)	1575±3MHz
Gain(dB)	23dB min at 3V
Noise figure	0.76dB at 3V
Voltage	DC=3.0-5.0V
Electric current	DC=4mA at 3V

深圳市鸿联兴电子有限公司

Actual test result diagram

- 1.Relative gain test of network analyzer 2. Standing wave test of network analyzer

(on-line length of 3 meters):



- 3.Computer signal test:

- 4.Navigation test:(GPS)

