



S/N:

Model: MC200  
FCC ID: 2AAS4MC200  
IC: 11328A-MC200

Contains FCC ID: QOQBLE112  
Contains IC: 5123A-BGTBLE112

This device complies with Part 15 of FCC Rules. Operation is subject to the following two conditions: (1) this device may not cause harmful interference, and (2) this device must accept any interference received, including interference that may cause undesired operation.



4

3

2

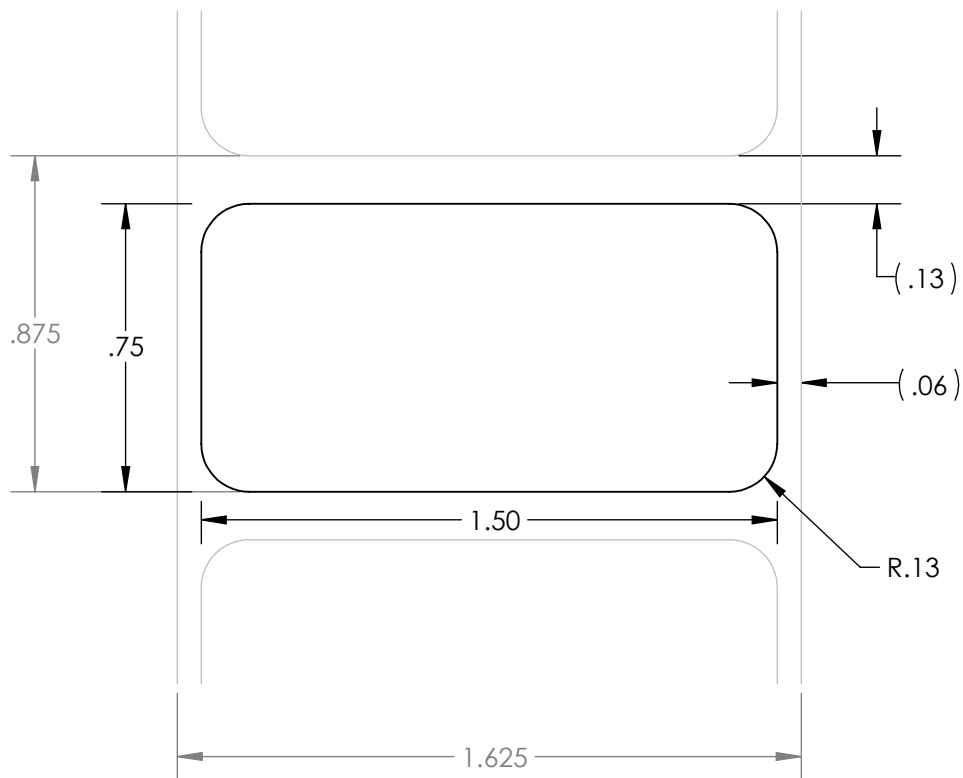
1

**- NOTE -**

This document contains information which is Confidential and Proprietary property of Matterport.

**REVISIONS**

| Rev. | Description     | Drawn By | Effective Date |
|------|-----------------|----------|----------------|
| A    | Initial Release | TL       | 15 Aug 2013    |



**Notes:**

- Construction is Fasson Spec #72826:
  - 2 mil Matte Chrome Polyester Facestock
  - .8 mil S333 permanent acrylic adhesive
  - 50# SCK liner
- Lay up shall be on a 3" core, face out with a 7/8" repeat

**Matterport**

**Product Label Stock Rev. A**

|                                |                    |   |                |                  |                          |
|--------------------------------|--------------------|---|----------------|------------------|--------------------------|
| MATERIAL/FINISH<br>See Notes / |                    | UNLESS OTHERWISE SPECIFIED<br>DIMENSIONS ARE IN INCHES<br>TOLERANCES ARE: |                | SIZE<br><b>A</b> | DWG NO.<br><b>C10138</b> |
| FILE NAME:<br>Product Label    | FRACTIONS<br>±1/32 | DECIMALS<br>XXXX ±.0005<br>XXX ±.005<br>XX ±.01                           | ANGLES<br>±.5° | SCALE: NONE      | DO NOT SCALE DRAWING     |
|                                |                    |   |                | SHEET            | 1 OF 1                   |

4

3

2

1