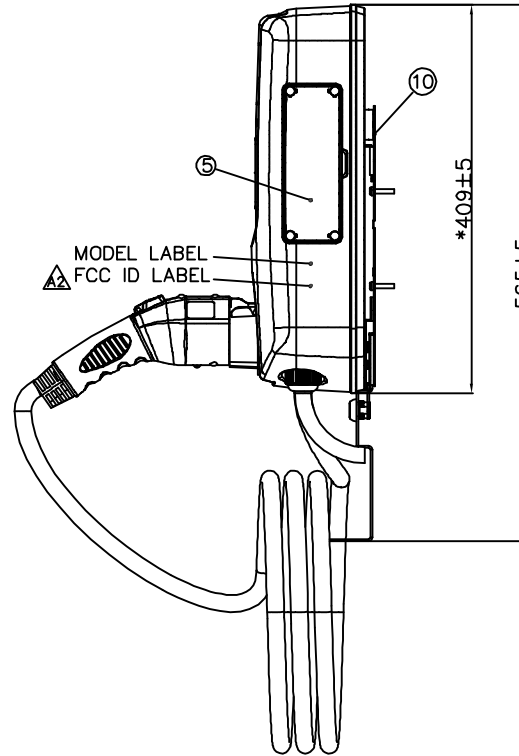
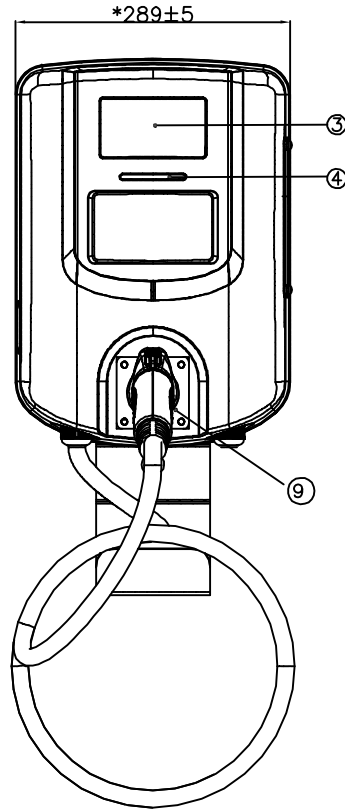
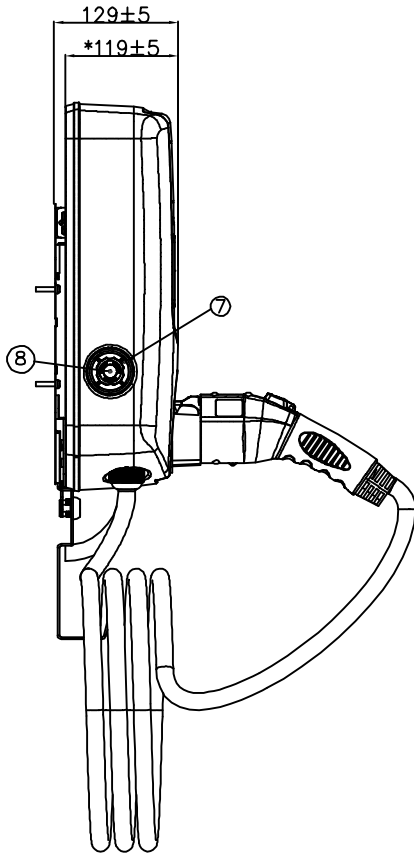
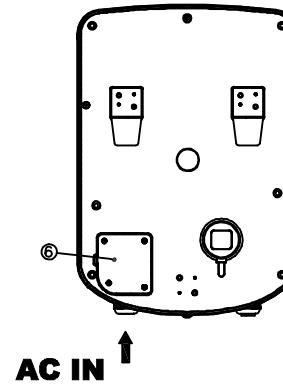


NO.	PART NAME	COLOR	QUANTITY	NOTES
1	TOP CASE	WHITE/BLACK	1	
2	BOTTOM CASE	BLACK	1	
3	LCD PANEL	CLEAR	1	
4	LED	CLEAR	1	
5	SIDE DOOR	WHITE	1	
6	BACK DOOR	BLACK	1	
7	PROTECTION COVER	CLEAR	1	
8	EMERGENCY BUTON	RED	1	
9	CHARGING PLUG	WHITE	1	
10	BACK BRACKET	BLACK	1	



MODEL LABEL
FCC ID LABEL



AC IN ↑

NOTES:
CHARGING INTERFACE:SAE J1772 CHARGING PLUG,5(±10%)M CABLE.

修正 REVISIONS	
CHECK & ISSUE.	02/21'19
ADD FCC ID LABEL	10/25'19

說明 GENERAL NOTES

長度區分 RANGE	容許公差區分 (MM) COMMON TOLERANCE			
	A	B	C	D
低於 8 LESS THAN 8	±0.05	±0.1	±0.2	±0.4
8-25	±0.06	±0.15	±0.3	±0.6
25-50	±0.12	±0.25	±0.5	±1.0
50-250	±0.25	±0.4	±0.8	±1.5
250-500	±0.5	±0.8	±1.5	±3.0
500-2500	±1.0	±1.5	±3.0	±6.0
ANGULAR	±0.15	±0.3	±0.6	±0.8

飛宏科技股份有限公司
FEE HONG TECHNOLOGY CO., LTD.

機型 MODEL	EA702C1UF8P2-RW
材質 MATERIAL	XX
處理 TREATMENT	XX

核准 APPROVED	Kent_Hsu	10/25'19
審核 CHECKED		
設計 DESIGN	Jason_Chang	10/25'19
製圖 DRAWN	Vivian_Wang	10/25'19
THIRD ANGLE PROJECTION		

公差 TOLERANCE	B	名 DESCRIPTION	OUTLINE DRAWING
比例 SCALE	×	單位 UNIT	MM
		料號 PART NO.	PES08181-A2