

Notice to the user

Government law prohibits the operation of unlicensed radio transmitters within the territories under government control.

Illegal operation is punishable by fine or imprisonment or both.

THANK YOU

We are grateful you choose BelFone series professional radio communications products!

Since 1989, BelFone has been always engaging in research and exploration of radio communications technologies, In order to lead intelligent technologies in the industry. We still make every effort to research and design products according to modern complicated communications environment, and we offer complete and customized communication solutions to clients. Our products will satisfy you because of its excellent performance and outstanding communications strength. No matter what field you are in. You will be satisfied with the transceiver.

This manual is applicable to: DMR digital FM transceiver model: BF-TM8250 UHF

Warning !

Any Changes or modifications not expressly approved by the party responsible for compliance could void the user's authority to operate the equipment.

This device complies with part 15 of the FCC Rules. Operation is subject to the following two conditions: (1) This device may not cause harmful interference, and (2) this device must accept any interference received, including interference that may cause undesired operation.

Note: This equipment has been tested and found to comply with the limits for a Class B digital device, pursuant to part 15 of the FCC Rules. These limits are designed to provide reasonable protection against harmful interference in a residential installation. This equipment generates, uses and can radiate radio frequency energy and, if not installed and used in accordance with the instructions, may cause harmful interference to radio communications. However, there is no guarantee that interference will not occur in a particular installation. If this equipment does cause harmful interference to radio or television reception, which can be determined by turning the equipment off and on, the user is encouraged to try to correct the interference by one or more of the following measures:

- Reorient or relocate the receiving antenna.
- Increase the separation between the equipment and receiver.
- Connect the equipment into an outlet on a circuit different from that to which the receiver is connected.
- Consult the dealer or an experienced radio/TV technician for help.

This equipment complies with FCC radiation exposure limits set forth for an controlled environment .This equipment should be installed and operated with minimum distance 55cm between the radiator& your body.

FCC radiation exposure statement

To control your exposure and ensure compliance with the occupational/controlled environment exposure limits always adhere to the following procedures.

Guidelines:

- Do not remove the RF Exposure Label from the device.
- User awareness instructions should accompany device when transferred to other users.
- Do not use this device if the operational requirements described herein are not met.

Operating Instructions:

- Transmit no more than the rated duty factor of 50% of the time. To transmit (talk), push the Push-To-Talk (PTT) button. To receive calls, release the PTT button. Transmitting 50 % of the time, or less, is important because this radio generates measurable RF energy exposure only when transmitting (in terms of measuring for standards compliance).

- Use only manufacturer's name approved supplied or replacement antennas, batteries, and accessories. Use of non-manufacturer-name approved antennas, batteries, and accessories may exceed the FCC RF exposure guidelines. The max antenna gain is 5.5dBi.

Precautions

It's important that the operator is aware of and understands hazards common to the operation of any transceiver. Please observe the following safety precautions to prevent transceiver damage or personal injury. The following precautions shall be observed during operation, service and repair of this transceiver.

- ◆ The recommended usage rate is 1 minute for TX and 4 minutes for RX, when the transceiver is used for transmission for many hours. Continuously, the radiator and chassis will become hot, don't allow the rear panel of the transceiver to contact surface of low melting point /low Ignition point object.
- ◆ Don't leave the transceiver in direct sunlight for a long time, Don't place the transceiver on extremely heat, damp, dusty area, and don't put it on unstable surfaces.
- ◆ When restriction or warnings are posted regarding the use of radio devices, please obey the regulation turn the transceiver power off.
- ◆ Use of the transceiver while you are driving may be against traffic laws, please prohibit using it.
- ◆ If you notice any problems on the transceiver, please turn off at first. Then contact with local dealer. Do not modify this transceiver unless instructed by this manual or refer service to a qualified licensed or certified technician only.
- ◆ If you want to use the machine for secondary development, Please contact with BelFone's technical engineer or dealer for technical assistance.
- ◆ Please keep the surface of transceiver is clean and dry, clean the transceiver using a cloth moistened with clean water and a mild dishwashing liquid.

Contents

Supplied Accessories.....	6
Getting Acquainted.....	11
Basic Operation	14
Calls on digital channel	18
Calls on Compatible Channel	18
Functions and Operations	18
Contacts	18
Scanning	20
Zone	20
Text Message.....	20
Call Log.....	21
Recording	22
Setting.....	22
Roam	23
Emergency	24
Analog Signaling	26
Voice Encryption.....	27
Reject Stranger Call.....	27
Direct Mode.....	28
Compander	28
Scrambler.....	28
Time Out Timer (TOT)	28
TX Permission	28
CTCSS/CDCSS	29
CTCSS Frequency Table.....	30
CDCSS Standard Code Table.....	30
Specifications	32
Statement	34

Supplied Accessories

Notes: The accessories listed below are covered by BelFone dealer, authorized BelFone agents or factories .

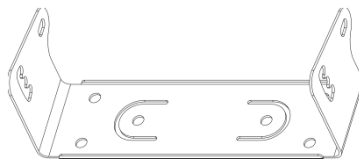
After carefully unpacking the transceiver, identify the items listed in the table below. If any items are missing or have been damaged during shipmen, please contact with dealer immediately.

Accessory		
Items	Num	Qty.
Microphone		1
Mounting bracket		1
Microphone hanger		1
DC power cable		1
Screws		4
Fuse		1
Instruction Manual		1
Warranty Card		1
Certificate		1

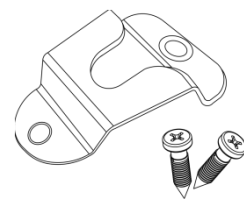
Microphone



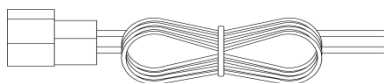
Mounting bracket



Microphone hanger



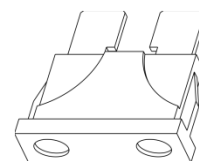
DC power cable



Screws



Fuse



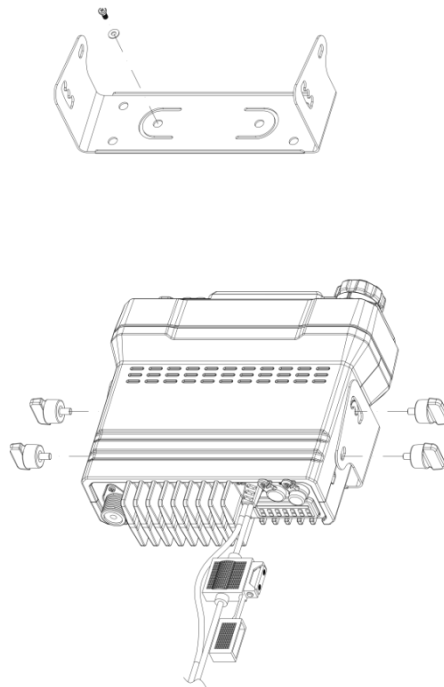
Notes: Do not use accessories not specified by BelFone.

Installation of Accessories

Mobile Transceiver Installation

To install the transceiver, select a safe, convenient location inside your vehicle that minimizes danger to your passengers and yourself while the vehicle is in motion. Try to pick a well-ventilated location that is shielded from direct sunlight.

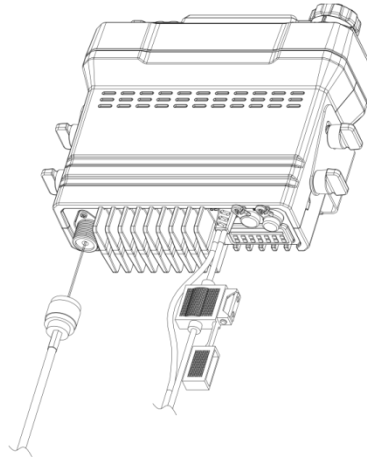
Install the mounting bracket in the vehicle using the supplied self-tapping screws. Ensure that all hardware is tightened; please use specified Mounting bracket and screws to install.



Antenna Installation

Before operating, you must first install an efficient, well-tuned antenna. The success of your installation will depend largely on the type of antenna and its correct installation. The transceiver can give excellent results if the antenna system and its installation are given careful attention.

The antenna for a base station shall be set in a high ground without obstacles around; the antenna for transceiver is suitable for installing in the center of the car roof; the use of an antenna with higher gain will obtain better coverage.

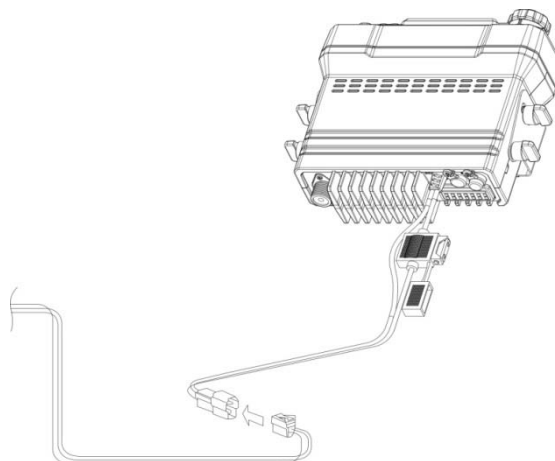


Notes:

- ◆ Use a low-loss coaxial feed line that also has a impedance of 50 Ω , to match the transceiver input impedance. Coupling the antenna to the transceiver via feed lines having an impedance other than 50 Ω reduces the efficiency of the antenna system and damage transceiver.
- ◆ Transmitting without first connecting an antenna or other matched load may damage the transceiver. Always connect the antenna to the transceiver before transmitting.
- ◆ All fixed stations should be equipped with a lightning arrester to reduce the risk of fire, electric shock, or transceiver damage.

Power Cable Connection

Be sure to use a 12 V vehicle battery that has sufficient current capacity. If the current capacity to the transceiver is insufficient, the transmit output power may drop excessively and generate warning tone. Never connect the transceiver to a 24 V battery. If necessary to connect the transceiver to 24V power please select a specified DC-DC battery.



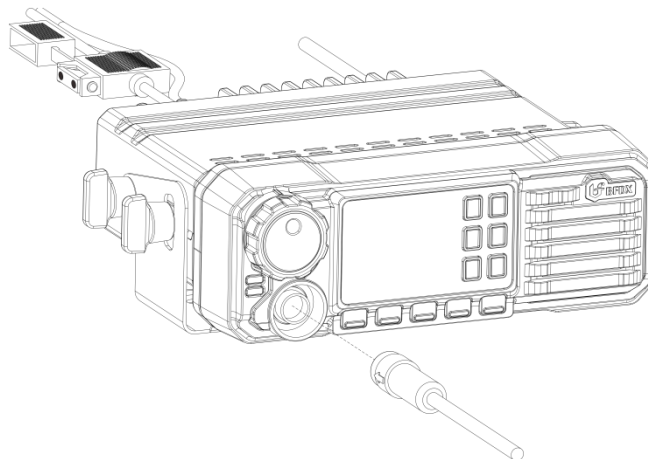
To prevent the risk of short circuits, disconnect other wiring from the negative battery terminal before connecting the transceiver.

Notes: This transceiver is designed for a 13.8 V power source. Never use a 24 V battery to power the transceiver. Before installed the device, please check the correct polarity and the voltage of the battery. Pay attention to connect and cut off the battery as following:

- ◆ using specified transceiver power cable to connect battery terminals; red connects to the positive (+) terminal and black connects to the negative (-) terminal , when connecting will be carefully to prevent the risk of short circuits.
- ◆ Confirm the correct and security of the connections, then turn on the power to operation.
- ◆ Do not remove the fuse holders from the cable, otherwise the incorrect connection may lead to the device get smoke.

Microphone Installation

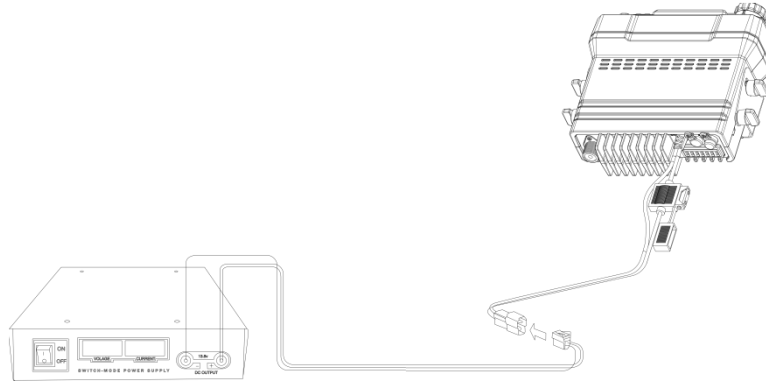
Open the accessory jack cover, then align the arrows with the left of panel and plug, press firmly on the plug until the locking tab clicks. To pull microphone away from transceiver, pull the head of microphone latch out.



Fixed Station Installation

In order to use this transceiver for fixed station operation, you will need a separate 13.8 V DC power supply (not included). The recommended current capacity of your power supply is 15 A or more.

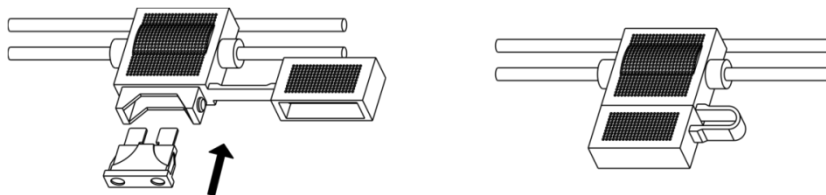
The power supply and fixed station can place in work table; also you can install it on wall by suitable bracket.



- ◆ Before finished all connections, Please don't directly connect the transceiver to an AC outlet.
 - ◆ Ensure transceiver and DC power are cut off.
 - ◆ Connect the transceiver's DC power connector to the connector on the DC power cable and confirm the correct polarity of the connections. (Red: positive, Black: negative).
 - ◆ Press the connectors firmly together until the locking tab clicks.
- Note:** For your transceiver to fully exhibit its performance capabilities, we recommend using the BF specified power supply.

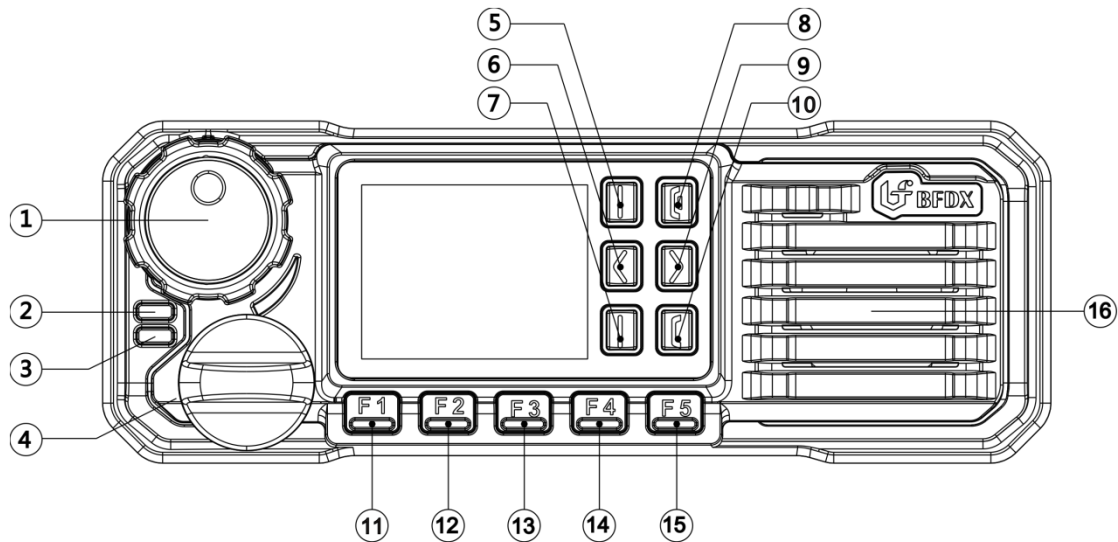
Replacing Fuses

If the fuse blows, determine the cause, then correct the problem. After the problem is resolved, replace the fuse. If newly installed fuses continue to blow, disconnect the power cable and contact your authorized dealer or an authorized service center for assistance.



Getting Acquainted

Front panel



1.Power switch/volume adjust key

Turn clockwise to switch the transceiver power on, turn counterclockwise fully to switch the transceiver off.

When the transceiver is turned on, rotate clockwise to increased volume, counter-clockwise to decrease the volume.

2.Receiving/Transmitting Indicator

When transmitting glows red, when receiving glows green

3.Microphone Jack

4.Return Key

5.Left key

6.MENU Key

7.Hang Up Key

8.Right Key

9.Call Key

10.F1 Programmable Key F1

Press to activate the programmable function. (The detailed consult to basic operation)

11.F2 Programmable Key F2

Press to activate the programmable function. (The detailed consult to basic operation)

12.F3 Programmable Key F3

Press to activate the programmable function. (The detailed consult to basic operation)

13.F4 Programmable Key F4

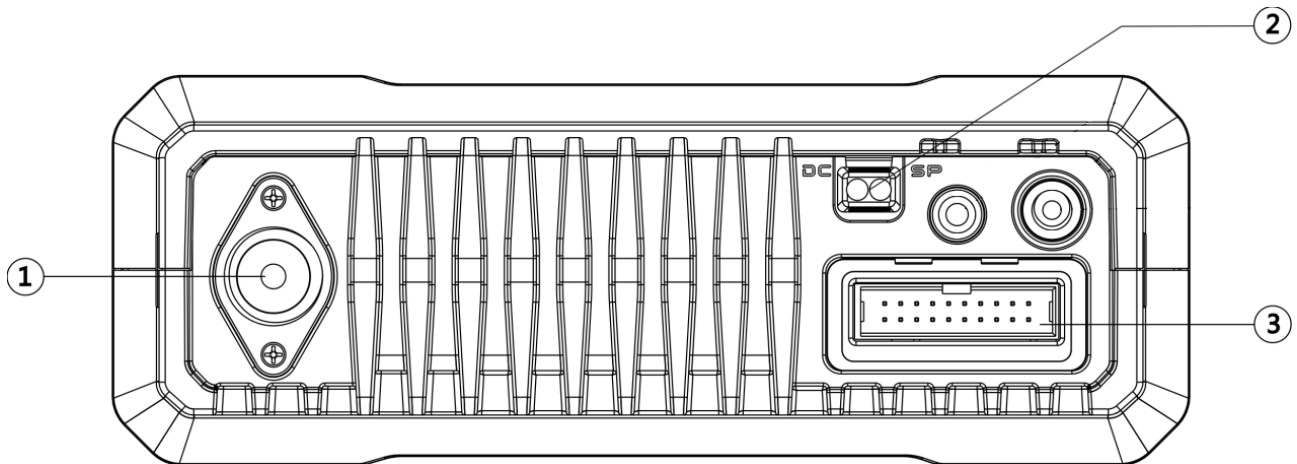
Press to activate the programmable function. (The detailed consult to basic operation)

14.F5 Programmable Key F5

Press to activate the programmable function. (The detailed consult to basic operation)

15.Speaker

Rear Panel



1. ANT

Connect an external antenna to this terminal. When making test transmissions, connect a dummy load in place of the antenna. The antenna system or load should have an impedance of 50 Ω .

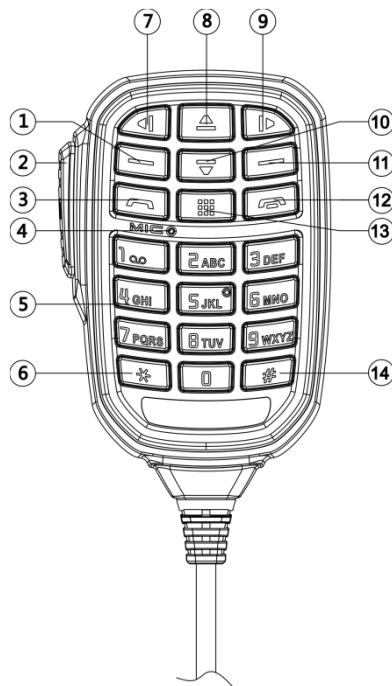
2. DC 13.8V

Connect to 13.8 V DC power.

3. PC Jack

To connect to PC, you must first connect the transceiver to your PC using an optional programming cable.

Microphone



1. Menu Key

Press to enter menu mode

2. PTT Key

Press and hold down the PTT key then speak into the microphone to transmit.

3. Call Key

Press to transmit default call

4. Microphone

5. Numeric key

6. * Key

When text editing to delete

7. Left Key

8. Up Key

To switch channel number up

9. Right Key

10. Down Key

To switch channel number down

11. Return Key

12. Hang Up Key

13. Manual Dial Key



14. #Key

When text editing to switch input method

Basic Operation

LCD Icons

	Signal Strength
	High/Low Power
	Emergency
	Digital Mode
	Analog Mode
	D/A Channel
	A/D Channel
	Missed Call
	Message Full
	Unread Message
	Connect to PC
	Keypad Lockout
	Disable all tone alert
	Talk Around/Direct Mode
	Duplex Mode
	Monitor/Permanent Monitor
	Roaming
	Recording normally
	Recording abnormally
	Analog Receiving
	ID Single ID
	ID Group ID
	ID All ID
	Root Menu
	Contact Menu
	Scanning Menu
	Text Message Menu
	Zone Menu
	Call Log Menu
	Setting Menu
	Read Message
	Unread Message
	Outbox message send successfully
	Outbox message send Failed
	The First Priority Scanning Channel
	The Second Priority Scanning Channel
	Confirm

	Return
	Selected

Turning the power on off

Rotate the power switch/volume adjust keys clockwise to turn the power on, an audio voice prompt the current channel name.

Rotate the power switch/volume adjust keys anti-clockwise to turn the power off.

Note: If you active power on password function via program software, each time you turn on transceiver, must be enter 6 digit passwords correctly, when 3 times wrong in input password continuously, after it transceiver must be kill, only reprogram it then device work normal. Please enable power on password with due care.

Adjusting the volume

After the transceiver is power on, you can rotate the power switch/volume adjust keys to adjust the volume level, rotate the knob clockwise to increase the volume, or rotate the knob anti-clockwise to decrease the volume.

Selecting a Zone

The radio supports up to 50 zones, each with a maximum of 16 channels, 50 zones all support up to 160 channels. You may select a desire zone through enter zone menu then handover zone.

Note: Press programmable key “Zone UP” or “Zone Down” to select zone.

Selecting a Channel

Press Up Key to increase the channel number or press Down Key to decrease channel number. While voice indication is on, selecting a channel will prompt channel name, if the current channel is invalid will sound a long beep.

Note: Press programmable key “Channel UP” or “Channel Down” to select channel.

Button Setting

For enhanced convenience, you may program the button1~ 5, short and Long press of a key can be assigned with different functions.

Programmable keys are including functions listed below:

1. Unassigned : This key is not assigned with any function.
2. One Touch Call 1~6 : Allow user to initiate digital group call, digital private call, call alert or send preset message via the one touch call function. Service on the analog channel, to make a call to the 2-Tone, 5-Tone or DTMF contact.
3. Manual dial : You can manually input the private call number for calling.
4. Emergency Open: To enter emergency mode.
5. Emergency Off: To exit emergency mode.
6. Monitor On/Off: To enable or disable monitor function
7. Permanent Monitor On/Off: To enable or disable permanent monitor function.
8. Backlight On/Off: Quick switch backlight mode.
9. Keypad Lock On/Off: To lock the keypad quickly
10. Scan On/Off: To enable or disable scan function quickly
11. All Alert Tones On/Off: To enable or disable all tones quickly.
12. Record On/Off: To enable or disable record quickly
13. Message Menu: Quick access to short message
14. Zone Selection Menu: Quick access to Zone Selection.
15. Address List Menu: Quick access to Contact Menu.
16. Recording Menu: Quick access to Recording Menu
17. Remote Enable: Quick access to Remote Enable Menu.
18. Remote Disable: Quick access to Remote Disable Menu.
19. Remote Check: Quick access to Remote Check Menu.
20. Remote Monitor: Quick access to Remote Monitor Menu.
21. High/Low Power: To switch High/Low Power quickly.
22. Repeater/Talkaround: To enable or disable talk around quickly
23. Zone Up: Quickly select a zone, zone number is increase.
24. Zone Down: Quickly select a zone, zone number is decrease.
25. Channel Up: Quickly select a channel, channel number is increase.
26. Channel Down: Quickly select a channel, channel number is decrease.
27. Cannel Call: On analog channel, press it to cancel analog signaling transmit or exit automatically reset mode.
28. Site Lock/Unlock: Quickly to enable or disable lock site function.
29. Manual Site Roam: Quickly to search the available site manually.

Calls on digital channel

On digital mode, you can transmit a private call, group call or an all call. To transmit press and hold down the PTT key, LED indication glows red, speak into the microphone, hold the palm microphone approximately 3 to 4 centimeters away from your mouth.

Group Call

- (1) If you preset a group call contact for current digital channel. Press PTT key to transmit a group call;
- (2) Enter Contacts menu to select the group call number you want to call, then press PTT key to transmit a group call;
- (3) You can set the One Touch Call key as group call feature, then press programmed key to transmit a group call.

Private Call

If the feature “private call ACK” is enabled, to transmit a private call need to confirm whether it is power on or activate on the current channel.

- (1) If you preset a private call contact for current digital channel. Press PTT key to transmit a private call;
- (2) Enter Contacts menu to select the private call number you want to call, then press PTT key to transmit a private call;
- (3) Enter Contacts menu and go to manual dial menu or press programmed “Manual Dial” key, input a private call number you want to call, then press PTT key to transmit;
- (4) Enter Call Log menu to select the private call number you want to call, then press PTT key to transmit a private call;
- (5) You can set the One Touch Call key as private call feature, then press programmed key to transmit a private call.

All Call

- (1) If you preset an all call contact for current digital channel. Press PTT key to transmit an all call;
- (2) Enter Contacts menu to select the all call number you want to call, then press PTT key to transmit an all call;

Receiving and responding to a call

On digital channel, while a private call is received, you may press the PTT key within the preset time period to call back. If you do not respond to a received private call within the preset time period, the radio will display the missed call icon; while a group call is received, you may press the PTT key within the preset

time period to call back. while an all call is received, you can't respond to an all call.

Note: While enable channel free indication feature, if the transmitter release PTT key will with a tone.

Calls on digital channel

On analog channel, if current channel isn't attach to signaling, press PTT key to transmit directly; if the RX SQL mode of receiver is set as carrier or CTCSS, after decode successfully, the icon of RSSI and speaker appears, user can receive audio. If current channel is attach to signaling, press PTT key the radio displays signal sending. When "Outgoing" appears, you can speak into the microphone to transmit. The RX SQL mode of receiver is set as "Optional Signaling", "CTCSS and Optional", "CTCSS or Optional", after decode successfully, the radio displays "Receiving Signal Call" and the icon of RSSI and speaker appears, user can receive audio.

Calls on Compatible Channel

On digital compatible analog channel press PTT key, if is not within hang time to transmit digital call, within the preset time period to call back; On analog compatible digital channel press PTT key, if is not within hang time to transmit analog call, within the preset time period to call back. While receiving, the radio detect digital and analog signal (is must attach to CTCSS/CDCSS) simultaneously, if detected matching signal, within the preset time period to call back.

Functions and Operations

Contacts

On the DMR contacts, you can view address list members, add new contacts, manual dialing.

1. Group Call

While the contacts type as group call, you can select the menu to view its ID or send message.

- Details: View ID of a group call contact.
- Send SMS: It's convenient to send message.

2. Private Call

While select a contact as private call, a private call can view its detail, send message, send call alert, send device check, send remote monitor, disable or enable, edit name or number, or delete.

- Details: View ID of a private call contact.
- Send SMS: It's convenient to send message.
- Call Alert: Call alert is used for prompting the private receiver; ask them respond to transmitter if communication is available. While receiving call alert command the radio will generate alert tone.
- Device Check : This function can check if the target radio is active in the system while don't send any tone alert to the target device.
- Remote Monitor: Allow a user to send a "Remote Monitor" request to the target device via menu. If the request is successful, you can enable the microphone of the target radio, and monitor its activities. Only the target radio is set remote monitor decode, that enable monitor its activities.
- Device enable : Allow a user to send "Device enable" command to the target killed device, to allow it to be used normally.
- Device Disable: Allow a user to send "Device Disable" command to the target device via menu. If the device is lost or stolen, a user can use this function to disable the device. However, this device will continue monitoring air interface to receive its "Device Enable" command.
- Edit Name: Modify the name of a private call contact. Press” *” key to delete, press “#” to switch input method, name input 16 characters at most.
- Edit No: Modify the number of a private call contact, the available number range is 1~16776415.
- Delete: Delete unwanted contacts from the address list, if private call contact is set as channel default address or call number on one touch call, its unable to delete.

3. All Call

While the contacts type as all call, you can select the menu to view its ID or press PTT to call.

4. New Contact

You can add a private call contact to the contact list. First input number, the available number range is 1~16776415. Then input name, when edit name, press” * ” key to delete, press “#” to switch input method, name input 16 characters at most;, After add a private call contact successfully, on contacts list will show new contact.

5. Manual Dial

You can manually input the private call number for calling or sending message, send call alert, device check, remote monitor, device enable, device disable.

Scanning

1. Scan On/Off

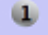
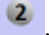
While current channel add scan list and the list contain 2 channels at least, you may enable the feature. Scanning allows the device to search the scan list connected to the current channel to locate qualified channel for receiving or voicing. During scanning, the icon “Z” flashes, when activities are detected on a channel, the radio will stay on the channel to receive current activities. To exit the scanning process, enter scan menu, switch channel or press the programmed Scan On/Off key.

Note :

- If the channel enables the feature “Auto Scan” via the programming software, switch to the channel will enter scanning automatically;
- While programmable button programmed as Scan on/off, press it to enable scan feature.

2. View/Edit List

Allow a user to view/edit the scan list via menu, user can view members of the scan list, or edit priority of members; Also allow a user to add a new member to the scan list, the list contain 16 channels at most. Delete menu will remove a member from the scan list.

Note: If the channel is set as scanning priority channel, on the right of the scan list appears icon:  or .



Zone

The transceiver supports up to 50 zones, each of zone supports 16 channels, totally 160 channels supported. Enter “Zone” menu to select a desired zone. On programming software, the members’ channel of zone is the valid channel.

Note: Only contain 2 zones at least, the zone menu is visible.

Text Message

1. Inbox

The Inbox can save up to 50 received messages. Inbox the unread message displays: , read message displays: . For each message, you can choose to perform any of these operations: Reply, Forward, Delete or view date and time. Delete All will remove all messages on inbox.



2. Write

You can edit desired text message(140 characters at most) and send it to an private call contact or group call contact, when editing a message, press “# ”key for switching input method, press “*” key for deletion and modification, press left or right key to switch input cursor. For non-numeric input method, key “1” is a symbol key. Key “0” is a space key. After the message is edited, you can select a contact from the address list which the message is sent to or manually dial a number to send to.

3. Preset Text

Via programming software, user can save 10 entries text messages and each of a message contains 140 characters at most on preset SMS. You can choose to edit and send any entry.

4. Outbox

Enter outbox menu, you can view the message is sent successfully or failed, outbox can save up 20 sent messages. If sent message is successful displays , you can choose to forward, delete it or view date and time; if sent message is failed displays , you can choose to resend, forward, delete or view date and time. Delete all will remove all messages on outbox.

Call Log

1. Missed Call

The missed calls list can save up to 20 entries, when the memory for call logs is full, the oldest entry will be deleted automatically. You can add it to contact list or delete it. Delete All will remove all missed calls.



2. Answered Call

The answered calls list can save up to 20 entries, when the memory for call logs is full, the oldest entry will be deleted automatically. You can add it to contact list or delete it. Delete All will remove all answered calls.

3. Outgoing Call

The outgoing calls list can save up to 20 entries, when the memory for call logs is full, the oldest entry will be deleted automatically. You can add it to contact list or delete it. Delete All will remove all outgoing calls.

Recording


While activated voice recorder, it will continuously record all transmitted and received signals. There are 2 Rec modes available: compress or uncompress the compress mode can reduce memory but uncompress mode can make the quality of audio excellent. While recording on and work normally indicate by: , if recording mode work abnormally indicate by: . On Voice Records menu input date can view or play the voice memo. For 30 minutes recording a voice memo, the suffix of memo as 0 represents uncompress, 1 represents compress. While terminal switches to U-Disk mode, the voice memos can download to PC to play.

Note: On digital channel, if the work mode is duplex and transmitting private call, while enable recording feature, the record mode is enforcement of uncompress mode.


Setting

1. Settings

Allow a user to perform basic settings for the transceiver.

- **Talk Around:** When your repeater malfunctions, or when radio is out of repeater's range, you can continue to communicate in talk around mode. While enable talk around feature, the screen displays:  ,By this time TX frequency the same as to RX frequency. If switch channel, enable scan feature or restart radio will disable the feature.
- **Tone/Alerts:** To set tones for your radio, tone alerts include settings of all tones, call alert tone, SMS tone and keypad tone. If disable all tones, all alerts will be off except emergency tone.
- **TX Power :** Allow a user to change the power level, there are two levels available: high (indicated by H) and low (indicated by L).
- **Backlight:** To set the backlight parameters, you can select on or automatic,
- **Boot Interface:** Allow a user to enable or disable the boot screen via menu. If the Intro screen is

enabled, while the radio power on, the screen display BF Logo and device name; while the Intro screen is disabled, the screen only displays device name.

- Keypad Lock:** Allow a user to enable or disable keypad lock via menu. While Keypad locked indicate: , that you can't operate the keypad except PTT key and orange button, button 1 or button 2. Press "MENU" and " #" key to unlock.

- LED indicator:** To set whether to enable LED indication via menu. While disabled all indicator, the screen becomes dark and TX red indicator, Rx green indicator, scan orange indicator are off. Please use this function with due care.

- Squelch Level:** On the analog mode, this feature allows you to adjust the squelch level, you can set SQL1~9 or normally Open.

- Site Roaming:** Allow a user to enable lock site or unlock site and enable manual site roaming.

- Date and Time:** This option allows you to set the current date, week, time.

- Language:** The radio supports two languages: Chinese and English.

- Power-on Password:** If enable power-on password feature via programming software, you can modify the password by this menu. First you need input old password correctly, then input a new password twice the same, that will modify the password successfully.

Note: This menu is effective if power on password is set via programming software.

2. Device Info.

With this option, you can view the basic information of your radio, including device ID, firmware version, CP version, voice record version, real time clock.

- Real Time Clock:** To view the date, week and time.

Roam

This feature allows the radio communicate between available sites in the IP Site Connect system. If enable, the radio can communicate via any site in the IP Site Connect system, thus ensuring seamless communication in the system. The radio supports start roam automatically and site roam manually.

Note: allows the user to associate one of a scan list or roam list to the current channel, but can't enable both feature at the same time.

Emergency

Digital Emergency

In case of an emergency you can enter emergency mode to ask for help, for each emergency mode, there are three emergency types and three emergency modes available.

Emergency Type:

Regular: In emergency mode, the radio will give audible and visible indication;

Silent: In emergency mode, the radio won't give any audible or visible indication;

Silent with Voice: In emergency mode, the radio won't give any audible or visible indication, but will receive voice.


Emergency Mode:

Alarm: In this mode, you can send alarm information, while receive ACK or reach the maximum retries will exit emergency mode.

Alarm with Call: You can press programmed" Emergency On/Off" key to send emergency information, then press PTT to transmit an emergency call.

Alarm with voice to follow: You can press programmed" Emergency On/Off" key to send emergency information, then you can speak into the microphone, allowing your voice and background noise be transmitted automatically as you do not to press PTT key.


1. Send Emergency Alarm

If the current channel adds emergency system and the current channel as the emergency revert channel, press the programmed "emergency on/off" key to send alarm information, LED indicator glows red, the radio displays icon  as "regular" type.

2. Exit emergency mode

If choose regular type and emergency alarm mode, after send emergency information then receive ACK command or the alarm cycles expire, the radio will exit the emergency mode automatically. And long press the programmed emergency key to exit the emergency mode; If choose silent or silent with voice type, press PTT key or long press programmed emergency key to exit the emergency mode.

3. Receive Emergency Information

When the feature" emergency alarm indication" is enable, if received emergency information, the radio displays icon , the transmitter's ID and name, an alarm tone will sound. To exit the

emergency mode, long press the programmed emergency key.

Analog Emergency

You can use the feature to transmit emergency information to others, the receiver will sound alarm tone.

Emergency Type:

Only Whistle: The radio will sound alarm tone locally;

Regular: The radio will give visible and audible indication, and allow to transmit alarm signal reports, alarm audio and emergency call.

Silent: The radio won't give any audible or visible indication, and disable speaker output while receive any signal.


Silent with voice: The radio won't give any audible or visible indication, but will receive voice.

Emergency Mode:


Alarm: Only allow send emergency alarm, but prohibit pressing PTT to transmit audio;

Alarm with Call: Only allow send emergency alarm, and allow press PTT to transmit audio at any time.

1.Send Emergency Alarm

On analog channel, if the alarm signaling type is set as 5-Tone or DTMF, press the programmed "Emergency On" key to send emergency signaling, the radio display icon  and text information "Alarm Signaling Sending"; if send emergency information, the radio display text information "alarm sending". Long press the programmed "Emergency Off" key to exit emergency mode.

2.Send Emergency Alarm and Call

Allow user to send emergency information to others, and then you can transmit emergency call. if the alarm signaling type is set as 5-Tone or DTMF, press the programmed "Emergency On" key to send emergency signaling, the radio display icon  and text information "Alarm Signaling Sending"; if send emergency information, the radio display text information "alarm sending". If "Automatic Emergency Call" is enabled via the programming software, the radio display "Alarm calling", you can speak into the microphone to transmit emergency call. Long press the programmed "Emergency Off" key to exit emergency mode.

3.Receive Emergency Information

While receiving analog signal, the decode type of receiver is emergency call, after decoding successfully, the radio displays: "Receiving Signal Alarm Call".

Analog Signaling

2-Tone Signaling

2-Tone Contact

While users set 2-Tone signaling type for the current channel, the 2-tone contact supports a maximum of 32 2-Tone call list, on the menu of 2-Tone contact, you can select one of the contacts to send.

Send 2-Tone Signaling

On analog channel, press the programmed “one touch call” key to send 2-tone signaling, the radio display:”Two tone signaling sending”, if sent success, the displays: signal sent.

Receive 2-Tone Signaling

Allow the user define the call type of the 2-tone system as “Alert Call”, “Alert Call with Voice”, or “Select Call”. While received signaling and match with decode format, the radio displays the call type and an alert tone will sound.

5-Tone Signaling

5-Tone Contact

While users set 5-Tone signaling type for the current channel, the 5-tone contact supports a maximum of 200 5-Tone call list, on the menu of 5-Tone contact, you can select one of the contacts to replace the address code of decoding sequence and encoding sequence.

Send 5-Tone Signaling

On analog channel, press the programmed “one touch call” key to send 5-tone signaling, the radio display:”Five tone signaling sending”, If checked the “Expect Reply” via the programming software, the call is deemed successful if ACK is received from the other party; if uncheck the “Expect Reply” via the programming software, A transmission is deemed successful after signaling is transmitted, no matter whether the other party receives it or not.

Receive 5-Tone Signaling

Allow the user define the call type of the 5-tone system as “Common Call”, “Emergency Call”,

“Swoon”, ”Disable”, “Enable”, ”Check”, ”Call Alert”, ”ACK”. The decoding is successful while received signaling and match with decode type.

DTMF

DTMF Contact

While users set 5-Tone signaling type for the current channel, the contact list includes a total of 200 items. On the menu of DTMF contact, you can select one of the contacts to replace the address code of decoding sequence and encoding sequence.

Send DTMF

On analog channel, press the programmed “one touch call” key to send DTMF signaling, the radio display:”DTMF signaling sending”, If checked the “Expect Reply” via the programming software, the call is deemed successful if ACK is received from the other party; if uncheck the “Expect Reply” via the programming software, A transmission is deemed successful after signaling is transmitted, no matter whether the other party receives it or not.

Receive DTMF

Allow the user define the call type of the 5-tone system as “Common Call”, “Emergency Call”, “Swoon”, ”Disable”, “Enable”, ”Check”, ”Call Alert”, ”ACK”. The decoding is successful while received signaling and match with decode type.

Voice Encryption

The voice encryption can encrypt your audio signals to guarantee the privacy of your communication, via the programming software user can select encryption type as static or dynamic. If the encrypt feature is enabled, the transmitter and receiver will be set as the same encryption type and same encryption key, otherwise the receiver is mute.

Reject Stranger Call

On digital mode, if enable reject strange call feature, while the call ID not exist in the contacts list, it’s unable to transmit or receive. When received group call or all call, the device ID of

transmitter and group call ID or all call ID must be preset on address list.

Direct Mode

If enable DMO feature via the programming software, the radio work in DMO mode, in DMO mode, the channel of different RX/TX frequency works in talk around mode.

Note: User must check DMO feature via the programming software for both the transmit side and the receive side, and the TX frequency of radio A must be set the same as the RX frequency of radio B, the RX frequency of radio A must be set the same as the TX frequency.

Compander

The compander can be enabled only for analog channel, transmitted signals are compressed before being sent and received signals are expanded when they receive. This background feature allows higher clarity of signals, avoiding excessive noise.

Scrambler

The scrambler can be enabled only for analog channel, scrambler is used for encrypted audio, via programming software checked frequency interference enable, and set the value of scrambler. User must set the same value of scrambler for both the transmit side and the receive side.

Time Out Timer (TOT)

The purpose of TOT is to prevent any user occupy a channel for an extended period. If a channel is busy, the time will be shorter. If the preset time expires, the radio will generate beep and terminate transmission automatically. Via programming software, you can set TOT as 15-495 second.

TX Permission

Digital Channel

This feature can restrict the channel if it is already in use you will be unable to transmit. There

are three options available: always, color code free, channel free, if choose always, whenever press PTT key to transmit directly; If choose color code free, you will be unable to transmit on the channel if the color code is already in use; If choose channel free, you will be unable to transmit on the channel if it is already in use. If the channel is busy, press PTT key a warning tone will sound.

Analog Channel

This feature can restrict the channel if it is already in use you will be unable to transmit. There are three options available: off, carrier, CTCSS/CDCSS, if choose Off, whenever press PTT key to transmit directly; If choose carrier, you will be unable to transmit on the channel if the channel is being used by others; If choose CTCSS/CDCSS, you will be unable to transmit on the channel if it is already in use and the CTCSS/CDCSS code in use. If the channel is busy, press PTT key a warning tone will sound.

CTCSS/CDCSS

On analog channel and compatible channel (digital and analog channel), you can set unique CTCSS/CDCSS to guarantee the privacy of your communication, on digital compatible analog channel or analog compatible digital channel, is must attach to CTCSS/CDCSS. If CTCSS/CDCSS has been set on the current channel, CTCSS/CDCSS match is required for the radio to receive an incoming signal.

●RX CTCSS/CDCSS Type:

Only when receiver receives a call containing matching decode, you can hear the call; you can select tone type as: CTCSS, CDCSS or Reverse CDCSS.

●TX CTCSS/CDCSS Type:

Signal that you transmit will only be heard by parties whose CTCSS/CDCSS signaling matches your transceiver; you can select tone type as: CTCSS, CDCSS or Reverse CDCSS.

Note : The device approves of non-standard code, you can input non-standard code as you need.

CTCSS Frequency Table

CTCSS No.	Freq. [Hz]	CTCSS No.	Freq. [Hz]	CTCSS No.	Freq. [Hz]	CTCSS No.	Freq. [Hz]
1	67.0	11	94.8	21	131.8	31	186.2
2	69.3	12	97.4	22	136.5	32	192.8
3	71.9	13	100.0	23	141.3	33	203.5
4	74.4	14	103.5	24	146.2	34	210.7
5	77.0	15	107.2	25	151.4	35	218.1
6	79.7	16	110.9	26	156.7	36	225.7
7	82.5	17	114.8	27	162.2	37	233.6
8	85.4	18	118.8	28	167.9	38	241.8
9	88.5	19	123.0	29	173.8	39	250.3
10	91.5	20	127.3	30	179.9		

CDCSS Standard Code Table

CDCSS NO.	Positive Code	Negative Code	CDCSS NO.	Positive Code	Negative Code	CDCSS NO.	Positive Code	Negative Code
1	D023N	D023I	29	D174N	D174I	57	D445N	D445I
2	D025N	D025I	30	D205N	D205I	58	D464N	D464N
3	D026N	D026I	31	D223N	D223I	59	D465N	D465N
4	D031N	D031I	32	D226N	D226I	60	D466N	D466I
5	D032N	D032I	33	D243N	D243I	61	D503N	D503I
6	D043N	D043I	34	D244N	D244I	62	D506N	D506I
7	D047N	D047I	35	D245N	D245I	63	D516N	D516I
8	D051N	D051I	36	D251N	D251I	64	D532N	D532I
9	D054N	D054I	37	D261N	D261I	65	D546N	D546I

10	D065N	D065I	38	D263N	D263I	66	D565N	D565I
11	D071N	D071I	39	D265N	D265I	67	D606N	D606I
12	D072N	D072I	40	D271N	D271I	68	D612N	D612I
13	D073N	D073I	41	D306N	D306I	69	D624N	D624I
14	D074N	D074I	42	D311N	D311I	70	D627N	D627I
15	D114N	D114I	43	D315N	D315I	71	D631N	D631I
16	D115N	D115I	44	D331N	D331I	72	D632N	D632I
17	D116N	D116I	45	D343N	D343I	73	D654N	D654I
18	D125N	D125I	46	D346N	D346I	74	D662N	D662I
19	D131N	D131I	47	D351N	D351I	75	D664N	D664I
20	D132N	D132I	48	D364N	D364I	76	D703N	D703I
21	D134N	D134I	49	D365N	D365I	77	D712N	D712I
22	D143N	D143I	50	D371N	D371I	78	D723N	D723I
23	D152N	D152I	51	D411N	D411I	79	D731N	D731I
24	D155N	D155I	52	D412N	D412I	80	D732N	D732I
25	D156N	D156I	53	D413N	D413I	81	D734N	D734I
26	D162N	D162I	54	D423N	D423I	82	D743N	D743I
27	D165N	D165I	55	D431N	D431I	83	D754N	D754I
28	D172N	D172I	56	D432N	D432I			

Specifications

General	
Frequency Range	UHF:400-470 MHz
Zone Capacity	50
Channel Capacity	160
Channel Spacing	12.5K
Operating Voltage	DC 13.8V(±20%)
Frequency Stability	±1.5ppm
Antenna Impedance	50Ω
Dimensions	175 (L) *175 (W) *63(H) mm
Weight	1435g
Transmitter	
RF Output Power	UHF High Power : 25W UHF Low Power : 10W
4FSK Modulation	Only Data : 7K60FXD , Data and Audio:7K60FXE
FM Modulation	12.5 kHz : 8K50F3E ;
Modulation Limiting	+/- 2.5kHz @ 12.5kHz;
FM Noise	-40dB
Conducted Emission	-36 dBm≤1GHz/-30 dBm≥1GHz
Adjacent Channel Power	≤-60dB
Audio Response	+1/-3 dB
Audio Distortion	3%
Digital Voice coder Type	AMBE+2™
Receiver	
Digital Sensitivity	5% BER : 0.25 uV

Analog Sensitivity	0.25 uV (12 dB SINAD)
Intermodulation	65 dB
Adjacent Channel Selectivity	60 dB
Spurious Response Rejection	70 dB
FM Noise	-45 dB
Audio Response	+1/-3 dB
Audio output power	3W(Speaker)
Audio Distortion	3%(Typical)
Conducted Spurious Emission	-57dBm
TTFF (Time To First Fix) Cold Start	< 1minuter (with well signal)
TTFF (Time To First Fix) Hot Start	< 10 Second (with well signal)
Environmental Specifications	
Operating Temperature	-30°C—+50°C
Storage Temperature	-30°C—+50°C
Humidity	MIL-STD-810C/D/E/F
Vibration & Shock	MIL-STD-810C/D/E/F

Statement

Our Company endeavors to achieve the accuracy and completeness of this manual, if you have any question, you can contact with us, we will make a detailed answer to you in time. All the above specifications and design are subject to change without prior notice due to continuous development.