

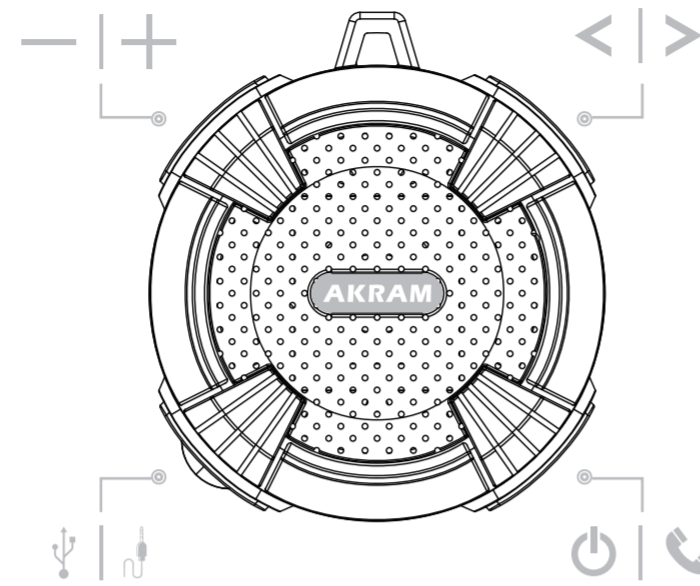
China Electronics Shenzhen Company

Bluetooth speaker

Q3

Quick Start Guide & User Manual

PRODUCT FEATURE



FEATURES



PORTABLE WIRELESS SPEAKER



3 HOURS PLAYBACK TIME



IPX6 WATER RESISTANT



DUST RESISTANT



PREMIUM LOUDSPEAKER



UNIVERSAL COMPATIBILITY



SHOCK RESISTANT



BUILT-IN MIC FOR HANDS-FREE CALLING

IN THE BOX

- Q301 HD WIRELESS MINI SPEAKER
- MICROUSB CABLE
- SUCTION CUP
- CAMPING SNAP HOOK
- USER GUIDE

KEY DEFINITIONS



Press to go to the previous soundtrack.



Press to go to the previous soundtrack.



Press to increase the volume



Press to decrease the volume



Press to power on/off



Press once to play music or take incoming call. Double click to redial the last number.

RECHARGING THE DEVICE

The Bluetooth speaker is powered by a built-in rechargeable lithium battery that can be operated by the following steps

1. Release the USB charging port cover.
2. Connect the USB charging cable to a standard USB charging port such as computer or USB charger from the USB socket on Q301. Please recharge the battery for 2 hours prior to initial use.

OPERATING INSTRUCTIONS

To enter to the pairing mode, first be sure that Q3 is in power off mode. Press and hold the on/off button on Q3 for 6 seconds until the LED light blinkds in blue rapidly.

Activate the wireless device search function from the media players such as smartphone, tablets, or music players. Choose device name "AKRAM-Q3" from the list of wireless devices discovered and pair with the media player. Enter password "0000" if applicable.

TROUBLE SHOOTING

Symptoms	Q3 cant be powered on	Not able to pair w/ the speaker	Volume too low
Causes	Low battery level	Q301 is already on or not to the pairing mode	Battery is not charged up or Volume is not set to the maximum on Q301 & media player
Solutions	Recharge the battery	Refer to "Bluetooth pairing section" in the previous page	Increase the volume via press & hold the volume up button on Q301. Increase the volume on the Media Players.

This equipment has been tested and found to comply with the limits for a Class B digital device, pursuant to part 15 of the FCC Rules. These limits are designed to provide reasonable protection against harmful interference in a residential installation. This equipment generates, uses and can radiate radio frequency energy and, if not installed and used in accordance with the instructions, may cause harmful interference to radio communications. However, there is no guarantee that interference will not occur in a particular installation.

If this equipment does cause harmful interference to radio or television reception, which can be determined by turning the equipment off and on, the user is encouraged to try to correct the interference by one or more of the following measures:

- o Reorient or relocate the receiving antenna.
- o Increase the separation between the equipment and receiver.

SPECIFICATION

- Wireless 4.2 + EDR
- Playback time: Up to 3 hours
- Charging time: Approx. 2-3 hours
- Connection range: 33 feet
- Transmitting frequency: 2.4GHz
- Battery: 3.7V 500mAh lithium battery
- Unit weight: 165g
- Dimension : 2" (thickness without suction cup) x 3.4" (diameter)
- Waterproof level: IPX6

- o Connect the equipment into an outlet on a circuit different from that to which the receiver is connected.
- o Consult the dealer or an experienced radio/TV technician for help.

Caution: Any changes or modifications to this device not explicitly approved by manufacturer could void your authority to operate this equipment.

This device complies with Part 15 of the FCC Rules. Operation is subject to the following two conditions:(1) this device may not cause harmful interference, and (2) this device must accept any interference received, including interference that may cause undesired operation.
Made in China

SAFETY INSTRUCTIONS

Keep the product out of reach of children. Do not use the speaker at excessive volume level as it may damage hearing.

Do not expose batteries or battery pack to excessive heat, such as direct sunlight or open flame.

This device may not cause harmful interference, and this device must accept any interference received, including interference that may cause undesired operation.

Keep the unit away from heat sources direct sunlight, humidity, water and any other liquids. Do not operate the unit if it has been exposed to water, moisture or any other liquids to prevent electric shock, explosion and/or injury to yourself and damage to the unit.

Do not use the unit if it has been dropped or damaged in any way. Do not puncture or disassemble the exterior surface of the product in any way. Keep the unit free from dust, lint, .. etc. Do not use this unit for anything other than its intended use or purpose.

The device has been evaluated to meet general RF exposure requirement. The device can be used in portable exposure condition without restriction.