

MD1U Bluetooth Speaker

Art. No.: T-1D

Features and Specifications

- Main Device Parameters
- Output Power: 12W*2
- Frequency Response: 80Hz-16kHz
- RMS: 24W(THD=10%)
- Driver: 3"*2
- Power Supply: DC 5V 2000mA
- Distortion: $\leq 0.5\%$
- S/N: $\geq 65\text{dB}$
- Battery Capacity: 7.4V 2200mAh
- Battery Play Time: 4—5 hours
- Battery Charging Time: 4—5hours
- Product Size: L260*W150*H150mm
- Product Weight: 2100g

Package Contents

1. Speaker
2. User Manual
3. Adapter DC5V 2A
4. 3.5mm Audio Cable

Charging the Speaker

Before using the speaker for the first time charge it for at least 24 hours.

1. Plug the adapter with the USB cable into the charging socket of the speaker. Plug the other end of the adapter into a wall outlet. The red LED indicator on the speaker will light up and your speaker will start charging.
2. The red LED turns on to indicate that the unit is charging.
3. Once fully charged, the red LED turns off.
4. Under "ON", the red light will be off when charging.

Pairing the Device

1. Place speaker within 30ft of the Bluetooth-enabled device.
2. Slide the ON/OFF button to ON. The blue LED flashes 3 times slowly, then flashes quickly to indicate Bluetooth pairing mode.
3. Follow the instructions of your device to search for the speaker.

4. The speaker is called "TEWELL T-1D." If a PIN is required, enter "0000."
5. The blue LED flashes when pairing is complete.

Basic instructions

To turn the speaker on, press the ON/OFF button to ON.

The speaker beeps and a blue LED flashes slowly.

The blue LED stays on when playing music.

When the battery is low, the machine indicates "beep" with intervals every 1 minutes

LED indicator

Charging: Red LED on (the speaker off)

Fully Charged: Red LED off

Pairing Mode: Blue LED flashes quickly

Connected: Blue LED on

Playing: Blue LED on

Safety information

To reduce the risk of electric shock, do not attempt to disassemble the device.

Do not use this product in an aircraft or in a hospital.

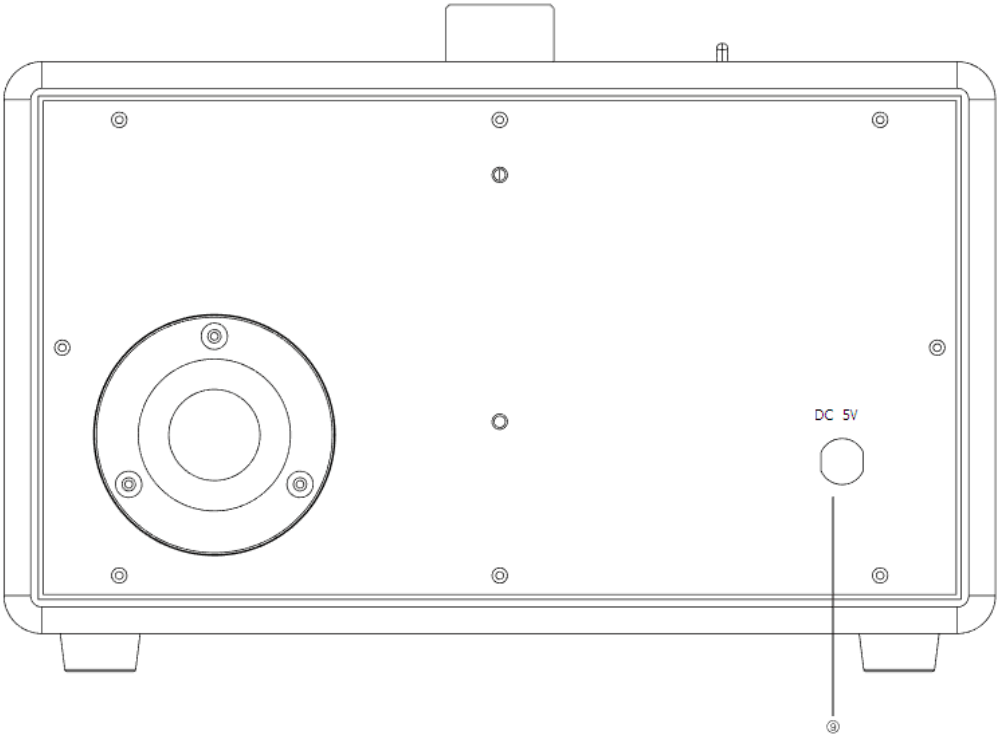
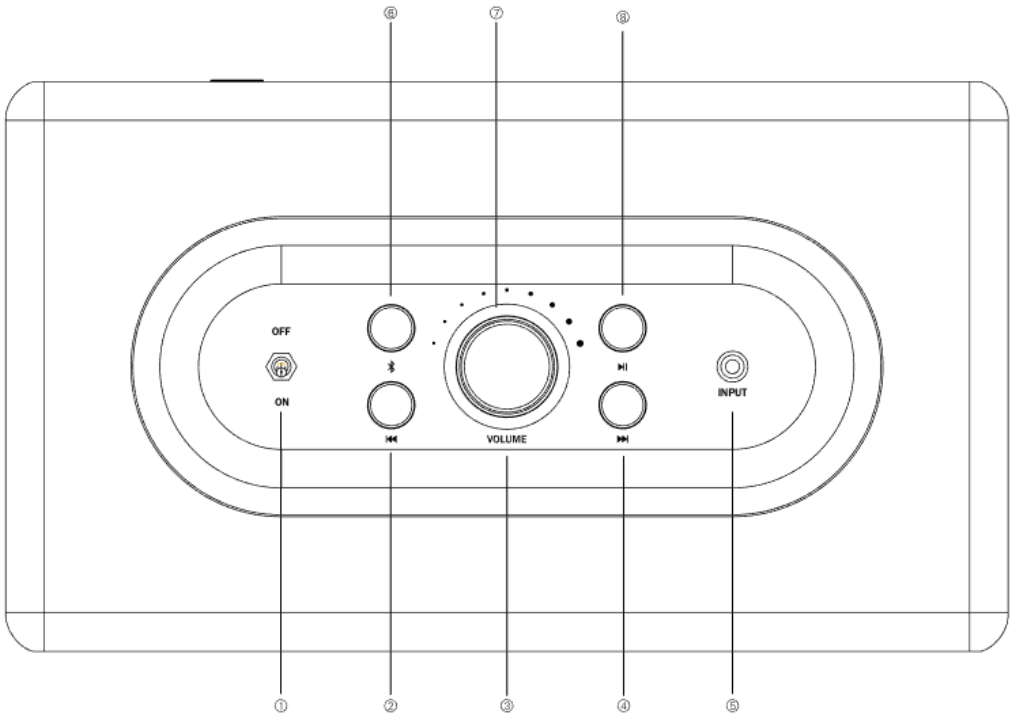
Do not expose the device to direct sunlight, heat or flame.

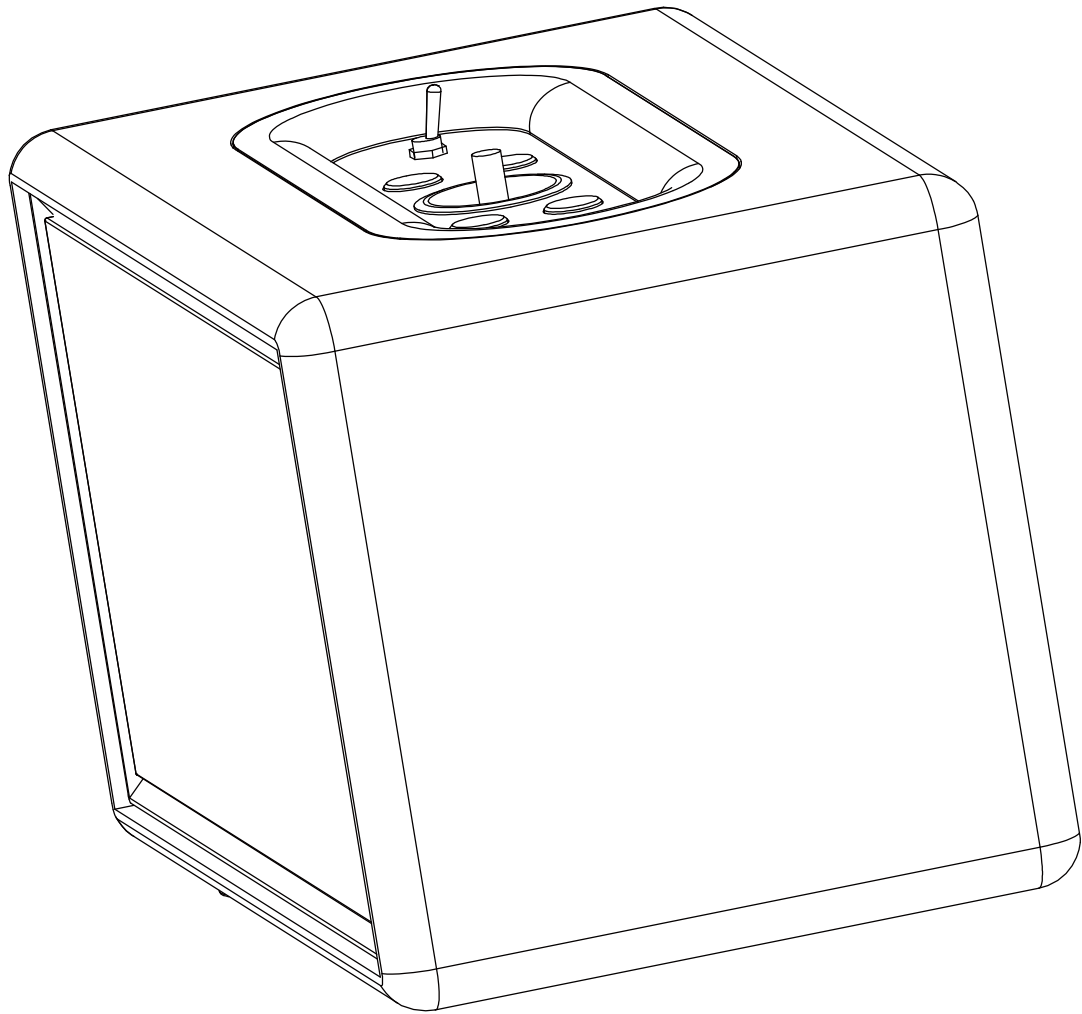
The device may become warm while charging.

Caution

- Any changes or modifications not expressly approved by the party responsible for compliance could void the user's authority to operate this equipment.
- This device and its antenna(s) must not be co-located or operated in conjunction with any other antenna or transmitter.

Speaker button functions





1. Power On/Off
Press the ON/OFF button, the unit ON/OFF.
2. Last song:
Press quickly for last song.
3. Volume up /down:
Rotate the switch and adjust volume
4. Next song:
Press quickly for next track.
5. 3.5mm audio input (line-in)
6. Bluetooth
Press the button, Switch Bluetooth and aux-in input,
Press and hold the button under Bluetooth made to enter to Bluetooth free pairing.

7. LED Red/Blue

8. Play/Pause

When playing music, press the button to pause or play. Press and hold to unpair the current device.

9. DC IN

DC5V 2A

Made in China

Warning Statement

This equipment has been tested and found to comply with the limits for a Class B digital device, pursuant to part 15 of the FCC Rules. These limits are designed to provide reasonable protection against harmful interference in a residential installation. This equipment generates, uses and can radiate radio frequency energy and, if not installed and used in accordance with the instructions, may cause harmful interference to radio communications. However, there is no guarantee that interference will not occur in a particular installation. If this equipment does cause harmful interference to radio or television reception, which can be determined by turning the equipment off and on, the user is encouraged to try to correct the interference by one or more of the following measures:

- Reorient or relocate the receiving antenna.
- Increase the separation between the equipment and receiver.
- Connect the equipment into an outlet on a circuit different from that to which the receiver is connected.
- Consult the dealer or an experienced radio/TV technician for help.

Caution: Any changes or modifications to this device not explicitly approved by manufacturer could void your authority to operate this equipment.

This device complies with part 15 of the FCC Rules. Operation is subject to the following two conditions: (1) This device may not cause harmful interference, and (2) this device must accept any interference received, including interference that may cause undesired operation.

The device has been evaluated to meet general RF exposure requirement. The device can be used in portable exposure condition without restriction.