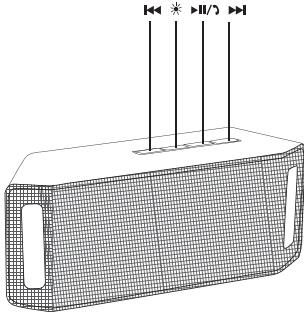


140mm

126mm

Bluetooth Speaker Instruction Manual 7199-67



WARNING:

This product has flashing lights that may cause a reaction for those who have photosensitive epilepsy.

Provided Contents:

- Lumi Bluetooth Speaker 7199-67
- Instruction Manual
- Micro-USB Charging Cable
- 3.5mm Audio Cable

1

Button Description:

- ▶||/◀ Single press to activate Play/Pause/Answer/Flash Modes
- ▶▶ Single press Next Track, hold and press to increase volume
- ◀◀ Single press Previous Track, hold and press to decrease volume
- * Single press to change from slow flashes, flashing with music, or flashing OFF.

Tech Specifications:

- Power Supply: DC5V
- Output Power: 3W (1KHz, THD 10%)
- Frequency: 200Hz-20KHz
- Impedance: 4Ω
- Speaker Driver Size: 40mm
- Product Size: 135 x 56 x 42mm

LED Description

Blue Quick Flashes: ON/Pairing
Blue Constant light: BT Connected
Blue Slow Flashes: Line-in Mode
Red: Charging

SAFETY INSTRUCTIONS:

- Charge the Lumi completely before first use.
- Do not attempt to repair. Seek professional consultation if speaker isn't working.
- Do not insert objects into speaker.
- Keep out of reach of children.
- Do not use near or around water as this could result in electrocution.
- Keep away from flame.

2

Modes [Bluetooth, Line-in, Charging]

1. Bluetooth Mode:

- When the device is powered ON, the Blue LED light flashes quickly indicating the speaker has entered pairing mode. Follow the instructions on your desired device, and select "LUMI" from the list. Once selected, you can now play audio from your device through the Lumi Bluetooth Speaker.

2. Line-in Mode:

- Connect the speaker to the desired device using the 3.5mm audio cable. Insert the cable to the Line-in input port on the speaker and the opposite end into your selected device. The Lumi will switch to speaker mode. Unlike the Bluetooth functions, you cannot use phone functions when directly connected to the device through the audio cable.

3. Charging Mode:

- To charge the Lumi Bluetooth Speaker, insert the Micro-USB end of the cable into the DC5V port on the speaker. Insert the opposite end into a computer USB port or a compatible wall adapter. The LED light will light up Red when charging.

Made in China

3

This device complies with Part 15 of the FCC Rules. Operation is subject to the following two conditions: (1) This device may not cause harmful interference, and (2) this device must accept any interference received, including interference that may cause undesired operation.

Caution: Changes or modifications not expressly approved by the party responsible for compliance could void the user's authority to operate the equipment.

NOTE: This equipment has been tested and found to comply with the limits for a Class B digital device, pursuant to part 15 of the FCC Rules. These limits are designed to provide reasonable protection against harmful interference in a residential installation. This equipment generates uses and can radiate radio frequency energy and, if not installed and used in accordance with the instructions, may cause harmful interference to radio communications. However, there is no guarantee that interference will not occur in a particular installation. If this equipment does cause harmful interference to radio or television reception, which can be determined by turning the equipment off and on, the user is encouraged to try to correct the interference by one or more of the following measures:

- Reorient or relocate the receiving antenna.
- Increase the separation between the equipment and receiver.
- Connect the equipment into an outlet on a circuit different from that to which the receiver is connected.
- Consult the dealer or an experienced radio/TV technician for help.