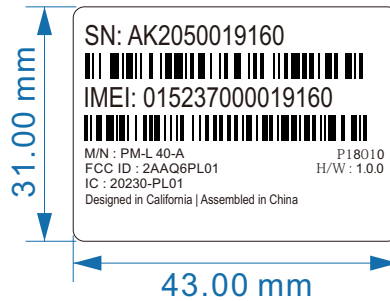
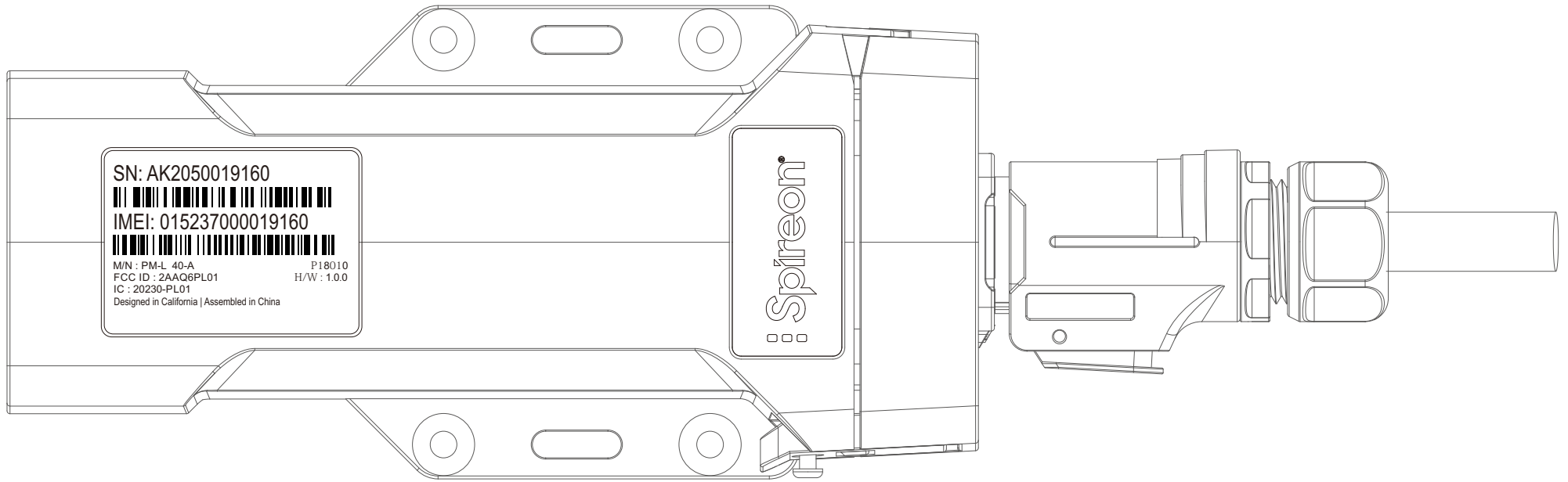


Puma Top Core Label(PM-L 40-A Series)



REV No.	GRID REF	DATE	CHANGE DESCRIPTION	DRAWN	CHKD



CLIENT: **M-LABS TECHNOLOGIES**

CLIENT CODE: -

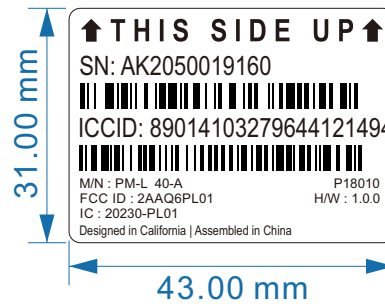
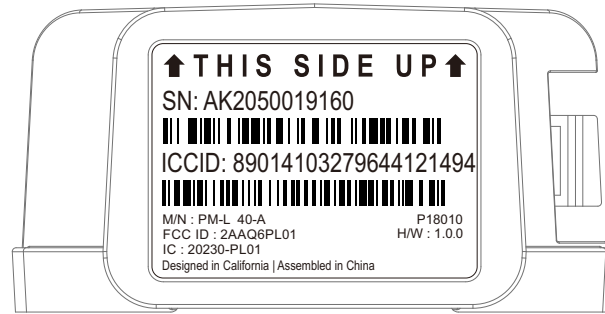
PROJECT: **PUMA-L TRACKER**

TITLE: **PUMA TOP CORE LABEL**

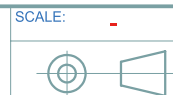
DRAWN:	SHEET: 1 OF 5
DRAWN DATE: 15-08-18	CHECKED: EDMUND
CAD FILE: -	GRADE: -
MATERIAL: -	COLOUR: -
FINISH: -	A4
DWG. No.:	REV No.: 1.0

Previous issues to this drawing must be destroyed. All rights strictly reserved and all designs remain the property of M-Labs Technologies, LLC until fully assigned. Reproduction or disclosure to third parties in any form whatsoever is not permitted without written authority from M-Labs Technologies, LLC.

Puma Rear Core Label



REV No.	GRID REF	DATE	CHANGE DESCRIPTION	DRAWN	CHKD



CLIENT:	M-LABS TECHNOLOGIES		DRAWN:	SHEET:	2 OF 5	
CLIENT CODE:	-		DRAWN DATE:	15-08-18	CHECKED:	EDMUND
PROJECT:	PUMA-L TRACKER		CAD FILE:	-		
TITLE:	PUMAREAR CORE LABEL		MATERIAL:	-		
			FINISH:	GRADE:		
			COLOUR:		A4	
			DWG. No.:		1.1	

Previous issues to this drawing must be destroyed. All rights strictly reserved and all designs remain the property of M-Labs Technologies, LLC until fully assigned. Reproduction or disclosure to third parties in any form whatsoever is not permitted without written authority from M-Labs Technologies, LLC.