

95 mm

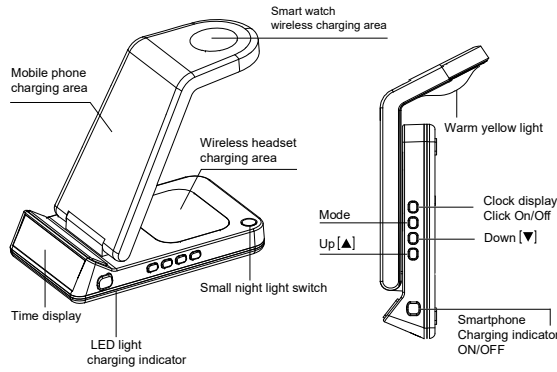
105 mm

USER MANUAL



3 IN 1 WIRELESS CHARGING STATION WITH NIGHT LIGHT & DIGITAL ALARM CLOCK

Diagram



1. When powered on, the indicator light will flash and then turn off, indicating that the product is on standby.
2. When placing the wireless charging phone separately in the phone charging area for charging, the colorful indicator light lights up and enters the charging state. Remove the charging product, the charging indicator light goes out, and the product enters the standby state.
3. **Remarks:** When the alarm goes off, it will continue until any button is pressed, or it will automatically turn off after 5 minutes.

Time Setting:

1. In time mode: Press and hold the [MODE] key for 2 seconds to enter the time setting state. The "hour" flashes. Press the [▲] key to adjust the "hour", press the [▼] key to adjust the "hour", again press the [MODE] key to set the "minute", press the [▲] key to adjust the "minute", and press the [▼] key to adjust the "minute"; Long press and hold the ▲ / ▼ key. You can quickly adjust the time division and then press the [MODE] key again to complete the time setting. If there is no operation for 10 seconds, it will automatically return to the time mode and maintain the settings before returning.

12/24 Hour Conversion:

1. In time mode: Press and hold the [▼] key to switch to the 12/24 hour system:
2. The "AM/PM" icon is displayed on the morning/afternoon of the 12 hour system

Alarm Settings:

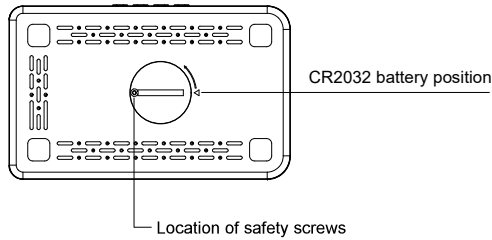
1. In time mode, short press the [Mode] key to switch to alarm mode. At this point, the "AL" icon will be displayed. Press and hold the [Mode] key for 2 seconds to enter your desired time setting state. The "hour" flashes, press the [▲] key to adjust it up (hour), and press the [▼] key to adjust it down. Short press the [Mode] key to set the "minute", press the [▲] key to adjust the "minute" upwards, press the [▼] key to adjust the "minute" downwards, and long press the ▲ / ▼ key to quickly adjust the time division setting and activate the alarm clock. Then again press the [Mode] key to complete the alarm, and the "▲" icon will light up.

2. In alarm mode, short press the [▲] key to turn the "▲" alarm on/off. After turning on the alarm clock, the "▲" icon will appear on any interface.

3. If there is no operation within 10 seconds, it will automatically return to time mode and keep the settings and alarm clock on or off before returning



Usage tips:



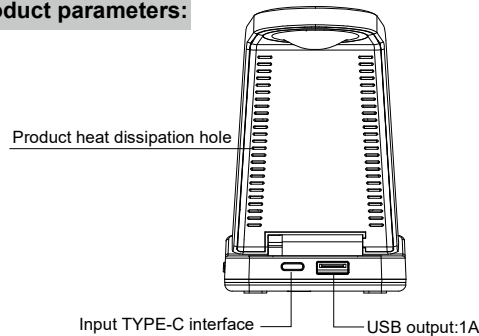
Battery installation:

• Before use, please use the corresponding screwdriver to open and install the CR2032 battery as standard in the product, and then start powering on and using this product.

galvanic action:

• The charger contains a CR2032 battery for time memory and only the time will remain active while the wireless charger is not plugged in.

Product parameters:



Specifications:

- Input TYPE-C interface Voltage: DC 5V 2A/9V 2A (QC 30W)
- PHONE Wireless Charger Output: 5W/7.5W/10W/15W
- AirPods Wireless Charger Output: 5W
- Apple Watch Wireless Charger Output: 3W
- USB-TYPE-C Cable length: 5FT/1.5M
- USB output: 1A
- Material: ABS+PC

Note: When using the wireless charger to charge 3 devices simultaneously, it is advisable to use a plug-in adapter above QC/ PD 30W to work at its best.

FAQ:

1. Is the phone not charging?
The phone may not properly be aligned with the charging coil or the wireless charger may not be plugged in properly
2. Heats up while charging?
It is normal for the charging coil to mildly heat up while charging a smartphone.
3. Phone charging intermittently
A. If the charging current of the adapter is not enough or the voltage is unstable, use a QC3.0 fast charging adapter to charge.
B. The charging position is not aligned, and the electromagnetic induction is not good. The charging position should be adjusted.

Matters needing attention

1. If the product is being used for fast charging, please use a UL or ETL certified 9V-2A (fast charging) power adapter. Use the included power cable for this product.
If the product is being used for standard charging, use a UL or ETL certified 5V-2A power adapter.
2. If the wireless charger is over heating while there are no devices charging, unplug it completely to cool down.

RMJ Group International declares that radio equipment **LAWC-2700** is in compliance with directive 2014/53/EU. The EU Declaration of conformity is available at: www.rmjgroup.com/docs



RMJ Group International LLC, Brooklyn, NY 11223

Made in China

FCC Warning:

This equipment has been tested and found to comply with the limits for a Class B digital device, pursuant to part 15 of the FCC Rules. These limits are designed to provide reasonable protection against harmful interference in a residential installation. This equipment generates, uses and can radiate radio frequency energy and, if not installed and used in accordance with the instructions, may cause harmful interference to radio communications. However, there is no guarantee that interference will not occur in a particular installation. If this equipment does cause harmful interference to radio or television reception, which can be determined by turning the equipment off and on, the user is encouraged to try to correct the interference by one or more of the following measures:

- Reorient or relocate the receiving antenna.
- Increase the separation between the equipment and receiver.
- Connect the equipment into an outlet on a circuit different from that to which the receiver is connected.
- Consult the dealer or an experienced radio/TV technician for help.

Caution: Any changes or modifications to this device not explicitly approved by manufacturer could void your authority to operate this equipment.

This device complies with part 15 of the FCC Rules. Operation is subject to the following two conditions: (1) This device may not cause harmful interference, and (2) this device must accept any interference received, including interference that may cause undesired operation.

The device has been evaluated to meet general RF exposure requirement.