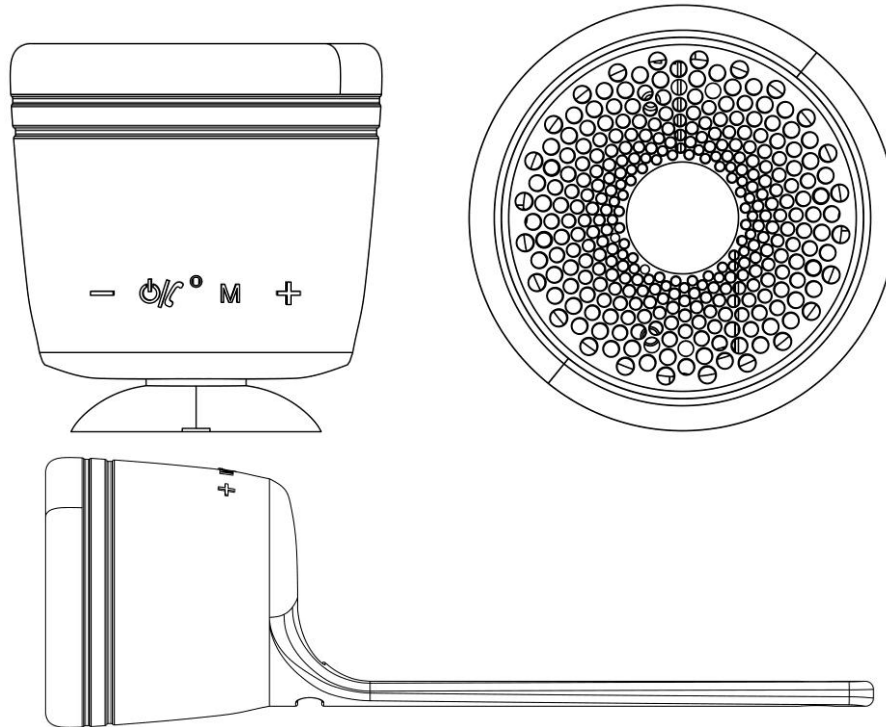


# User Guideline

## Appearance



### 1. Product Introduction


**Loop it, twist it or grip it. The waterproof BT speaker Slight weight, portable design is Ready for Anything. This waterproof Bluetooth speaker is built with a detachable tail, which can be looped, twisted, and gripped for endless mounting options. The tail is attached using the same platform as the Urchin, which makes this speaker mountable with all of the screw attachments already available for the R4A Urchin. Dish it out, the BT speaker can take it. allows you to stay connected to your friends and your music.**

## 2. Using Guideline



### I checking when you open the gift box

- Waterproof Bluetooth Speaker 1pcs
- Audio and Micro USB charging cable 1pcs
- User Guideline 1pcs

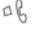
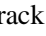
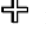

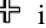
### Playing music on Bluetooth Mode:

Press the Power ON/OFF key  for 5 seconds, the shining blue LED indicates waterproof Bluetooth speaker waiting for pairing, choose the Bluetooth Name and connect; if remind you type the password, default password is :0000. When you hear “Du” , waterproof Bluetooth speaker is connected, you can enjoy the music from the Bluetooth device. If waterproof bluetooth speaker connect your mobile phone, also can have a hand-free function.

### Line In :

Turn on the speaker, connect the music player with the 3.5mm phone jack, you can easily to enjoy the music. Long-time pressing  is volume down, and long-time pressing  is volume up.

### Micro SD card reading and playing

Turn on the speaker, insert the Micro SD card which is stored MP3 music into the Micro SD card slot, the speaker will play the music in the Micro SD card. Short-time pressing  key is “Play/Pause”, short-time pressing,  is Track Previous. Short-time pressing  is Track Next. Long-time pressing  is volume down, and long-time pressing  is volume up.

### Charging for Diamond Speaker

Insert the Micro USB cable , connect with your computer or 5V USB adapter, when the red LED indicator is on, it means charging, when the battery is full , the red LED indicator will be off.

## Specifications

- Support Micro SD card playing,Support MP3 Format playing
- Built-in Lithium battery : 3.7V , 400mAh
- Charging Voltage : 5V
- Speaker: 40mm 4Ohm 3W
- Frequency : 60Hz-18KHz
- Distortion :  $\leq 0.5\%$
- Size: 67×70MM/205MM with tail
- Bluetooth range: 10meters
- Waterproof grade: IP65

### 3. Remind

This machine waterproof grade is IP65, when you drop it into water, should screw the bottom cup toughly, otherwise will damage this speaker! Thanks!

### 4. Product Maintenance

Avoid the corrosive liquids and gas, should not be placed on the bumpy motion, high temperature, humidity place. Clean the dust by the soft cloth, if stains, clean without the strong chemical solvent cleaning.

### Troubleshooting

Normal Problem	Reason	How to solve
----------------	--------	--------------

When charging the speaker, red LED indicator is not on	Whether USB cable is connected correctly	Check USB cable whether it is connected correctly. Check the Power supply is working or not.
Bluetooth speaker blue LED is not shining	Shortage of battery	Please charge the battery!
Blue LED is shining, but no sound come out	3,5mmAudio cable is connected or not. Volume is the most small	Check whether it is connected with original device playing music. Check the sound volume
Bluetooth device can not find the Diamond Bluetooth speaker	Is it power on? Effective range is over 10meters	Check the Bluetooth speaker whether it is power on or not; check the distance whether it is in 10meters or not
Can not connect the Bluetooth speaker	Already connected by other Bluetooth device	Dis-connect the device and connect again.

**If can not be solved above, please contact the authorized distributor in time.**

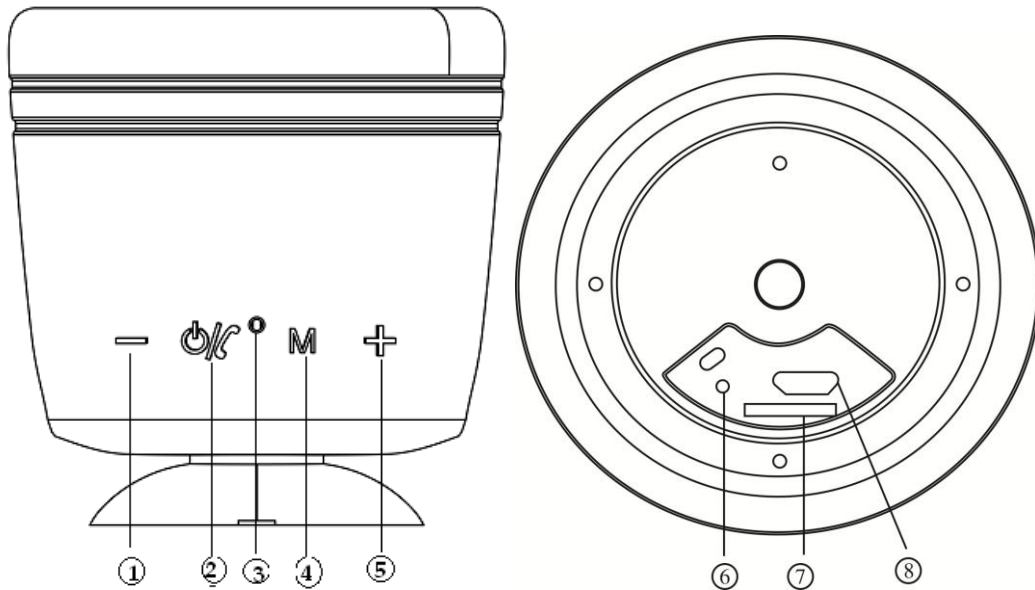
## 5. Warranty

The product warranty period is 1-years starts on the date of the purchase.

Warranty is voided under use that cannot be considered as “normal” or due to any of the following circumstances.

- Any type of modification or attempt to repair the unit that is not carried out by a technician authorized by KINGTREND TECHNOLOGY (HK) Limited
- Malfunction of unit due to moisture, humidity or any type of liquid.
- Malfunction due to drop, abuse or similar of unit
- Malfunction due to connection to a power source other than: USB  $5V\pm 0.5v$

## 6. Overview



- ① **Previous**, short time pressing, playing previous song, long time pressing, **Volume down**
- ② **Power On/Off**, Long time pressing, Power On/Off, when playing music, Short time pressing, **Play/Pause**
- ③ **MIC**
- ④ **Mode Key**, short time pressing switch SD/LINE-IN/BT function, under hand-free status, long time pressing will refuse receiving the calling
- ⑤ **Next**, short time pressing, playing next song, long time pressing, **volume up**
- ⑥ **Reset Hole**
- ⑦ **Micro SD card slot**
- ⑧ **Charing/Line-In**

This device complies with part 15 of the FCC Rules. Operation is subject to the following two conditions: (1) This device may not cause harmful interference, and (2) this device must accept any interference received, including interference that may cause undesired operation.

Any Changes or modifications not expressly approved by the party responsible for compliance could void the user's authority to operate the equipment.

**Note:** This equipment has been tested and found to comply with the limits for a Class B digital device, pursuant to part 15 of the FCC Rules. These limits are designed to provide

reasonable protection against harmful interference in a residential installation. This equipment generates uses and can radiate radio frequency energy and, if not installed and used in accordance with the instructions, may cause harmful interference to radio communications. However, there is no guarantee that interference will not occur in a particular installation. If this equipment does cause harmful interference to radio or television reception, which can be determined by turning the equipment off and on, the user is encouraged to try to correct the interference by one or more of the following measures:

- Reorient or relocate the receiving antenna.
- Increase the separation between the equipment and receiver.
- Connect the equipment into an outlet on a circuit different from that to which the receiver is connected.
- Consult the dealer or an experienced radio/TV technician for help.

RF warning for Mobile device:

This equipment complies with FCC radiation exposure limits set forth for an uncontrolled environment. This equipment should be installed and operated with minimum distance 20cm between the radiator & your body.